

# alca

**Product catalogue 2026/2027**

Sanitary systems

System walls



**INTERNATIONALLY RECOGNIZED DESIGN**

Alca is a trendsetter in the world of design. This is confirmed by the awards, which the company has received in recent years. In 2024, we got the second Red Dot award, this time for the series of flush plates Linka and Dot.Dot. The collection also appealed to the jury of the iF Design Award competition in the same year. Alca has also won awards for its WC flush plates in previous years, specifically the Red Dot in 2014 and the iF Design Award in 2018. However, not only flush plates are successful in design competitions, our invisible outdoor drainage channel solution impressed the judges at the ISH trade fair and they awarded it the Design Plus ISH 2023.



**LEGEND**

Products from recycled material	WC seat slow-closing safety system
Flushing system 2/4 l	two-sided grid
WC tablets dispenser	Combined odour trap SMART
System with connector for extraction fan	Maximum load up to 1,5 t
Top actuation	Maximum load up to 12,5 t
For bidet and wall-hung WC	Maximum load up to 25 t
Material with antibacterial properties	Maximum load up to 40 t
Extended guarantee	For outdoor use
For wooden construction houses	For interior use
Height adjustable partitions	For use indoors and outdoors
One-button START/STOP flushing system	Hole diameter in shower tray
Two-button DUAL 3/6 l flushing system	Availability
Simple WC seat removal system	

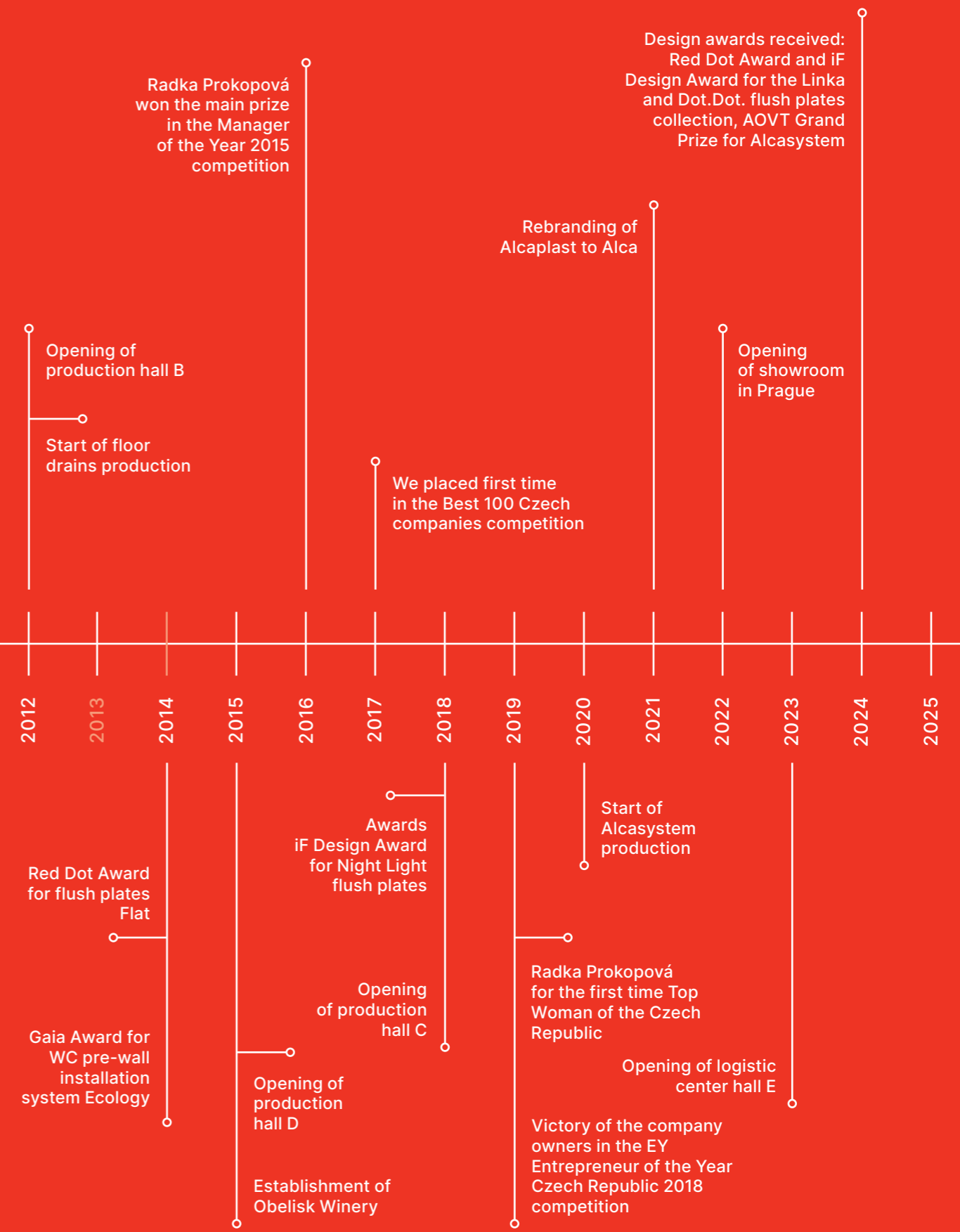
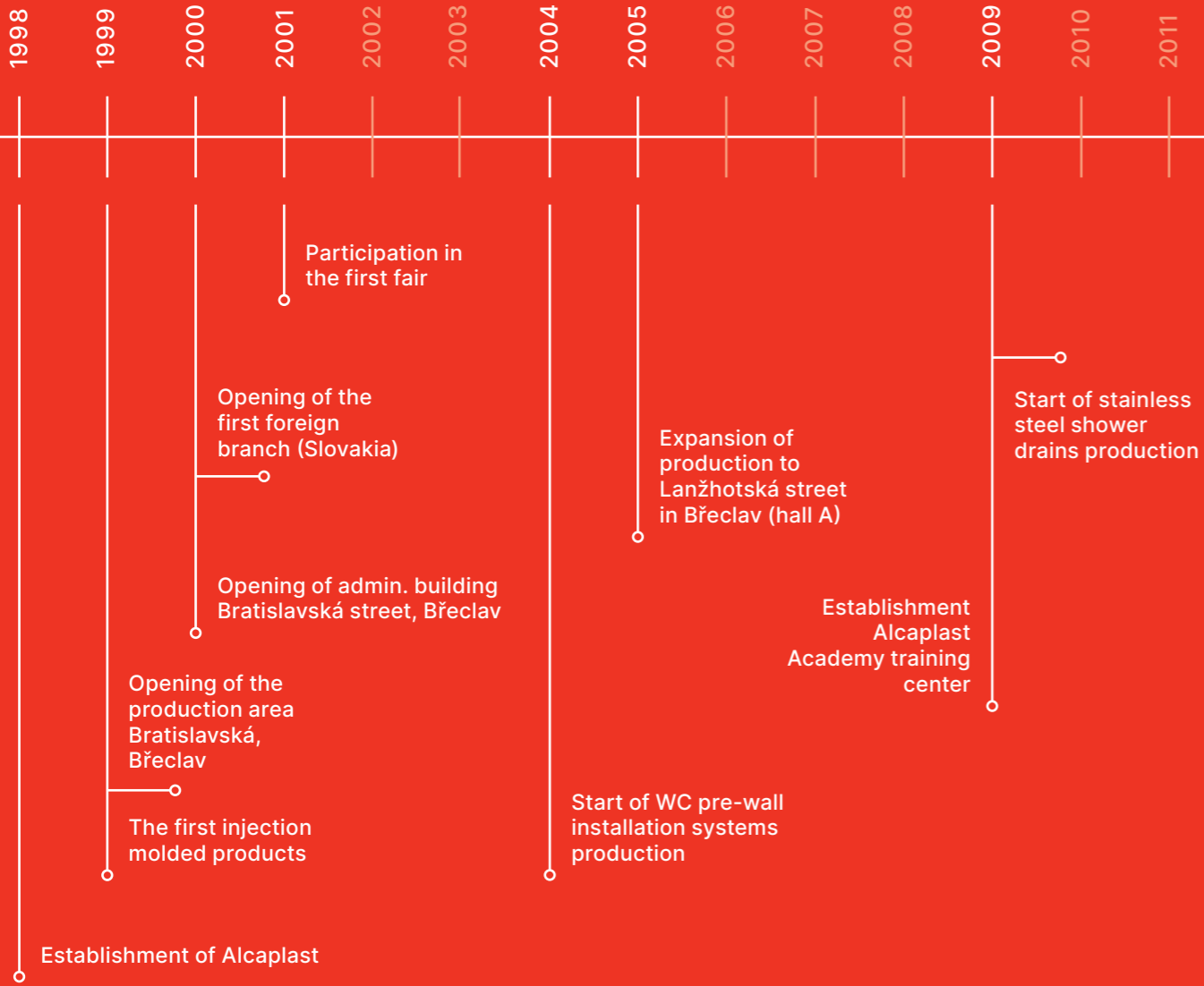
# Content

<b>ALCASYSTEM</b> _____ <b>9</b>	<b>WASTES AND TRAPS</b> _____ <b>159</b>
Alcasystem – profiles _____ 12	Products from recycled material _____ 161
Alcasystem – connectors and anchors _____ 12	Bath wastes and traps _____ 162
Alcasystem – accessories _____ 13	Bath waste and traps – accessories _____ 169
Alcasystem – WC systems and mounting frames _____ 14	Shower wastes and traps _____ 170
Alcasystem – sets _____ 15	Wash-basin wastes and traps _____ 175
<b>PRE-WALL INSTALLATION SYSTEMS</b> _____ <b>17</b>	Metal program _____ 177
Pre-wall installation systems _____ 18	Sink wastes and traps _____ 183
Sanitary ware _____ 32	Wash-basin and sink wastes and traps – accessories _____ 188
Pre-wall installation systems – accessories _____ 33	Urinal and bidet traps _____ 191
Insulation boards _____ 37	Traps for household appliances _____ 192
Mounting frames for plumbing fixtures _____ 39	Appliance traps – accessories _____ 194
<b>FLUSH PLATES AND SENSORS</b> _____ <b>45</b>	<b>FLEXI PIPES</b> _____ <b>197</b>
Basic – Entry Product Line _____ 48	Flexi pipes _____ 198
Thin – Design Product Line _____ 48	Flexi pipes – accessories _____ 199
Flat – Premium Product Line _____ 49	<b>WC ACCESSORIES</b> _____ <b>201</b>
Special _____ 50	WC flexi connectors _____ 202
<b>VALVES AND EXPOSED PLASTIC WC CISTERNS</b> _____ <b>55</b>	WC connectors _____ 202
Fill valves _____ 58	Air admittance heads _____ 204
Flush valves _____ 59	Bath access doors _____ 205
Plastic WC cisterns _____ 61	<b>PRODUCT LINES</b> _____ <b>206</b>
Fill and flush kits _____ 61	Program Individual _____ 206
Valves and plastic WC cisterns – accessories _____ 64	Program Black-matt _____ 208
<b>WC SEATS</b> _____ <b>67</b>	Program White-polished _____ 210
WC seats _____ 74	Program Brass _____ 212
WC seats Basic _____ 74	<b>PRODUCT NEWS 2026</b> _____ <b>213</b>
WC seats Duroplast _____ 74	<b>INDEX</b> _____ <b>224</b>
WC seats Duroplast Softclose _____ 75	
WC seats Slim _____ 76	
WC seats – hinges _____ 77	
<b>SHOWER DRAINS</b> _____ <b>81</b>	
Stainless steel shower drains _____ 84	
Plastic shower drains _____ 100	
Stainless steel strips for sloped floor _____ 115	
Custom-made stainless steel shower drains _____ 116	
<b>OUTDOOR DRAINAGE SYSTEM</b> _____ <b>119</b>	
Outdoor drain channels _____ 122	
Outdoor drain channels – accessories _____ 123, 133	
Universal rain drums _____ 134	
Universal rain drums – accessories _____ 135	
Drainage channels _____ 136	
<b>FLOOR DRAINS</b> _____ <b>145</b>	
Stainless steel floor drains _____ 146	
Plastic floor drains with stainless steel grids _____ 147	
Plastic floor drains with design grids _____ 151	
Plastic floor drains with plastic grids _____ 152	
Floor drains – accessories _____ 154	
Waterproofing foil _____ 156	

# Alca in facts and figures

From a garage to a manufacturing giant in Central and Eastern Europe. Alca has grown from a small company, initially operated by František Fabiřovic in Břeclav – Charvátská Nová Ves, into a business that now operates on 110,000 m<sup>2</sup> site, with 9 international branches, its own showroom in Prague and a product portfolio of over 1,000 products. Alca is constantly growing and transforming. The timeline shows the company development from its establishment to the present.

- 1** Production plant
- 750** Employees
- 70** Export countries
- 6** Foreign branches
- 1000** Products
- 100%** Czech capital
- 2** Foreign regions





# ESG

## Responsibility towards nature and society

At Alca, we are aware of our responsibility towards the environment and society. We actively seek to minimize our impact and sustainability is a core value that influences every aspect of our operations. Our vision is to create quality products that respect the needs of future generations.



### ENERGY RECOVERY

Among our efficiency measures, we are implementing energy recovery units in newly established production lines. Energy recovery is thus the next step in our quest to achieve maximum energy efficiency and sustainability within our operations.



### WASTE RECYCLING

We focus on ecological sustainability and efficient waste recycling. We regranulate plastic waste from the primary production process and reuse it in manufacturing, while metal waste is sent for recycling, reducing the need for new raw materials and minimizing environmental impact.



### COGENERATION UNITS

Alca implements a wide range of energy-saving measures, including efficient heating solutions. Heating the production halls with waste heat from molding machines, combined with several cogeneration units, exemplifies environmentally friendly industrial manufacturing.



### USE OF RECYCLED MATERIAL

We have set a clear goal – to minimize the impact of our business on the planet. We focus on using recycled plastics, giving new life to materials that would otherwise end up as waste. We design our products with a long durability in mind and pack them in eco-friendly packaging that can be easily recycled. Each step on this journey brings us closer to a more sustainable future that we want to create for generations to come.



### GAME RESERVE OBELISK

Implementation of a unique landscaping project, which restored lost water in the soil and returned home to hundreds of plant and animal species. Work whose importance intervened and recognized academics and whose scope will affect generations to come. That's Game Reserve Obelisk.



### DEVELOPMENT OF EDUCATION AT SECONDARY SCHOOLS

Alca is aware of the financial challenges faced by the school apprenticeship system, which is why it focuses on equipping secondary schools and vocational schools with plumbing workshops, where students can get hands-on experience with sanitary technology and acquire the necessary skills.



### PHOTOVOLTAIC PANELS

In 2023, we took a significant step towards energy self-sufficiency and sustainability. Photovoltaic panels were installed on all the roofs of the Alca production facility in Břeclav, contributing to a reduction in energy consumption and enabling us to harness renewable energy directly from nature. Furthermore, we have extended photovoltaic installations to the roofs of Obelisk Winery and Obelisk Game Reserve, supporting their transition toward more sustainable operations. These steps are part of our long-term commitment to sustainability and environmental responsibility.



### EMPLOYEE CARE

Having satisfied employees is important to us. In addition to a competitive salary and a modern working environment, we offer benefits such as fun events and an emphasis on safety. We provide quality equipment, training and ensure compliance with safety regulations so that everyone feels safe at work.



### SOCIAL SUPPORT

We bring hope, love and help where it is most needed. We cooperate with the foundation Be Charity and actively support, for example, the Křižovatka Foundation, Zdravotní Klau, the Children's Laugh Foundation, and the Břeclav Regional Charity.

# Alcasystem

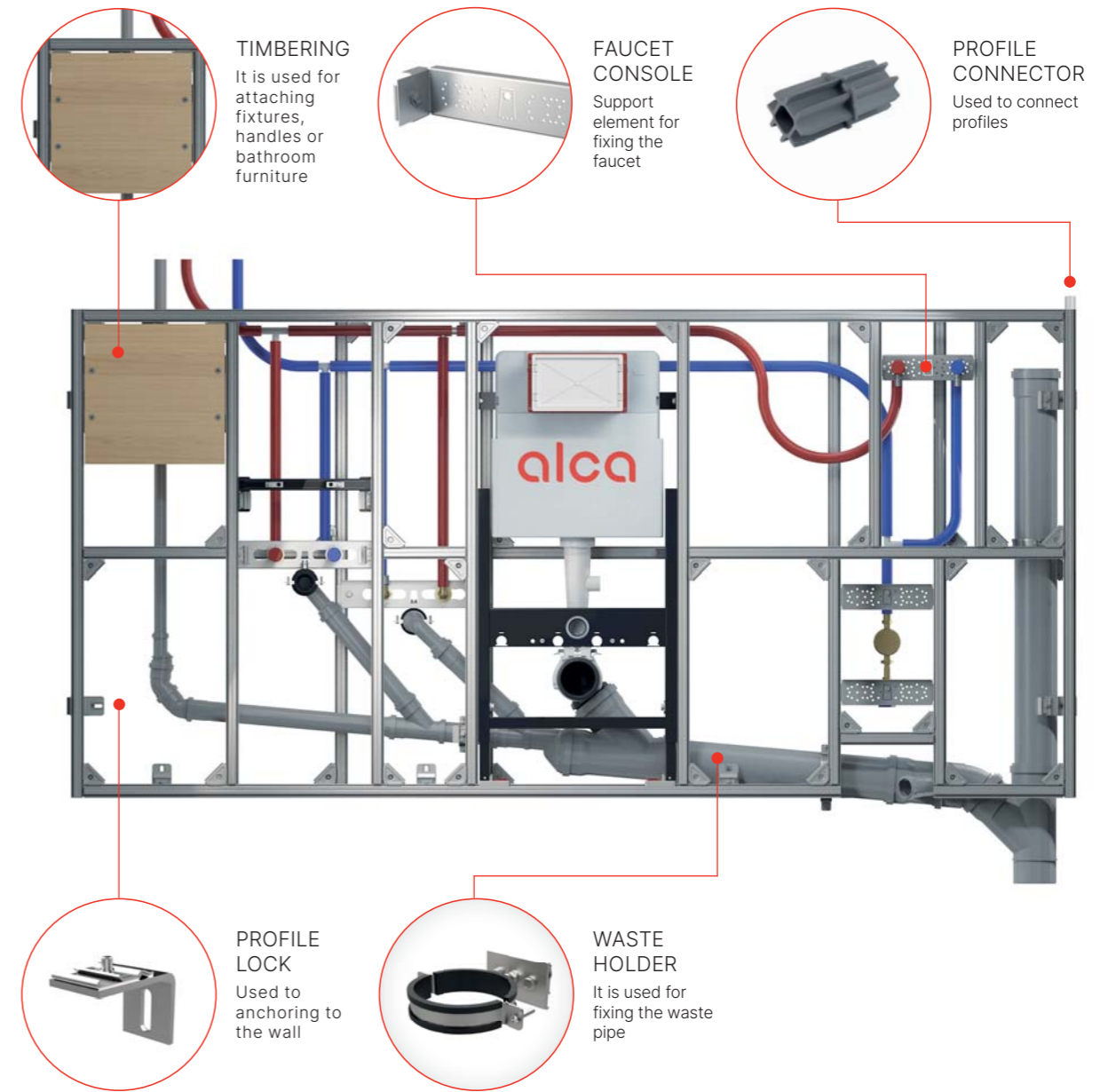
Alcasystem	10
Alcasystem – profiles	12
Alcasystem – connectors and anchors	12
Alcasystem – accessories	13
Alcasystem – WC systems and mounting frames	14
Alcasystem – sets	15



VIDEO



# Alcasystem – system walls



 **MEETS THE REQUIREMENTS OF EU STANDARDS**

up to **40 %** lighter than brick construction

- **Fast and clean construction**
- **Low weight, high solidity**
- **High load-bearing capacity of the wall**
- **Own production and stock**
- **Perfectly precise and straight walls**

The extended warranty of 15 years applies to the installation of the entire system Alca (including water distribution and installation frames) by a specialized company.

**Alcasystem** is technical solution from one supplier for your building.


It opens up a new possibility of realization, whether it is a small project or a large construction. Acceleration of construction, sophisticated technology and cost savings.

**A wall up to 4.5 meters high and arbitrarily wide can be built from three basic elements \***

Even a less qualified worker without extensive construction experience can handle it. We can also assemble the pre-wall for you and deliver it to the construction site.

**DEVELOPED AND TESTED**

**KNAUF** **iBMB** **MPA**  
TU BRAUNSCHWEIG

\* Technical manual at [www.alcadrain.com/en/qr/as-manual](http://www.alcadrain.com/en/qr/as-manual)

**AS-4500**  
System profile 4.5 m



Quantity (packing)	25 pcs
Quantity (pallet)	- pcs
Material	galvanized steel

**AS-P001**  
Corner connector



Quantity (packing)	100 pc
Quantity (pallet)	- pcs
Material	galvanized steel

**AS-P002**  
Profile connector



Quantity (packing)	30 pc
Quantity (pallet)	- pcs
Material	polyamide (PA)

**AS-P014**  
Profile holder, double 241 mm



Quantity (packing)	20 pcs
Quantity (pallet)	- pcs
Material	galvanized steel

**AS-P015**  
Profile lock



Quantity (packing)	40 pcs
Quantity (pallet)	- pcs
Material	galvanized steel

**AS-P016**  
Profile holder, simple 222 mm



Quantity (packing)	20 pcs
Quantity (pallet)	- pcs
Material	galvanized steel

**AS-P003**  
Handle washer



Quantity (packing)	100 pc
Quantity (pallet)	- pcs
Material	rubber

**AS-P004**  
Waste pipe holder for WC systems DN110



Quantity (packing)	20 pc
Quantity (pallet)	- pcs
Material	galvanized steel

**AS-P005, AS-P105, AS-P205, AS-P305**  
Pipe holder DN25–30, DN40–46, DN48–53, DN72–78



Quantity (packing)	10 pc
Quantity (pallet)	- pcs
Material	galvanized steel

**AS-P018**  
Profile lock – extended 186 mm



Quantity (packing)	20 pcs
Quantity (pallet)	- pcs
Material	galvanized steel

**AS-P215**  
Profile lock – extended 347 mm

**AS-P021**  
Showerhead console



Quantity (packing)	20 pcs
Quantity (pallet)	- pcs
Material	galvanized steel

**AS-P124**  
Installation frame for concealed washing machine trap for connection of two appliances



Quantity (packing)	1 pcs
Quantity (pallet)	- pcs
Material	-

**AS-P011**  
Profile holder, simple 150 mm



Quantity (packing)	30 pcs
Quantity (pallet)	- pcs
Material	galvanized steel

**AS-P012**  
Profile holder, simple 85 mm



Quantity (packing)	50 pcs
Quantity (pallet)	- pcs
Material	galvanized steel

**AS-P013**  
Profile holder, double 186 mm



Quantity (packing)	20 pcs
Quantity (pallet)	- pcs
Material	galvanized steel

**AS-P023**  
Console for fixing washbasin and urinal



Quantity (packing)	1 pcs
Quantity (pallet)	- pcs
Material	-

**AS-P025**  
Console for water inlet and waste



Quantity (packing)	1 pcs
Quantity (pallet)	- pcs
Material	-

**AS-P031**  
L-Profile for fillings 200 mm



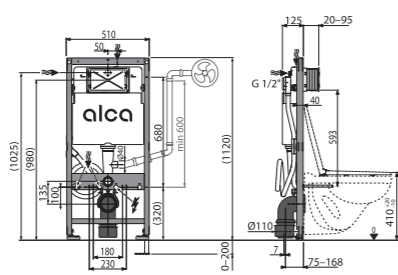
Quantity (packing)	20 pcs
Quantity (pallet)	- pcs
Material	galvanized steel

**AS-P041**  
Anchoring flap



Quantity (packing)	5 pcs
Quantity (pallet)	- pcs
Material	galvanized steel

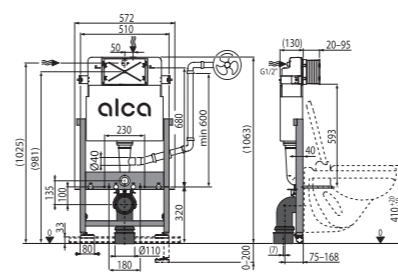
**AS120/1120 Sádromodul** new  
Pre-wall installation system for toilets with bidet function



Quantity (packing)	1 pc
Quantity (pallet)	20 pcs
Dimensions (packing)	1130×520×145 mm
Weight (packing)	9.2968 kg
Installation height	1120 mm



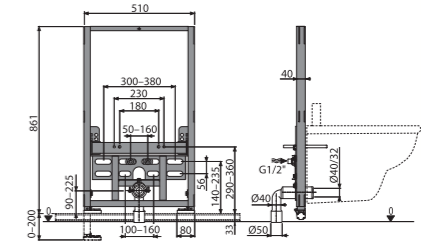
**AS101 Sádromodul**  
Pre-wall installation system for dry build up (plasterboard)



Quantity (packing)	1 pc
Quantity (pallet)	20 pcs
Dimensions (packing)	1177×575×132 mm
Weight (packing)	12.9715 kg
Installation height	1037 mm



**AS105/850**  
Mounting frame for bidet



Quantity (packing)	1 pc
Quantity (pallet)	18 pcs
Dimensions (packing)	1190×523×90 mm
Weight (packing)	11.9276 kg
Installation height	850 mm



## Special WC system for mounting to Alcasystem



**ATTACHMENT OF THE WC CISTERN TO THE STRUCTURE**

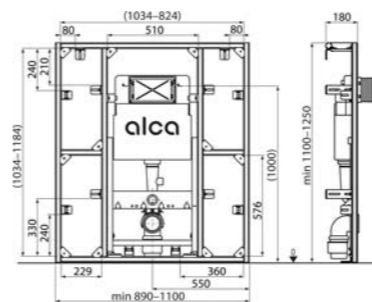


**FIXING THE FRAME USING A CORNER COUPLING**



**CLICK SYSTEM – SIMPLE FASTENING BY CLICKING**

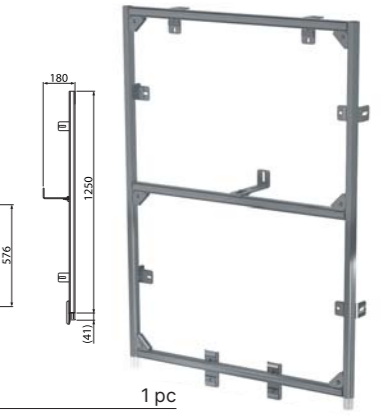
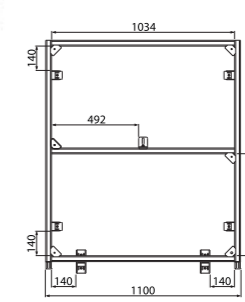
**AS101-SET01, AS101-SET01-PR \***  
System wall + Pre-wall installation system



Quantity (packing)	1 pc
Quantity (pallet)	- pcs
Dimensions (packing)	1100×1250×180 mm
Weight (packing)	30.05 kg
Installation height	1250 mm



**AS101-SET02, AS101-SET02-PR \***  
System wall



Quantity (packing)	1 pc
Quantity (pallet)	- pcs
Dimensions (packing)	1100×1250×180 mm
Weight (packing)	10.4611 kg
Installation height	1250 mm



\* PR in the product code means already assembled prefabricated wall

### OVERVIEW OF ALCASYSTEM COMPONENTS FOR THE INSTALLATION OF WASHBASIN AND URINAL

Wash-basin			Urinal		
Code	Number of pcs		Code	Number of pcs	
AS-P023	1x		AS-P023	1x	
AS-P025	1x		AS-P025	2x	
AS-4500	1x		AS-4500	1x	
AS-P001	6x		AS-P001	6x	
AS-P012	6x	AS-P012	6x		



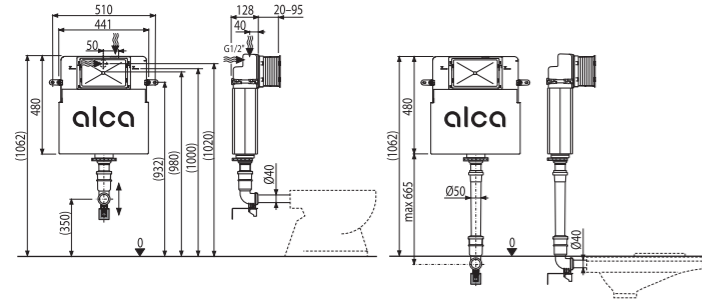
# Pre-wall installation systems

Pre-wall installation systems	18
Pre-wall installation systems for wooden construction houses	23
Pre-wall installation systems Ecology	24
Pre-wall installation systems Slim	25
Pre-wall installation systems with reinforcing fibreglass mesh	26
Pre-wall installation systems with top or front actuation	27
Pre-wall installation systems for people with reduced mobility	28
Pre-wall installation systems with national certification	29
Sanitary ware	32
Pre-wall installation systems – accessories	33
Insulation boards	37
Mounting frames for plumbing fixtures	39

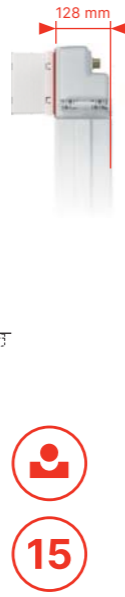


VIDEO

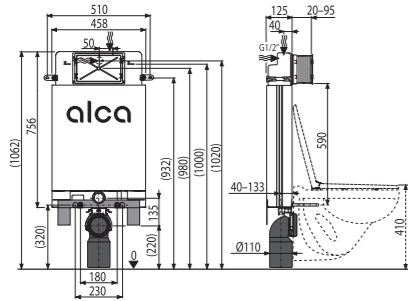
**AM112 Basicmodul**  
Wall concealed WC cistern



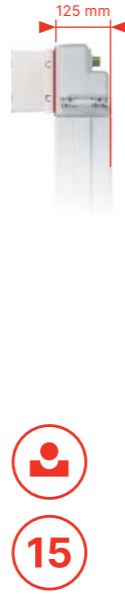
Quantity (packing)	1 pc
Quantity (pallet)	20 pcs
Dimensions (packing)	1050×480×140 mm
Weight (packing)	4.8719 kg
Small/big flush	2,5-3,5 l/6-9 l
Installation height	1062 mm



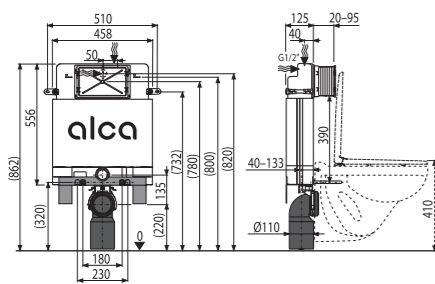
**AM100/1000 Alcamodul**  
Pre-wall installation system for building into solid walls



Quantity (packing)	1 pc
Quantity (pallet)	20 pcs
Dimensions (packing)	1045×140×475 mm
Weight (packing)	7.4299 kg
Small/big flush	2,5-3,5 l/6-9 l
Installation height	1062 mm



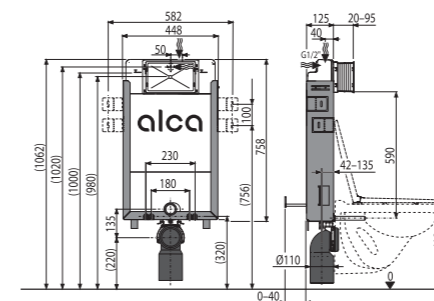
**AM100/850 Alcamodul**  
Pre-wall installation system for building into solid walls



Quantity (packing)	1 pc
Quantity (pallet)	20 pcs
Dimensions (packing)	1045×140×475 mm
Weight (packing)	7.0327 kg
Small/big flush	2,5-3,5 l/6-9 l
Installation height	862 mm



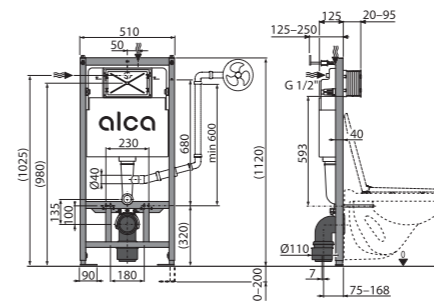
**AM115/1000 Renovmodul**  
Pre-wall installation system for building into solid walls



Quantity (packing)	1 pc
Quantity (pallet)	20 pcs
Dimensions (packing)	1045×140×475 mm
Weight (packing)	9.9307 kg
Small/big flush	2,5-3,5 l/6-9 l
Installation height	1062 mm



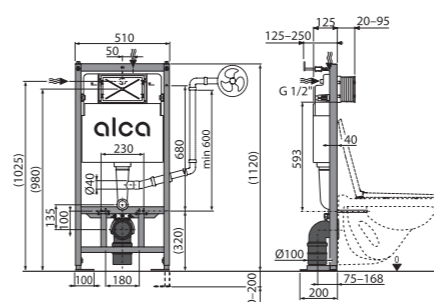
**AM101/1120 Sádromodul**  
Pre-wall installation system for dry build up (plasterboard)



Quantity (packing)	1 pc
Quantity (pallet)	20 pcs
Dimensions (packing)	1130×145×520 mm
Weight (packing)	13.8593 kg
Small/big flush	2,5-3,5 l/6-9 l
Installation height	1120 mm



**AM101/1120F Sádromodul**  
Pre-wall installation system for dry build up (plasterboard)

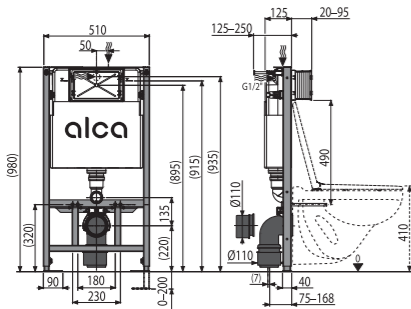


Quantity (packing)	1 pc
Quantity (pallet)	20 pcs
Dimensions (packing)	1130×145×520 mm
Weight (packing)	14.707 kg
Small/big flush	2,5-3,5 l/6-9 l
Installation height	1120 mm



**AM101/1000 Sádromodul**

Pre-wall installation system for dry build up (plasterboard)

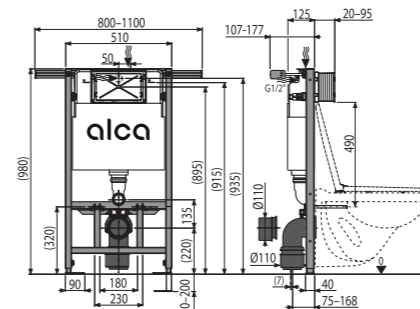


Quantity (packing)	1 pc
Quantity (pallet)	20 pcs
Dimensions (packing)	1130×145×520 mm
Weight (packing)	13.7147 kg
Small/big flush	2,5-3,5 l/6-9 l
Installation height	1062 mm



**AM102/1000 Jádromodul**

Pre-wall installation system for dry build up (especially for renovation of concrete panel housing units)

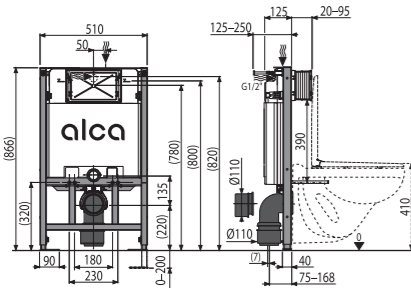


Quantity (packing)	1 pc
Quantity (pallet)	15 pcs
Dimensions (packing)	1130×145×520 mm
Weight (packing)	15.9829 kg
Small/big flush	2,5-3,5 l/6-9 l
Installation height	980 mm



**AM101/850 Sádromodul**

Pre-wall installation system for dry build up (plasterboard)

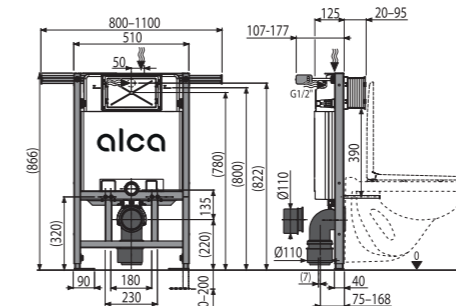


Quantity (packing)	1 pc
Quantity (pallet)	15 pcs
Dimensions (packing)	1130×145×520 mm
Weight (packing)	13.08 kg
Small/big flush	2,5-3,5 l/6-9 l
Installation height	866 mm



**AM102/850 Jádromodul**

Pre-wall installation system for dry build up (especially for renovation of concrete panel housing units)

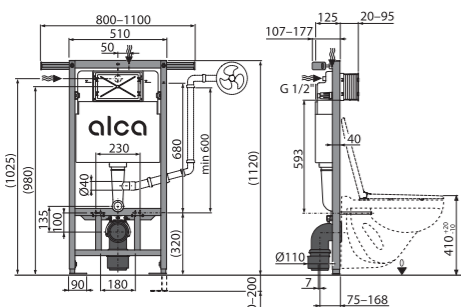


Quantity (packing)	1 pc
Quantity (pallet)	15 pcs
Dimensions (packing)	1130×145×520 mm
Weight (packing)	15.6493 kg
Small/big flush	2,5-3,5 l/6-9 l
Installation height	866 mm



**AM102/1120 Jádromodul**

Pre-wall installation system for dry build up (especially for renovation of concrete panel housing units)

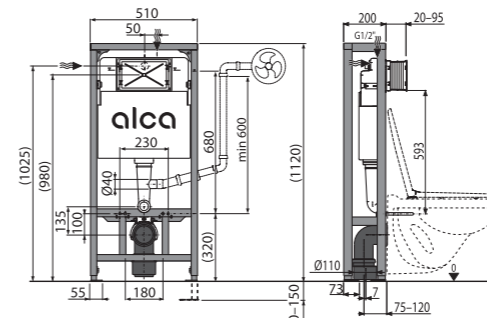


Quantity (packing)	1 pc
Quantity (pallet)	15 pcs
Dimensions (packing)	1130×145×520 mm
Weight (packing)	16.1679 kg
Small/big flush	2,5-3,5 l/6-9 l
Installation height	1120 mm



**AM116/1120 Solomodul**

Pre-wall installation system for dry build up (freestanding)

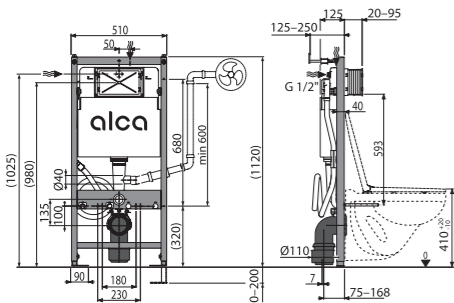


Quantity (packing)	1 pc
Quantity (pallet)	12 pcs
Dimensions (packing)	1195×220×525 mm
Weight (packing)	20.8917 kg
Small/big flush	2,5-3,5 l/6-9 l
Installation height	1120 mm



**AM120/1120 Sádromodul**

Pre-wall installation system for toilets with bidet function

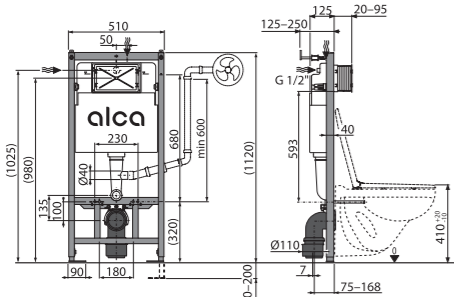


Quantity (packing)	1 pc
Quantity (pallet)	15 pcs
Dimensions (packing)	1130×520×145 mm
Weight (packing)	14.1511 kg
Small/big flush	2,5–3,5 l/6–9 l
Installation height	1120 mm



**AM121/1120 Sádromodul**

Pre-wall installation system with integrated hygienic pipe flushing function

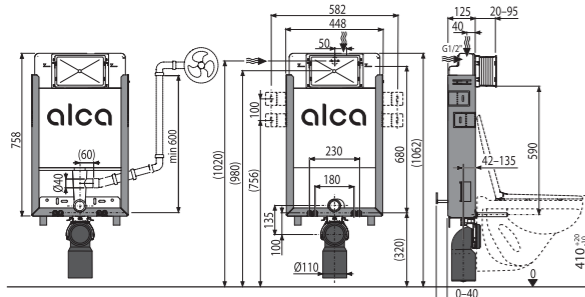


Quantity (packing)	1 pc
Quantity (pallet)	20 pcs
Dimensions (packing)	1130×145×520 mm
Weight (packing)	13.8879 kg
Small/big flush	2,5–3,5 l/6–9 l
Installation height	1120 mm



**AM115/1000V Renovmodul**

Pre-wall installation system with ventilation for building into solid walls

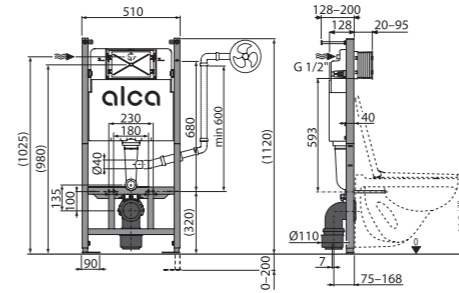


Quantity (packing)	1 pc
Quantity (pallet)	20 pcs
Dimensions (packing)	1045×140×475 mm
Weight (packing)	9.9458 kg
Small/big flush	2,5–3,5 l/6–9 l
Installation height	1062 mm



**AM122/1120D Sádromodul**

Pre-wall installation system for dry build up (plasterboard), split frame

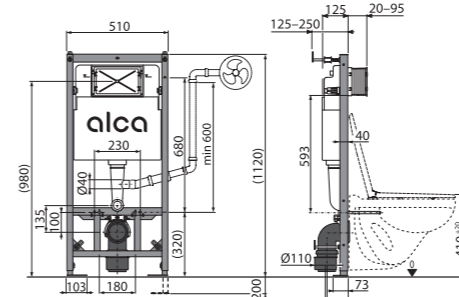


Quantity (packing)	1 pc
Quantity (pallet)	20 pcs
Dimensions (packing)	1130×145×520 mm
Weight (packing)	16.4344 kg
Small/big flush	2,5–3,5 l/6–9 l
Installation height	1120 mm



**AM101/1120W Sádromodul**

Pre-wall installation system for dry build up (plasterboard)

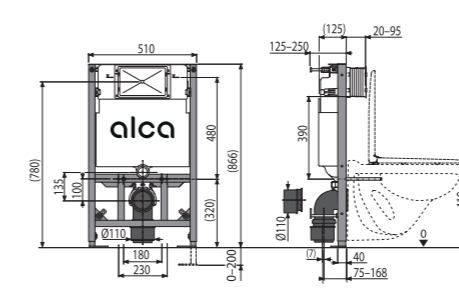


Quantity (packing)	1 pc
Quantity (pallet)	15 pcs
Dimensions (packing)	1130×145×520 mm
Weight (packing)	14.3208 kg
Small/big flush	2,5–3,5 l/6–9 l
Installation height	1120 mm



**AM101/850W Sádromodul**

Pre-wall installation system for dry build up (plasterboard)

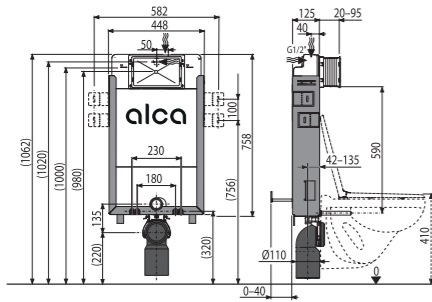


Quantity (packing)	1 pc
Quantity (pallet)	15 pcs
Dimensions (packing)	1130×145×520 mm
Weight (packing)	14.0995 kg
Small/big flush	2,5–3,5 l/6–9 l
Installation height	866 mm



**AM115/1000E Renovomodul**

Pre-wall installation system Ecology for building into solid walls

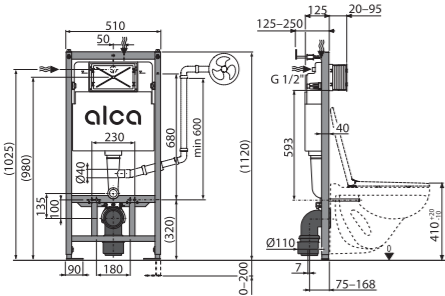


Quantity (packing)	1 pc
Quantity (pallet)	20 pcs
Dimensions (packing)	1045×140×475 mm
Weight (packing)	9.8327 kg
Small/big flush	2-4 l/3,5-6 l
Installation height	1062 mm



**AM101/1120E Sádromodul**

Pre-wall installation system Ecology for dry build up (plaster-board)

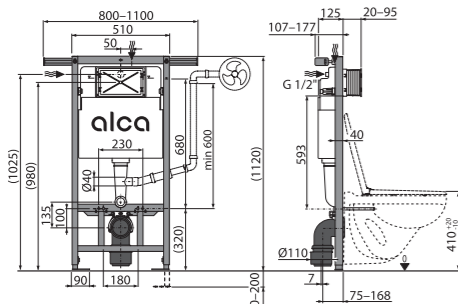


Quantity (packing)	1 pc
Quantity (pallet)	15 pcs
Dimensions (packing)	1130×145×520 mm
Weight (packing)	13.6405 kg
Small/big flush	2-4 l/3,5-6 l
Installation height	1120 mm



**AM102/1120E Jádromodul**

Pre-wall installation system Ecology for dry build up (especially for renovation of concrete panel housing units)

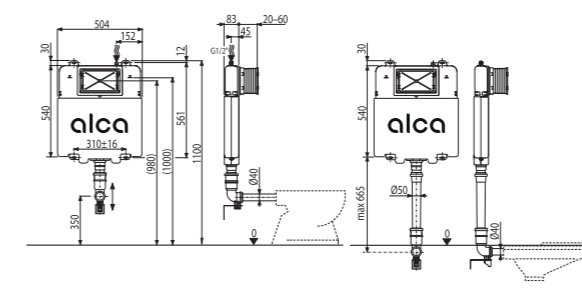


Quantity (packing)	1 pc
Quantity (pallet)	15 pcs
Dimensions (packing)	1130×145×520 mm
Weight (packing)	16.2582 kg
Small/big flush	2-4 l/3,5-6 l
Installation height	1120 mm



**AM1112 Basicmodul Slim**

Wall concealed WC cistern

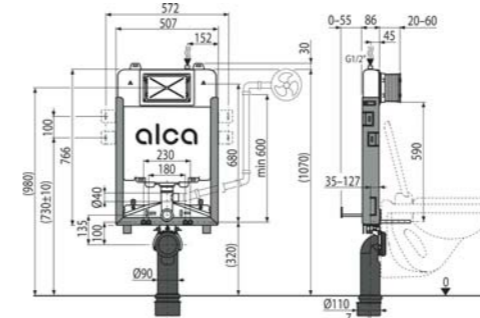


Quantity (packing)	1 pc
Quantity (pallet)	25 pcs
Dimensions (packing)	965×515×110 mm
Weight (packing)	5.1675 kg
Small/big flush	3 l/6 l
Installation height	1100 mm



**AM1115/1000 Renovomodul Slim**

Pre-wall installation system for building into solid walls

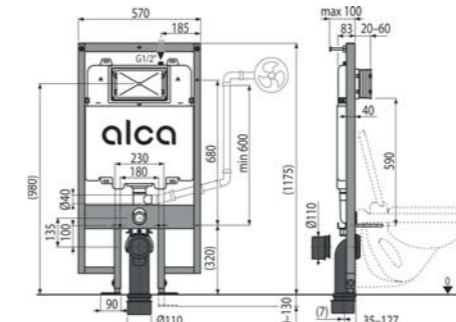


Quantity (packing)	1 pc
Quantity (pallet)	20 pcs
Dimensions (packing)	1086×528×145 mm
Weight (packing)	9.9544 kg
Small/big flush	3 l/6 l
Installation height	1070 mm



**AM1101/1200 Sádromodul Slim**

Pre-wall installation system for dry build up (plasterboard)

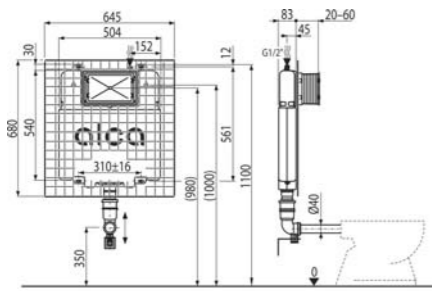


Quantity (packing)	1 pc
Quantity (pallet)	15 pcs
Dimensions (packing)	1210×140×590 mm
Weight (packing)	16.0926 kg
Small/big flush	3 l/6 l
Installation height	1175 mm

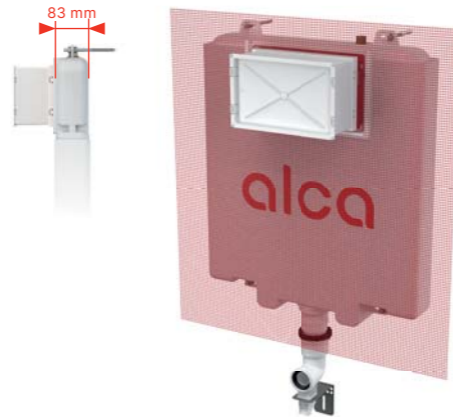


**AM1112P Basicmodul Slim**

Wall concealed WC cistern with reinforcing fibreglass mesh

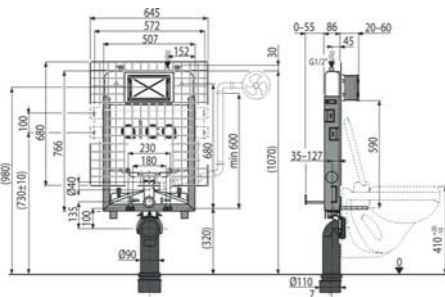


Quantity (packing)	1 pc
Quantity (pallet)	25 pcs
Dimensions (packing)	965×515×110 mm
Weight (packing)	5.1821 kg
Small/big flush	3 l/6 l
Installation height	1100 mm



**AM1115P/1000 Renovmodul Slim**

Pre-wall installation system for building into solid walls with reinforcing fibreglass mesh

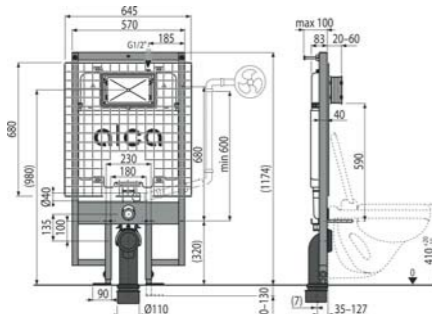


Quantity (packing)	1 pc
Quantity (pallet)	20 pcs
Dimensions (packing)	1086×528×145 mm
Weight (packing)	10.7379 kg
Small/big flush	3 l/6 l
Installation height	1070 mm



**AM1101P/1200 Sádromodul Slim**

Pre-wall installation system for dry build up (plasterboard) with reinforcing fibreglass mesh

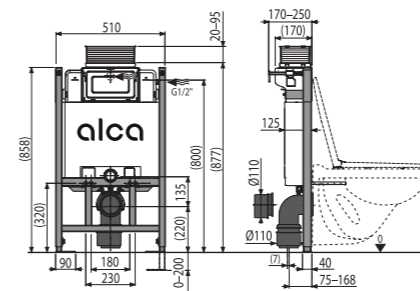


Quantity (packing)	1 pc
Quantity (pallet)	15 pcs
Dimensions (packing)	1210×140×590 mm
Weight (packing)	15.215 kg
Small/big flush	3 l/6 l
Installation height	1175 mm



**AM118/850 Sádromodul**

Pre-wall installation system for dry build up (plasterboard) with top or front actuation

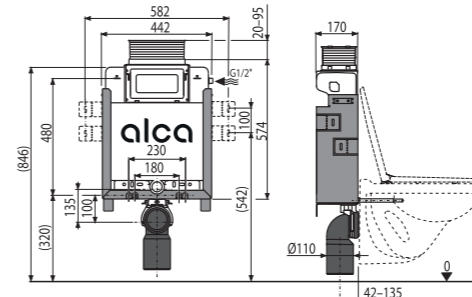


Quantity (packing)	1 pc
Quantity (pallet)	16 pcs
Dimensions (packing)	998×526×178 mm
Weight (packing)	13.2526 kg
Small/big flush	2,5–3,5 l/6–9 l
Installation height	858 mm



**AM119/850 Renovmodul**

Pre-wall installation system for building into solid walls with top or front actuation

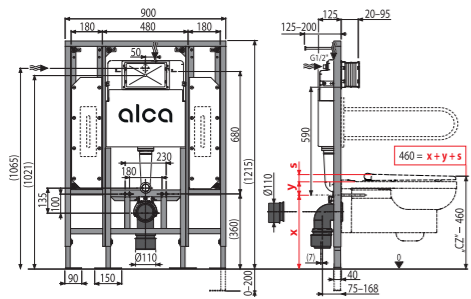


Quantity (packing)	1 pc
Quantity (pallet)	16 pcs
Dimensions (packing)	1040×465×180 mm
Weight (packing)	10.5605 kg
Small/big flush	2,5–3,5 l/6–9 l
Installation height	862 mm



**AM101/1300H Sádromodul**

Pre-wall installation system for dry build up (plasterboard) – for people with reduced mobility

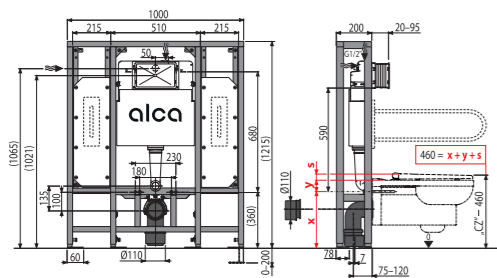


Quantity (packing)	1 pc
Quantity (pallet)	5 pcs
Dimensions (packing)	1195×935×145 mm
Weight (packing)	32.6599 kg
Small/big flush	2,5–3,5 l/6–9 l
Installation height	1274 mm



**AM116/1300H Solomodul**

Pre-wall installation system for dry build up, freestanding – for people with reduced mobility

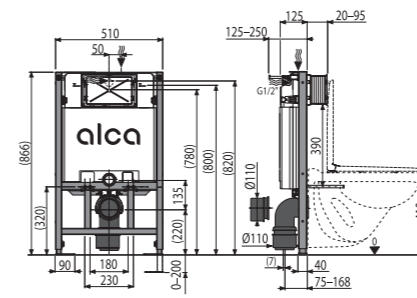


Quantity (packing)	1 pc
Quantity (pallet)	5 pcs
Dimensions (packing)	1010×1285×210 mm
Weight (packing)	46.0403 kg
Small/big flush	2,5–3,5 l/6–9 l
Installation height	1274 mm



**AM101/850-0005 WRAS**

Pre-wall installation system for dry build up (plasterboard)

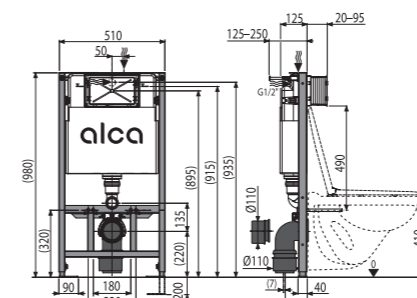


Quantity (packing)	1 pc
Quantity (pallet)	15 pcs
Dimensions (packing)	1130×145×520 mm
Weight (packing)	13.08 kg
Small/big flush	2,5–3,5 l/6–9 l
Installation height	866 mm



**AM101/1000-0005 WRAS**

Pre-wall installation system for dry build up (plasterboard)

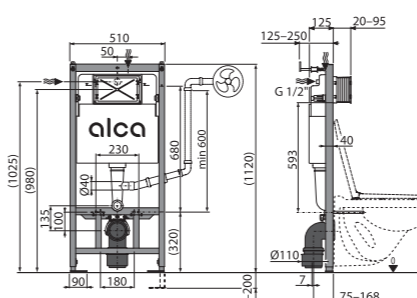


Quantity (packing)	1 pc
Quantity (pallet)	20 pcs
Dimensions (packing)	1130×145×520 mm
Weight (packing)	13.7147 kg
Small/big flush	2,5–3,5 l/6–9 l
Installation height	1062 mm



**AM101/1120-0005 WRAS**

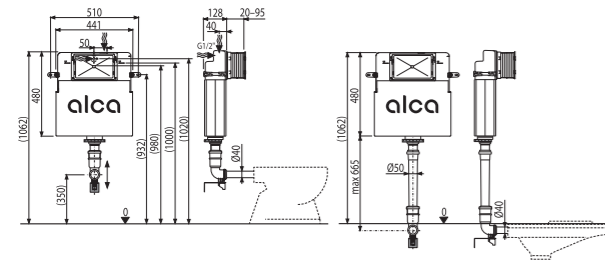
Pre-wall installation system for dry build up (plasterboard)



Quantity (packing)	1 pc
Quantity (pallet)	20 pcs
Dimensions (packing)	1130×145×520 mm
Weight (packing)	13.8593 kg
Small/big flush	2,5–3,5 l/6–9 l
Installation height	1120 mm



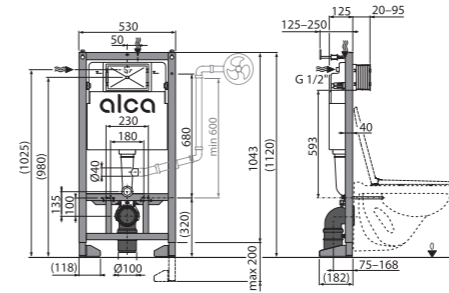
**AM112-0005 WRAS**  
Wall concealed WC cistern



Quantity (packing)	1 pc
Quantity (pallet)	20 pcs
Dimensions (packing)	1050×480×140 mm
Weight (packing)	4.8719 kg
Small/big flush	2,5-3,5 l/6-9 l
Installation height	1062 mm



**AM123/1120E** new  
Pre-wall installation system for dry build up (plasterboard), fre-standing

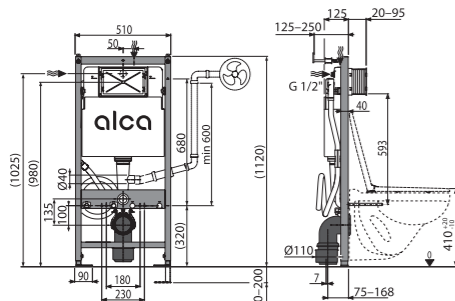


Quantity (packing)	1 pc
Quantity (pallet)	20 pcs
Dimensions (packing)	1138×547×146 mm
Weight (packing)	19.4145 kg
Small/big flush	2,5-3,5 l/6-9 l
Installation height	1120 mm



self-supporting legs

**AM120/1120-0005 WRAS**  
Pre-wall installation system for toilets with bidet function

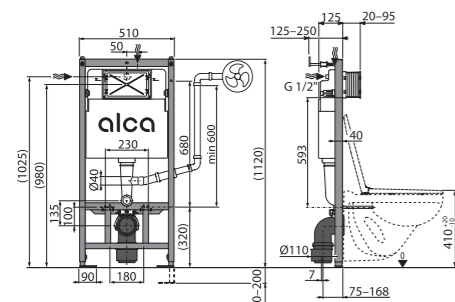


Quantity (packing)	1 pc
Quantity (pallet)	15 pcs
Dimensions (packing)	1130×520×145 mm
Weight (packing)	14.1511 kg
Small/big flush	2,5-3,5 l/6-9 l
Installation height	1120 mm



for electricity and water connection - P192, P193

**AM101/1120-0006 KIWA**  
Pre-wall installation system for dry build up (plasterboard)



Quantity (packing)	1 pc
Quantity (pallet)	20 pcs
Dimensions (packing)	1130×145×520 mm
Weight (packing)	13.8593 kg
Small/big flush	2,5-3,5 l/6-9 l
Installation height	1120 mm



**WC SOLID**  
Wall-hung WC + WC seat SLIM SOFTCLOSE, Duroplast



Quantity (packing)	1 pc
Quantity (pallet)	16 pcs
Material	ceramics

**WC AURA**  
Wall-hung WC

new



Quantity (packing)	1 pc
Quantity (pallet)	12 pcs
Material	ceramics

**WS AURA**  
Waste sink with cover grid

new



Quantity (packing)	1 pc
Quantity (pallet)	12 pcs
Material	ceramics

**WC Alca MEDIC**  
Wall-hung WC for people with reduced mobility



Quantity (packing)	1 pc
Quantity (pallet)	6 pcs
Material	ceramics

**WC RIMFLOW**  
Wall-hung WC



Quantity (packing)	1 pc
Quantity (pallet)	12 pcs
Material	ceramics

**P128**  
Extraction fan for pre-wall installation systems with ventilation



Quantity (packing)	7 pc
Quantity (pallet)	112 pcs
Material	plastic

**P115**  
Water flow speed regulator



Quantity (packing)	100 pcs
Quantity (pallet)	3200 pcs
Material	polypropylene

**M9006**  
Flexible elbow waste connector for wall-hung WC, 90 mm x 90-110 mm, length 450 mm, PP, white



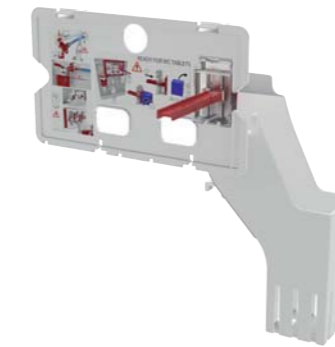
Quantity (packing)	25 pcs
Quantity (pallet)	400 pcs
Material	polypropylene

**P103**  
Water supply console G1/2"



Quantity (packing)	1 pcs
Quantity (pallet)	- pcs
Material	brass, powder-coated metal

**P169**  
Set for inserting WC tablets



Quantity (packing)	24 pcs
Quantity (pallet)	672 pcs
Material	plastic

**M906**  
Elbow waste connector 90° for wall-hung WC, reducer DN 90 x DN 110, length 205 mm, PE, black



Quantity (packing)	20 pcs
Quantity (pallet)	320 pcs
Material	polyethylene

**M908**  
Elbow waste connector 90° for wall-hung WC, DN 90 x DN 90, length 200 mm, PE, black



Quantity (packing)	20 pcs
Quantity (pallet)	320 pcs
Material	polyethylene

**M907**  
Waste reducer for wall-hung WC, eccentric 7 mm, DN 90 x DN 110, length 98 mm, PE, black



Quantity (packing)	60 pcs
Quantity (pallet)	960 pcs
Material	polyethylene

**M909**  
Double elbow waste connector 90° for wall-hung WC, reducer 2x DN 90 x DN 110, length 253 mm, PE, black



Quantity (packing)	10 pcs
Quantity (pallet)	160 pcs
Material	polyethylene

**M968**

Elbow waste connector 90° for wall-hung WC, Slim, DN 90 × DN 90, length 285 mm, PE, black



Quantity (packing)	20 pcs
Quantity (pallet)	320 pcs
Material	polyethylene

**M900**

Connector kit for wall-hung WC with threaded rods, DN 90, length 200 mm, PP, white



Quantity (packing)	15 pcs
Quantity (pallet)	240 pcs
Material	polypropylene, galvanized metal

**M9000**

Connector kit for wall-hung WC with threaded rods, extended, DN 90, length 300 mm, PE, white



Quantity (packing)	15 pcs
Quantity (pallet)	240 pcs
Material	polypropylene, galvanized metal

**M9001**

Extension piece for wall-hung WC with rubber pipe sealing, Ø 45 mm, length 300 mm, PP, black



Quantity (packing)	- pcs
Quantity (pallet)	- pcs
Material	polypropylene

**M147**

Extension piece for wall-hung WC, Ø 45 mm, length 300 mm, PP, black



Quantity (packing)	75 pcs
Quantity (pallet)	2100 pcs
Material	polypropylene

**M148**

Extension piece for wall-hung WC, DN 90, length 300 mm, PE, black



Quantity (packing)	15 pcs
Quantity (pallet)	240 pcs
Material	polypropylene

**M900K-DN90**

Connector kit for wall-hung WC, DN 90, length 200 mm, PE, chrome



Quantity (packing)	15 pcs
Quantity (pallet)	240 pcs
Material	polyethylene, galvanized metal

**M900K-DN110**

Connector kit for wall-hung WC, DN 110, length 200 mm, PE, chrome



Quantity (packing)	25 pcs
Quantity (pallet)	400 pcs
Material	polyethylene, galvanized metal

**M9000K-DN90**

Connector kit for wall-hung WC, DN 90, length 300 mm, PE, chrome



Quantity (packing)	15 pcs
Quantity (pallet)	240 pcs
Material	polyethylene, galvanized metal

**M9000K-DN110** new  
Connector kit for wall-hung WC, DN 110, length 300 mm, PE, chrome

**M902**

Connector for wall-hung WC, DN 90, length 200 mm, PE, black



Quantity (packing)	20 pcs
Quantity (pallet)	320 pcs
Material	polypropylene

**M918**

Adapter for corner installations



Quantity (packing)	40 pcs
Quantity (pallet)	1120 pcs
Material	plastic, galvanized metal, stainless steel

**M90**

Legs for pre-wall installation systems



Quantity (packing)	1 pcs
Quantity (pallet)	- pcs
Material	powder-coated metal

**M900KE-DN90**

Connector kit for wall-hung WC with threaded rods, eccentric 25 mm, DN 90, length 215 mm, PE, white



Quantity (packing)	15 pcs
Quantity (pallet)	240 pcs
Material	polyethylene, galvanized metal

**M900KE-DN110**

Connector kit for wall-hung WC with threaded rods, eccentric 25 mm, DN 110, length 215 mm, PE, white



Quantity (packing)	10 pcs
Quantity (pallet)	160 pcs
Material	polyethylene, galvanized metal

**M901**

Connector for wall-hung WC with rubber pipe sealing, Ø 45 mm, length 200 mm, PP, black



Quantity (packing)	50 pcs
Quantity (pallet)	800 pcs
Material	polypropylene

**P118**

Prolonged legs for pre-wall installation systems



Quantity (packing)	1 pcs
Quantity (pallet)	- pcs
Material	powder-coated metal

**P192**

Connection set for toilets or seats with bidet function



Quantity (packing)	1 pcs
Quantity (pallet)	- pcs
Material	stainless steel, brass, plastic

**P193**

Connection board for toilets or seats with bidet function



Quantity (packing)	1 pcs
Quantity (pallet)	- pcs
Material	stainless steel with black-matt finish

**M976**  
Bracket for fixing to the wall, 2 pcs

new



Quantity (packing)	15 pcs
Quantity (pallet)	420 pcs
Material	galvanized metal

**V0285-ND**  
Seal 64x30x2 mm, silicone

new



Quantity (packing)	1000 pcs
Quantity (pallet)	- pcs
Material	silicone

**V0015-ND**  
Seal 64x30x2 mm



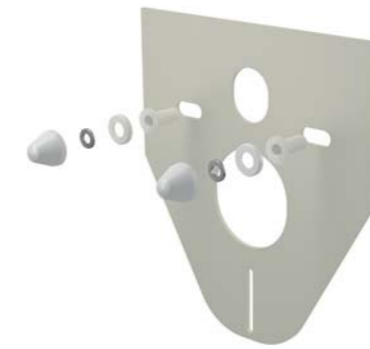
Quantity (packing)	1 pcs
Quantity (pallet)	- pcs
Material	rubber

**M91**  
Noise insulation for wall-hung WC and bidets



Quantity (packing)	150 pcs
Quantity (pallet)	600 pcs
Material	XPLE

**M910**  
Noise insulation for wall-hung WC and bidets with accessories including cover cap (white)



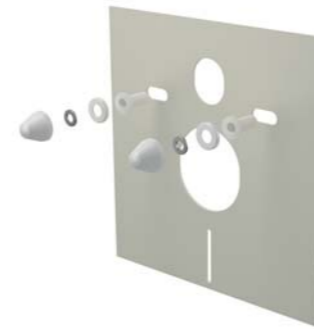
Quantity (packing)	50 pcs
Quantity (pallet)	800 pcs
Material	XPLE

**M910CR**  
Noise insulation for wall-hung WC and bidets with accessories including cover cap (chrome)



Quantity (packing)	50 pcs
Quantity (pallet)	800 pcs
Material	XPLE

**M930**  
Noise insulation for wall-hung WC and bidets with accessories including cover cap (white)



Quantity (packing)	50 pcs
Quantity (pallet)	800 pcs
Material	XPLE

**M930CR**  
Noise insulation for wall-hung WC and bidets with accessories including cover cap (chrome)



Quantity (packing)	50 pcs
Quantity (pallet)	800 pcs
Material	XPLE

**M920**  
Noise insulation for floor standing WC and bidets



Quantity (packing)	150 pcs
Quantity (pallet)	600 pcs
Material	XPLE

**M940**  
Noise insulation for wall-hung wash-basins



Quantity (packing)	100 pcs
Quantity (pallet)	600 pcs
Material	XPLE

**M950**  
Noise insulation for wall-hung urinals



Quantity (packing)	60 pcs
Quantity (pallet)	240 pcs
Material	XPLE

PRE-WALL INSTALLATION SYSTEMS CHARACTERISTICS

Code	For building into solid walls	For dry build up	For wooden construction houses	Ecology	With ventilation	Slim	Top actuation	For people with reduced mobility	Self-supporting/in front of supporting wall	WC tablets dispenser
<b>Wall concealed WC cistern</b>										
AM112	●			●						●
AM1112	●					●				
<b>Alcamodul</b>										
AM100/1000	●			●						●
AM100/1000E	●			●						●
AM100/850	●									●
<b>Sádromodul</b>										
AM101/1000	○	●		●						●
AM101/1120	○	●		●	●					●
AM101/1120E	○	●		●	●					●
AM101/1120F	○	●		●	●					●
AM101/1120W			●	●	●					●
AM101/1300H	○	●		●	●			●		●
AM101/850	○	●								●
AM1101/1200	○	●			●	●				●
AM118/850	○	●					●			●
AM101/850W			●	●						●
AM120/1120	○	●		●	●					●
AM121/1120	○	●			●					●
AM122/1120D	○	●			●					●
AM123/1120E	○	●		●	●			●		●
AS101		●		●	●					●
AS120		●		●	●					●
<b>Jádromodul</b>										
AM102/1000	○	●		●						●
AM102/1120	○	●		●	●					●
AM102/1120E	○	●		●	●					●
AM102/850	○	●								●
<b>Renovmodul</b>										
AM115/1000	●			●						●
AM115/1000E	●			●						●
AM115/1000V	●			●	●					●
AM115/1000	●				●	●				●
AM119/850	●						●			●
<b>Solomodul</b>										
AM116/1120	○	●		●	●				●	●
AM116/1300H	○	●		●	●			●	●	●
<b>Medic Assistant</b>										
AM101/1500L					●			●	●	

- basic characteristic
- it can also be built into solid walls
- it can be easily converted to WC system Ecology by replacing for A06E flush valve

# Innovation of mounting frames



**NEW HEIGHT 1120 mm**



**UNIFIED WIDTH 510 mm**

- Made in Czech Republic
- Exceptional warranty 15 years
- Availability of spare parts 25 years



**CROSSBARS MOUNTING FROM THE BACK SIDE**

Faster installation thanks to adjustable partitions



**CROSSBAR POSITION LOCK**

Fixing the position with a lock



**VARIABILITY OF WASTE ELBOW DIAMETER**

Waste elbow with connection to trap DN32/DN40, for waste DN40/DN50

Applies to frames A104, A105



**FIXATION SET EASY LOCK FOR MOUNTING TO THE WALL**

Even faster and easier installation

The new design allows a simple mounting to the wall in half the time.

**Exact setting**

Optional additional adjustment to an optimal position using an allen key accessed via the front of the frame.



**ASSEMBLY OF URINALS WITH HIDDEN CONNECTION**

Just turn the larger galvanized bracket 180° and fasten it first in the order from the top.

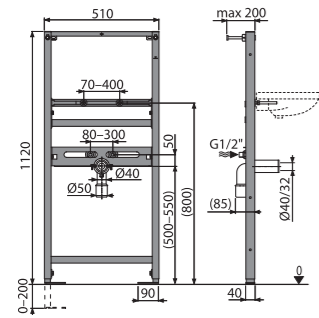
The procedure is shown in detail in the installation manual.



**ANCHOR FEET BRAKE**

The feet lock system allows setting the necessary building height of the frame profile and then ensure its final position by tightening.

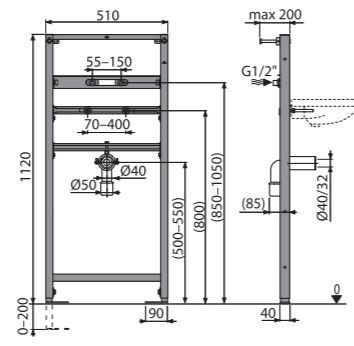
**A104/1120**  
Mounting frame for wash-basin



Quantity (packing)	1 pc
Quantity (pallet)	30 pcs
Dimensions (packing)	1125×515×75 mm
Weight (packing)	8.2629 kg
Installation height	1120 mm



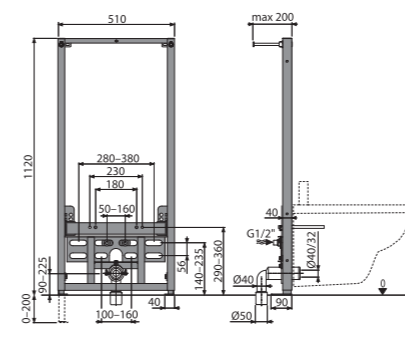
**A104A/1120**  
Mounting frame for wash-basin and tap



Quantity (packing)	1 pc
Quantity (pallet)	30 pcs
Dimensions (packing)	1125×515×75 mm
Weight (packing)	9.0631 kg
Installation height	1120 mm



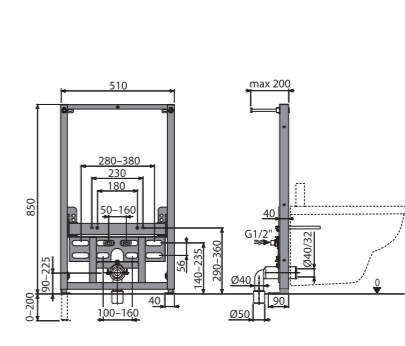
**A105/1120**  
Mounting frame for bidet



Quantity (packing)	1 pc
Quantity (pallet)	20 pcs
Dimensions (packing)	1125×515×75 mm
Weight (packing)	12.0453 kg
Installation height	1120 mm



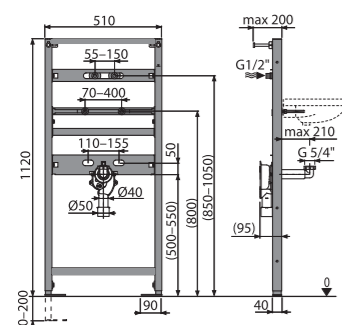
**A105/850**  
Mounting frame for bidet



Quantity (packing)	1 pc
Quantity (pallet)	20 pcs
Dimensions (packing)	1125×515×75 mm
Weight (packing)	11.0362 kg
Installation height	850 mm



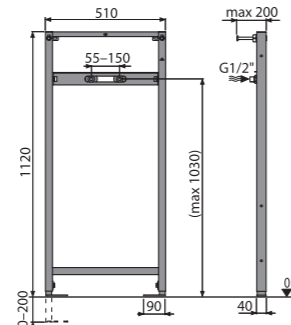
**A104AVS/1120**  
Mounting frame for wash-basin and tap with built-in trap



Quantity (packing)	1 pc
Quantity (pallet)	30 pcs
Dimensions (packing)	1125×515×75 mm
Weight (packing)	9.4664 kg
Installation height	1120 mm



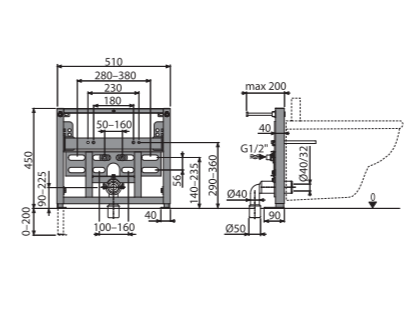
**A104B/1120**  
Mounting frame for faucet



Quantity (packing)	1 pc
Quantity (pallet)	30 pcs
Dimensions (packing)	1125×515×75 mm
Weight (packing)	7.2297 kg
Installation height	1120 mm



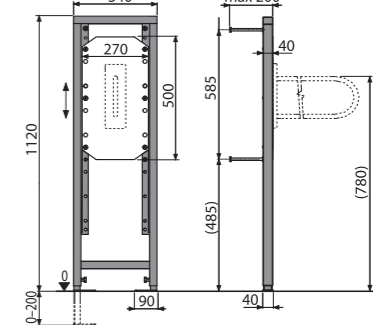
**A105/450**  
Mounting frame for bidet



Quantity (packing)	1 pc
Quantity (pallet)	20 pcs
Dimensions (packing)	450×513×80 mm
Weight (packing)	9.5662 kg
Installation height	450 mm



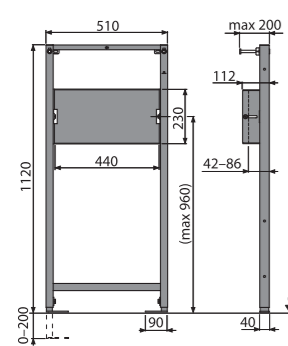
**A106/1120**  
Mounting frame for handle



Quantity (packing)	1 pc
Quantity (pallet)	30 pcs
Dimensions (packing)	1126×340×78 mm
Weight (packing)	11.1351 kg
Installation height	1120 mm



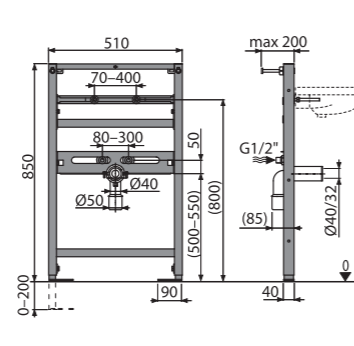
**A104PB/1120**  
Mounting frame for built-in mixer



Quantity (packing)	1 pc
Quantity (pallet)	30 pcs
Dimensions (packing)	1125×515×75 mm
Weight (packing)	7.7442 kg
Installation height	1120 mm



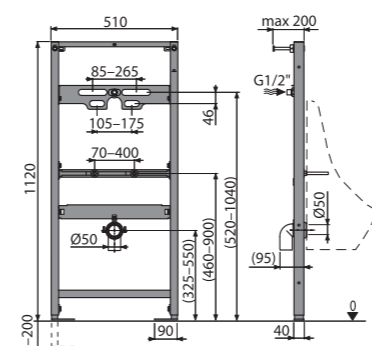
**A104/850**  
Mounting frame for wash-basin



Quantity (packing)	1 pc
Quantity (pallet)	30 pcs
Dimensions (packing)	1125×515×75 mm
Weight (packing)	7.3981 kg
Installation height	850 mm



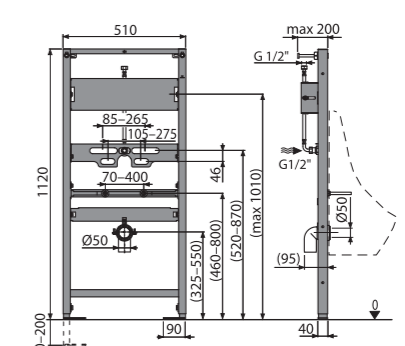
**A107/1120**  
Mounting frame for urinal



Quantity (packing)	1 pc
Quantity (pallet)	30 pcs
Dimensions (packing)	1125×515×75 mm
Weight (packing)	8.744 kg
Installation height	1120 mm



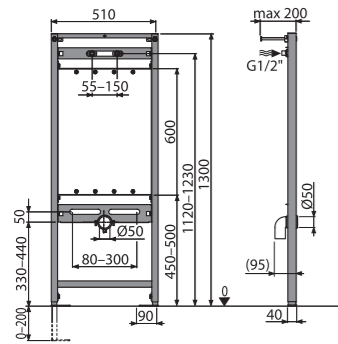
**A107S/1120**  
Mounting frame for urinal and sensor



Quantity (packing)	1 pc
Quantity (pallet)	30 pcs
Dimensions (packing)	1125×515×75 mm
Weight (packing)	9.9772 kg
Installation height	1120 mm



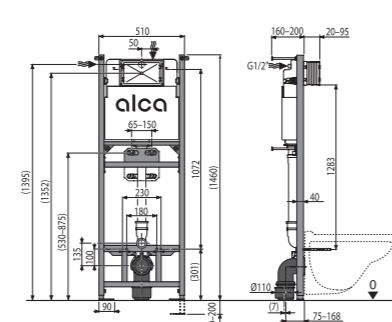
**A108/1300**  
Mounting frame for waste sink and faucet



Quantity (packing)	1 pc
Quantity (pallet)	30 pcs
Dimensions (packing)	1300x510x65 mm
Weight (packing)	6.1447 kg
Installation height	1300 mm



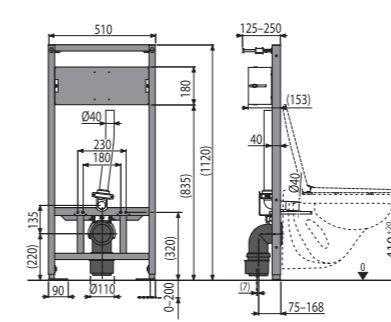
**A108F/1500**  
Mounting frame with cistern for a waste sink with waste connection DN90/110 and faucet



Quantity (packing)	1 pc
Quantity (pallet)	10 pcs
Dimensions (packing)	1460x530x155 mm
Weight (packing)	17.3481 kg
Installation height	1460 mm



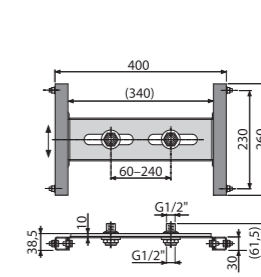
**A114S/1120**  
Mounting frame for wall-hung WC and sensor



Quantity (packing)	1 pcs
Quantity (pallet)	15 pcs
Dimensions (packing)	1125x515x75 mm
Weight (packing)	12.9341 kg
Installation height	1120 mm



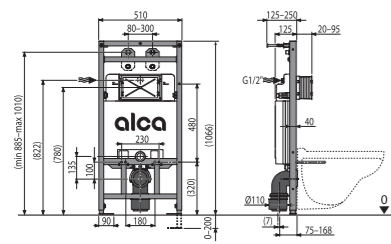
**A117B**  
Mounting frame for faucet in plaster-board structure



Quantity (packing)	20 pcs
Quantity (pallet)	160 pcs
Dimensions (packing)	370x80x140 mm
Weight (packing)	1.9108 kg
Installation height	- mm



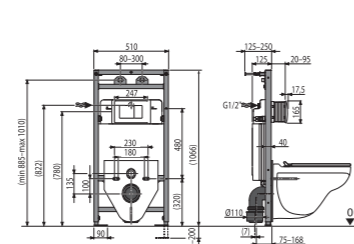
**A108F/1100**  
Mounting frame with cistern for a waste sink with waste connection DN90/110 and faucet



Quantity (packing)	1 pc
Quantity (pallet)	15 pcs
Dimensions (packing)	1107x515x139 mm
Weight (packing)	15.8606 kg
Installation height	1067 mm



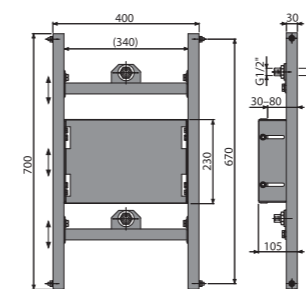
**A108F 5:1 SET-01**  
Set: mounting frame, waste sink inc. grid, insulation, flush plate



Quantity (packing)	1 pc
Quantity (pallet)	- pcs
Dimensions (packing)	1195x530x145, 640x390x440 mm
Weight (packing)	31.6522 kg
Installation height	1066 mm



**A117PB**  
Mounting frame for built-in mixer in plasterboard structure



Quantity (packing)	1 pc
Quantity (pallet)	40 pcs
Dimensions (packing)	800x133x470 mm
Weight (packing)	6.3274 kg
Installation height	- mm

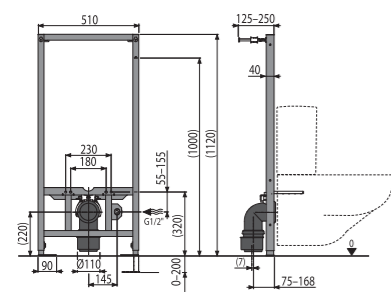


**M972**  
Elbow waste connector DN50/40



Quantity (packing)	1 pc
Quantity (pallet)	- pcs
Dimensions (piece)	190x170x5 mm
Weight (packing)	0.122 kg

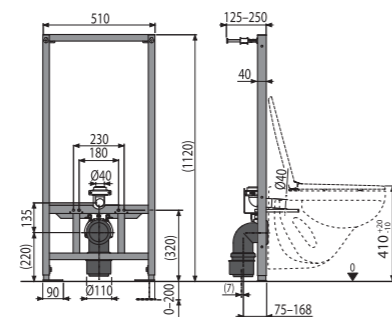
**A113/1120**  
Mounting frame for wall-hung WC combi



Quantity (packing)	1 pc
Quantity (pallet)	15 pcs
Dimensions (packing)	1158x515x140 mm
Weight (packing)	11.1245 kg
Installation height	1120 mm



**A114/1120**  
Mounting frame for wall-hung WC



Quantity (packing)	1 pc
Quantity (pallet)	15 pcs
Dimensions (packing)	1158x515x140 mm
Weight (packing)	11.1019 kg
Installation height	1120 mm



# Flush plates and sensors

Flush plates for pre-wall installation systems	46
Basic – Entry Product Line	48
Thin – Design Product Line	48
Flat – Premium Product Line	49
Special	50



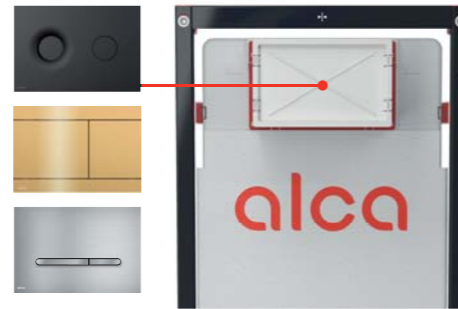
# Flush plates for pre-wall installation systems

The exclusivity of WC flush plates lies in precise processing, innovative development and the use of the most modern technologies, thanks to which it offers a wide range of color designs that easily match any interior style. The flush plates are divided into four sections: Basic, Thin, Flat and Special. The primary product line Basic meets the high demands of everyday use, thanks to its long life, constant color and easy maintenance. The Thin category have flat profile, which stands out only five millimeters above the tiles. The premium Flat series brings fine materials to bathrooms, such as stainless steel, brass, aluminum or Czech glass. The range Special offers modern and hygienic solutions, such as flush plates with touch-less sensors, remote control or increased resistance, which are suitable for any bathroom or space.

100%

## Compatibility with Alca WC systems

Flush plates Alca are fully compatible with all types of Alca WC systems. Experiment with shapes, materials and colors in your bathroom.



## Tilting

For more convenient refilling of toilet tablets, the majority of flush plates are equipped with a tilting system. This allows you to easily tilt the flush plate without the use of any tools, insert the WC tablet into the tablet dispenser and put the flush plate back on.



## Anti-fingerprint

The surface of the flush plates has a special protective layer, which does not show fingerprint marks. In addition to the aesthetic function has this adjustment also other benefits. The flush plates need not to be treated so often, thereby significantly increasing their long-life.



## Antibacterial surface treatment

Selected flush plates with black-matt and white-matt finishes come with an antibacterial surface treatment. The upper transparent varnish contains silver nanoparticles, which have antibacterial properties and prevent the spread of unwanted micro-organisms on the surface of the flush plate.

## Flush plates with antibacterial surface finish

M72, M272, M278, M372, M1712-8, M1722, M1728-2, M1732, M1876, M1876-1, M1876-7, M1878, M1878-7, M1976, M1976-2, M1978, M1978-7, M57-BR-M, M57-G-M, M57-GM-M, M57-N-M, M57-RG-M, M772, M776, M778, M778-5, M672, M676, M678, M572, M576, M578, MOON-BLACK, FUN-BLACK, FUN-G-B, FUN-GM-B, FUN-N-B, FUN-RG-B, TURN-BLACK

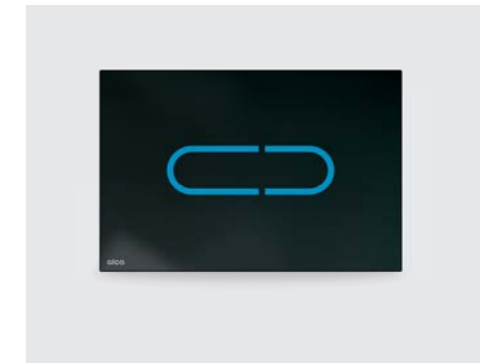


Flush plates and sensors



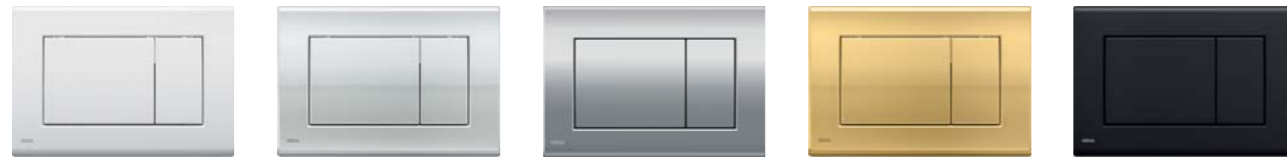
## Touch-free control

What will guarantee a zero percent transfer of bacteria? Touch-free control. With one elegant gesture, you solve everything, keeping your body protected from contact with bacteria.



### Basic – Entry Product Line

#### Basic 2



**M270** White-polished    **M271** Chrome-polished    **M272** Chrome-matt    **M275** Gold-polished    **M278** Black-matt <sup>2)</sup>

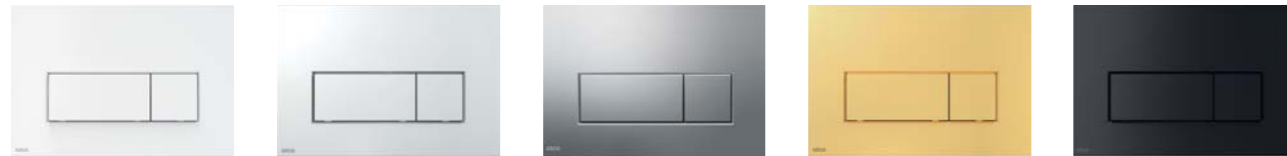
#### Basic 7



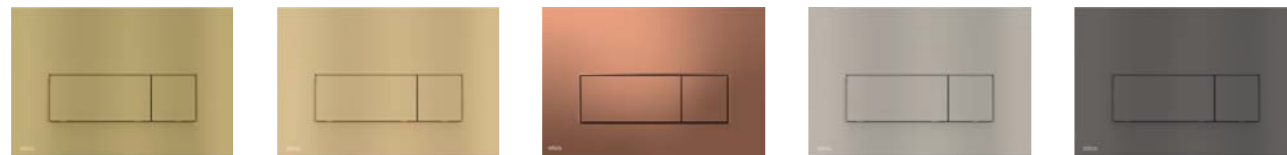
**M70** White-polished    **M71** Chrome-polished    **M72** Chrome-matt    **M75** Gold-polished

### Thin – Design Product Line

#### Thin 5



**M570** White-polished <sup>1)</sup>    **M571** Chrome-polished <sup>1)</sup>    **M572** Chrome-matt <sup>1)</sup>    **M575** Gold-polished <sup>1)</sup>    **M578** Black-matt <sup>1) 2)</sup>



**M57-BR-M** BRASS-matt <sup>1)</sup>    **M57-G-M** GOLD-matt <sup>1)</sup>    **M57-RG-M** RED GOLD-matt <sup>1)</sup>    **M57-N-M** NICKEL-matt <sup>1)</sup>    **M57-GM-M** GUN METAL-matt <sup>1)</sup>

#### Thin 6



**M670** White-polished <sup>1)</sup>    **M671** Chrome-polished <sup>1)</sup>    **M672** Chrome-matt <sup>1)</sup>    **M675** Gold-polished <sup>1)</sup>    **M678** Black-matt <sup>1) 2)</sup>

#### Thin 7



**M770** White-polished/ chrome-polished <sup>1)</sup>    **M771** Chrome-polished/ chrome-matt <sup>1)</sup>    **M775** White-polished/ gold-polished <sup>1)</sup>    **M778-5** Black-matt/gold-polished <sup>1) 2)</sup>    **M778** Black-matt/chrome-polished <sup>1) 2)</sup>

#### Linka



**M1876** White-matt <sup>1) 2)</sup>    **M1876-1** White-matt/ chrome-polished <sup>1) 2)</sup>    **M1878** Black-matt <sup>1) 2)</sup>    **M1878-7** Black-matt/gold-matt <sup>1) 2)</sup>

#### Dot.Dot.



**M1976** White-matt <sup>1) 2)</sup>    **M1976-2** White-matt/ chrome-matt <sup>1) 2)</sup>    **M1978** Black-matt <sup>1) 2)</sup>    **M1978-7** Black-matt/gold-matt <sup>1) 2)</sup>

Quantity (packing)	25 pcs
Quantity (pallet)	700 pcs
Material BASIC, THIN	plastic

### Flat – Premium Product Line

#### Ray



**RAY** Alunox-matt <sup>1)</sup>    **RAY-GL1200** Glass-white <sup>1)</sup>    **RAY-GL1204** Glass-black <sup>1)</sup>

#### Moon



**MOON** Alunox-matt <sup>1)</sup>    **MOON-WHITE** Inox-white polished <sup>1)</sup>    **MOON-BLACK** Inox-black matt <sup>1) 2)</sup>    **MOON-BRASS** Brass <sup>1)</sup>

#### Turn



**TURN** Alunox-matt <sup>1)</sup>    **TURN-WHITE** Inox-white polished <sup>1)</sup>    **TURN-BLACK** Inox-black matt <sup>1) 2)</sup>    **TURN-BRASS** Brass <sup>1)</sup>

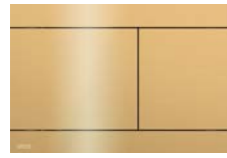
#### Fun



**FUN** Alunox-matt <sup>1)</sup>    **FUN-WHITE** Inox-white polished <sup>1)</sup>    **FUN-BLACK** Inox-black matt <sup>1) 2)</sup>    **FUN-BRASS** Brass <sup>1)</sup>

<sup>1)</sup> Flush plate with tilting mechanism  
<sup>2)</sup> Antibacterial coating

Fun Individual



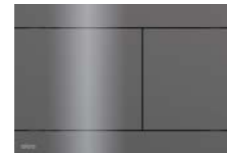
**FUN-G-P** GOLD-polished <sup>1) 2)</sup>



**FUN-RG-P** RED GOLD-polished <sup>1) 2)</sup>



**FUN-N-P** NICKEL-polished <sup>1) 2)</sup>



**FUN-GM-P** GUN METAL-polished <sup>1) 2)</sup>



**AIR** Alunox-matt <sup>1)</sup>  
**AIR-INOX** Inox-semi matt <sup>1)</sup>



**FUN-G-B** GOLD-brushed matt <sup>1) 2)</sup>



**FUN-RG-B** RED GOLD-brushed matt <sup>1) 2)</sup>



**FUN-N-B** NICKEL-brushed matt <sup>1) 2)</sup>



**FUN-GM-B** GUN METAL-brushed matt <sup>1) 2)</sup>



**AIR LIGHT** Alunox-matt

Quantity (packing)	10 pcs
Quantity (pallet)	280 pcs
Material ALUNOX	anodized aluminum, stainless steel
Material INOX	stainless steel

Material BRASS	brass
Material GLASS	stainless steel, glass
Material INDIVIDUAL	stainless steel with PVD finish
Material AIR	anodized aluminum

Special

Night Light



**NIGHT LIGHT-1**  
Glass-black



**NIGHT LIGHT-2**  
Glass-black



**NIGHT LIGHT-3**  
Glass-black

**NIGHT LIGHT-1-SLIM**  
Glass-black

**NIGHT LIGHT-2-SLIM**  
Glass-black

**NIGHT LIGHT-3-SLIM**  
Glass-black

Quantity (packing)	6 pcs
Quantity (pallet)	96 pcs
Material NIGHT LIGHT	glass

Antivandal



**M279** Metal

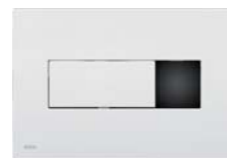


**M279S** Metal (AC power supply)

**M279SB** Metal (DC battery operated)

**M279S-SLIM** Metal (AC power supply)

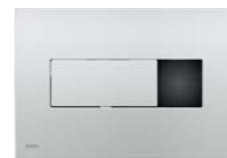
Sensor flush plates



**M370S** White (AC power supply)

**M370SB** White (DC battery operated)

**M370S-SLIM** White (AC power supply)



**M371S** Chrome-polished (AC power supply)

**M371SB** Chrome-polished (DC battery operated)

**M371S-SLIM** Chrome-polished (AC power supply)

Quantity (packing)	10 pcs
Quantity (pallet)	280 pcs
Material	stainless steel

Quantity (packing)	10 pcs
Quantity (pallet)	160 pcs
Material	plastic

<sup>1)</sup> Flush plate with tilting mechanism  
<sup>2)</sup> Antibacterial coating

Sensors

ASP3

Automatic WC flushing system, chrome, 12 V (AC power supply)

ASP3-B

Automatic WC flushing system, chrome, 6 V (DC battery operated)



Quantity (packing)	12 pcs
Quantity (pallet)	192 pcs
Material	stainless steel, chrome-plated plastic

ASP3-K

Automatic WC flushing system, metal, 12 V (AC power supply)

ASP3-KB

Automatic WC flushing system, metal, 6 V (DC battery operated)



Quantity (packing)	12 pcs
Quantity (pallet)	192 pcs
Material	stainless steel

ASP3-KT

Automatic WC flushing system, metal, manual, 12 V (AC power supply)

ASP3-KBT

Automatic WC flushing system, metal, manual, 6 V (DC battery operated)



Quantity (packing)	12 pcs
Quantity (pallet)	192 pcs
Material	stainless steel

ASP4

Automatic flushing system for urinal, chrome, 12 V (AC power supply)

ASP4-B

Automatic flushing system for urinal, chrome, 6 V (DC battery operated)



Quantity (packing)	16 pcs
Quantity (pallet)	256 pcs
Material	stainless steel, chrome-plated plastic

ASP4-K

Automatic flushing system for urinal, metal, 12 V (AC power supply)

ASP4-KB

Automatic flushing system for urinal, metal, 6 V (DC battery supply)



Quantity (packing)	16 pcs
Quantity (pallet)	256 pcs
Material	stainless steel

ASP4-KT

Automatic flushing system for urinal, metal, manual, 12 V (AC power supply)



Quantity (packing)	16 pcs
Quantity (pallet)	256 pcs
Material	stainless steel

AEZ310

Power supply 230 V AC/12 V DC/12 W, IP42



Quantity (packing)	1 pc
Quantity (pallet)	- pcs

AEZ320

Power supply 230 V AC/12 V DC/18 W, IP67



Quantity (packing)	1 pc
Quantity (pallet)	- pcs

**Remote flushing**

**MPO10**

Remote pneumatic flush for hand operation, white, installation: into the wall



Quantity (packing) 10 pcs  
 Quantity (pallet) 160 pcs  
 Material ABS, polypropylene

**MPO11**

Remote pneumatic flush for hand operation, chrome-polished, installation: into the wall



Quantity (packing) 10 pcs  
 Quantity (pallet) 160 pcs  
 Material chrome-plated plastic

**MPO12**

Remote pneumatic flush for foot operation, metal, installation: into the floor



Quantity (packing) 10 pcs  
 Quantity (pallet) 160 pcs  
 Material stainless steel, ABS, polypropylene

**MPO13**

Remote pneumatic flush for foot operation, metal, installation: onto the wall



Quantity (packing) 10 pcs  
 Quantity (pallet) 160 pcs  
 Material stainless steel, ABS, polypropylene

**P120**

Cover plate for pre-wall installation systems, alunox-matt



Quantity (packing) 25 pcs  
 Quantity (pallet) 700 pcs  
 Material anodized aluminum

**ATS001**

Urinal pressure flush valve



Quantity (packing) 20 pcs  
 Quantity (pallet) 560 pcs  
 Material chrome-plated metal

**POWER SUPPLY UNITS OVERVIEW**

Code	Recommended power supply unit
<b>APZ5 Spa backlight</b>	
AEZ120	AEZ310, AEZ320
AEZ121	AEZ310, AEZ320
AEZ122	AEZ310, AEZ320
AEZ123	AEZ310, AEZ320
AEZ124	AEZ310, AEZ320
<b>Illumination of flush plate AIR LIGHT</b>	
AIR LIGHT	AEZ310
AIR LIGHT R	AEZ310
<b>Automatic flushing systems for WC and urinals</b>	
ASP3	AEZ310
ASP3-B	battery box 4× AA included in packaging
ASP3-K	AEZ310
ASP3-KB	battery box 4× AA included in packaging
ASP3-KBT	battery box 4× AA included in packaging
ASP3-KT	AEZ310
ASP4	AEZ310
ASP4-B	battery box 4× AA included in packaging
ASP4-K	AEZ310
ASP4-KB	battery box 4× AA included in packaging
ASP4-KT	AEZ310
ASP5-KB	battery box 4× AA included in packaging
<b>Sensory flush plates</b>	
M279S	AEZ310
M279SB	battery box 4× AA included in packaging
M370S	AEZ310
M370SB	battery box 4× AA included in packaging
M371S	AEZ310
M371SB	battery box 4× AA included in packaging
M372S	AEZ310
M279S-SLIM	AEZ310
M370S-SLIM	AEZ310
M371S-SLIM	AEZ310
<b>Touch-free flush plates</b>	
NIGHT LIGHT-1	power source unit included in packaging
NIGHT LIGHT-2	power source unit included in packaging
NIGHT LIGHT-3	power source unit included in packaging
NIGHT LIGHT-1-SLIM	power source unit included in packaging
NIGHT LIGHT-2-SLIM	power source unit included in packaging
NIGHT LIGHT-3-SLIM	power source unit included in packaging
<b>Accessories for pre-wall installation systems with ventilation</b>	
P128	power supply 230 V



# Valves and exposed plastic WC cisterns

Fill valves	58
Flush valves	59
Plastic WC cisterns	61
Fill and flush kits	61
Valves and plastic WC cisterns – accessories	64

# Side fill valves

We have designed the fill valves primarily to be fast, exceptionally resistant to impurities contained in water and to perfectly withstand a wide range of pressures 0.05–1.6 MPa (0.5–16 bar) in various countries around the world.

**EASY MAINTENANCE AND FAST SERVICE**  
Cleaning the filter using **CLICK system** without a need of dismantling the tube

**INCREASED DURABILITY AGAINST IMPURITIES**  
Secured by a **conical shape of the filter**

**EXTRA FAST FILLING**  
**Twice as fast** filling without the use of a water flow regulator

**SILENT FILLING**  
With a regulator of the water flow

**MAXIMUM RELIABILITY**  
The new membrane works even within the water pressure fluctuations of **0.05–1.6 MPa (0.5–16 bar)**

**NO RECOIL**  
Thanks to the smooth closing of the valve

**LONGER LIFETIME**  
The fill valve is made of a material which is **more resistant against limescale**

**UNIVERSAL**  
Designed for plastic and ceramic **WC cisterns and pre-wall installation systems**

**ALWAYS THE SAME WATER LEVEL**  
Regardless of the water pressure in the pipes

## OVERVIEW OF SIDE FILL VALVES

6

Code	Water connection	Thread material	Application		
A150-1/2"	1/2"	plastic	ceramic cisterns		
A150-3/8"	3/8"	plastic	ceramic cisterns		
A150P-1/2"	1/2"	plastic		plastic WC cisterns	
A150P-3/8"	3/8"	plastic		plastic WC cisterns	
A160-1/2"	1/2"	metal	ceramic cisterns		
A160-3/8"	3/8"	metal	ceramic cisterns		
A160P-3/8"	3/8"	metal		plastic WC cisterns	WC systems
A150UNI	1/2", 3/8"	plastic	ceramic cisterns	plastic WC cisterns	WC systems
A160UNI	1/2", 3/8"	metal	ceramic cisterns	plastic WC cisterns	WC systems

### ONE PRODUCT FOR ALL OPTIONS 7 thread variants + 2 universal packages

**A150 1/2"**      **A160 1/2"**  
**A150 3/8"**      **A160 3/8"**  
**A150P 1/2"**      **A160P 3/8"**  
**A150P 3/8"**

**A150UNI**      **A160UNI**  
**2in1**      **2in1**

Valves and exposed plastic WC cisterns

**A150-1/2"**  
Side inlet fill valve for ceramic WC cisterns



Quantity (packing)	70 pcs
Quantity (pallet)	1120 pcs
Material	POM

**A150-3/8"**  
Side inlet fill valve for ceramic WC cisterns



Quantity (packing)	70 pcs
Quantity (pallet)	1120 pcs
Material	POM

**A150P-1/2"**  
Side inlet fill valve for plastic WC cisterns



Quantity (packing)	70 pcs
Quantity (pallet)	1120 pcs
Material	POM

**A150PDF-3/8"** new  
Side inlet fill valve with delayed filling for plastic WC cisterns



Quantity (packing)	70 pcs
Quantity (pallet)	1120 pcs
Material	POM

**A160PDF-3/8"** new  
Side inlet fill valve with delayed filling, metal thread, for plastic WC cisterns and pre-wall installation systems



Quantity (packing)	70 pcs
Quantity (pallet)	1120 pcs
Material	POM

**A17-1/2"**  
Bottom inlet fill valve for ceramic WC cisterns



Quantity (packing)	50 pcs
Quantity (pallet)	800 pcs
Material	ABS

**A150P-3/8"**  
Side inlet fill valve for plastic WC cisterns



Quantity (packing)	70 pcs
Quantity (pallet)	1120 pcs
Material	POM

**A160-1/2"**  
Side inlet fill valve metal thread for ceramic WC cisterns



Quantity (packing)	70 pcs
Quantity (pallet)	1120 pcs
Material	POM

**A160-3/8"**  
Side inlet fill valve metal thread for ceramic WC cisterns



Quantity (packing)	70 pcs
Quantity (pallet)	1120 pcs
Material	POM

**A17-3/8"**  
Bottom inlet fill valve for ceramic WC cisterns



Quantity (packing)	50 pcs
Quantity (pallet)	800 pcs
Material	ABS

**A18-1/2"**  
Bottom inlet fill valve metal thread for ceramic WC cisterns



Quantity (packing)	50 pcs
Quantity (pallet)	800 pcs
Material	ABS

**A18-3/8"**  
Bottom inlet fill valve metal thread for ceramic WC cisterns



Quantity (packing)	50 pcs
Quantity (pallet)	800 pcs
Material	ABS

**A160P-3/8"**  
Side inlet fill valve metal thread for plastic WC cisterns



Quantity (packing)	70 pcs
Quantity (pallet)	1120 pcs
Material	POM

**A150UNI**  
Side inlet fill valve, universal



Quantity (packing)	70 pcs
Quantity (pallet)	1120 pcs
Material	POM

**A160UNI**  
Side inlet fill valve metal thread, universal



Quantity (packing)	36 pcs
Quantity (pallet)	576 pcs
Material	POM

**A2000-CHROM**  
Flush valve with STOP button



Quantity (packing)	25 pcs
Quantity (pallet)	400 pcs
Material	ABS

**A05-CHROM**  
Flush valve with raised STOP button



Quantity (packing)	25 pcs
Quantity (pallet)	400 pcs
Material	ABS

**A08A**  
Flush valve with DUAL control button



Quantity (packing)	16 pcs
Quantity (pallet)	256 pcs
Material	ABS

Valves and exposed plastic WC cisterns

**A02**  
Flush valve for low level cistern (until 2025)



Quantity (packing)	25 pcs
Quantity (pallet)	400 pcs
Material	ABS

**A02A** new  
Flush valve for low level cistern (since 2025)



Quantity (packing)	25 pcs
Quantity (pallet)	400 pcs
Material	plastic

**A03**  
Flush valve for high level cistern



Quantity (packing)	25 pcs
Quantity (pallet)	400 pcs
Material	ABS

**A03A**  
Flush valve for high level cistern



Quantity (packing)	35 pcs
Quantity (pallet)	560 pcs
Material	ABS

**A06**  
Flush valve for pre-wall installation systems



Quantity (packing)	30 pcs
Quantity (pallet)	480 pcs
Material	ABS

**A06E**  
Flush valve Ecology for pre-wall installation systems



Quantity (packing)	25 pcs
Quantity (pallet)	400 pcs
Material	ABS

**A06-850**  
Flush valve for reduced pre-wall installation systems with 850 mm height



Quantity (packing)	30 pcs
Quantity (pallet)	480 pcs
Material	ABS

**A07**  
Flush valve for cistern A93, A930



Quantity (packing)	25 pcs
Quantity (pallet)	400 pcs
Material	ABS

**A09B**  
Flush valve for Slimmodul



Quantity (packing)	50 pcs
Quantity (pallet)	800 pcs
Material	ABS

**A930-H-1/2"**  
Toilet cistern UNI DUAL universal, white

**A930-H-3/8"**  
Toilet cistern UNI DUAL universal, white



Quantity (packing)	1 pc
Quantity (pallet)	65 pcs

**A930-H-3/8"-F** new  
Toilet cistern UNI DUAL universal, white + hose



Quantity (packing)	1 pc
Quantity (pallet)	65 pcs

**A930-M-1/2"**  
Low level toilet cistern DUAL, white

**A930-M-3/8"**  
Low level toilet cistern DUAL, white



Quantity (packing)	1 pc
Quantity (pallet)	65 pcs

**A940-H-1/2"**  
Toilet cistern UNI START-STOP universal, white

**A940-H-3/8"**  
Toilet cistern UNI START-STOP universal, white



Quantity (packing)	1 pc
Quantity (pallet)	65 pcs

**A940-H-3/8"-F** new  
Toilet cistern UNI START-STOP universal, white + hose



Quantity (packing)	1 pc
Quantity (pallet)	65 pcs

**A940-M-1/2"**  
Low level toilet cistern START-STOP, white

**A940-M-3/8"**  
Low level toilet cistern START-STOP, white



Quantity (packing)	1 pc
Quantity (pallet)	65 pcs

**A930E-M-3/8"** new  
Low level toilet cistern ECO DUAL, white (6 l)



Quantity (packing)	1 pc
Quantity (pallet)	- pcs

**A940E-M-3/8"** new  
Low level toilet cistern ECO START-STOP, white (6 l)



Quantity (packing)	1 pc
Quantity (pallet)	- pcs

**A95**  
Flush pipe DN32 in two parts + wrapping seal



Quantity (packing)	1 pc
Quantity (pallet)	- pcs

Valves and exposed plastic WC cisterns

**A950**

Flush pipe set DN35



Quantity (packing)	1 pc
Quantity (pallet)	- pcs

**A951-230**

Flush pipe – elbow DN44/50



Quantity (packing)	1 pc
Quantity (pallet)	- pcs

**A951-390**

Flush pipe – elbow DN44/50



Quantity (packing)	1 pc
Quantity (pallet)	- pcs

**Z0026-ND**

Rubber reducing insert Ø 60/32 mm



Quantity (packing)	1 pcs
Quantity (pallet)	-
Material	rubber

**SA2000 1/2" CHROM**

Fill and flush kit with STOP button  
Package content: A150-1/2", A2000, blind plug, screws, gaskets



Quantity (packing)	20 pcs
Quantity (pallet)	320 pcs

**SA2000 3/8" CHROM**

Fill and flush kit with STOP button  
Package content: A150-3/8", A2000, blind plug, screws, gaskets



Quantity (packing)	20 pcs
Quantity (pallet)	320 pcs

**SA2000S 3/8" CHROM**

Fill and flush kit with STOP button  
Package content: A17-3/8", A2000, screws, gaskets



Quantity (packing)	20 pcs
Quantity (pallet)	320 pcs

**SA2000SK 1/2" CHROM**

Fill and flush kit with STOP button  
Package content: A18-1/2", A2000, screws, gaskets



Quantity (packing)	20 pcs
Quantity (pallet)	320 pcs

**SA2000SK 3/8" CHROM**

Fill and flush kit with STOP button  
Package content: A18-3/8", A2000, screws, gaskets



Quantity (packing)	20 pcs
Quantity (pallet)	320 pcs

**SA2000 1/2" CHROM**

Fill and flush kit with STOP button  
Package content: A150-1/2", A2000, blind plug, screws, gaskets



Quantity (packing)	20 pcs
Quantity (pallet)	320 pcs

**SA2000 3/8" CHROM**

Fill and flush kit with STOP button  
Package content: A150-3/8", A2000, blind plug, screws, gaskets



Quantity (packing)	20 pcs
Quantity (pallet)	320 pcs

**SA08A 1/2" CHROM**

Fill and flush kit with DUAL control button  
Package content: A150-1/2", A08A, blind plug, screws, gaskets



Quantity (packing)	16 pcs
Quantity (pallet)	256 pcs

**SA08A 3/8" CHROM**

Fill and flush kit with DUAL control button  
Package content: A150-3/8", A08A, blind plug, screws, gaskets



Quantity (packing)	16 pcs
Quantity (pallet)	256 pcs

**SA08AK 1/2" CHROM**

Fill and flush kit with DUAL control button  
Package content: A160-1/2", A08A, blind plug, screws, gaskets



Quantity (packing)	16 pcs
Quantity (pallet)	256 pcs

**SA2000K 1/2" CHROM**

Fill and flush kit with STOP button  
Package content: A160-1/2", A2000, blind plug, screws, gaskets



Quantity (packing)	20 pcs
Quantity (pallet)	320 pcs

**SA2000K 3/8" CHROM**

Fill and flush kit with STOP button  
Package content: A160-3/8", A2000, blind plug, screws, gaskets



Quantity (packing)	20 pcs
Quantity (pallet)	320 pcs

**SA2000S 1/2" CHROM**

Fill and flush kit with STOP button  
Package content: A17-1/2", A2000, screws, gaskets



Quantity (packing)	20 pcs
Quantity (pallet)	320 pcs

**SA08AK 3/8" CHROM**

Fill and flush kit with DUAL control button  
Package content: A160-3/8", A08A, blind plug, screws, gaskets



Quantity (packing)	16 pcs
Quantity (pallet)	256 pcs

**SA08AS 1/2" CHROM**

Fill and flush kit with DUAL control button  
Package content: A17-1/2", A08A, screws, gaskets



Quantity (packing)	16 pcs
Quantity (pallet)	256 pcs

**SA08AS 3/8" CHROM**

Fill and flush kit with DUAL control button  
Package content: A17-3/8", A08A, screws, gaskets



Quantity (packing)	16 pcs
Quantity (pallet)	256 pcs

**SA08ASK 1/2" CHROM**

Fill and flush kit with DUAL control button  
Package content: A18-1/2", A08A, screws, gaskets



dual  
3/61

Quantity (packing) 16 pcs  
Quantity (pallet) 256 pcs

**SA08ASK 3/8" CHROM**

Fill and flush kit with DUAL control button  
Package content: A18-3/8", A08A, screws, gaskets



dual  
3/61

Quantity (packing) 16 pcs  
Quantity (pallet) 256 pcs

**V0018-ND**

Button cover (A2000)



Quantity (packing) 1 pcs  
Quantity (pallet) - pcs

**P0014-ND**

Button complete set chrome (A05)



Quantity (packing) 1 pcs  
Quantity (pallet) - pcs

**V0011-ND**

Button complete set chrome (A2000)



Quantity (packing) 1 pcs  
Quantity (pallet) - pcs

**V0296-ND**

Button complete set chrome (A08A)



Quantity (packing) 1 pcs  
Quantity (pallet) - pcs

**V0015-ND**

Seal 64x30x2



Quantity (packing) 1 pcs  
Quantity (pallet) - pcs

**N0020-ND**

End cap chrome



Quantity (packing) 1 pcs  
Quantity (pallet) - pcs

**V0285-ND**

Seal 64x30x2, silicone

new



Quantity (packing) 1000 pcs  
Quantity (pallet) - pcs  
Material silicone

# WC seats

WC seats	74
WC seats Basic	74
WC seats Duroplast	74
WC seats Softclose	75
WC seats Slim	76
WC seats – hinges	77



## WC seats



### SOFTCLOSE system – Slow closing WC seat cover

The SOFTCLOSE system is characterised by its slow seat closing action. The mechanism within the hinges of the WC seat ensure a smooth and quiet closure onto the ceramics. A big advantage of this system is to protect the WC pan from damage caused by accidental dropping of the seat. It also ensures greater safety and comfort for the user when handling the seat. It is particularly suitable for public areas and for families with children.



### Duroplast

Toilet seats made of high-quality Duroplast material will satisfy even the most demanding Customers. Duroplast material greatly reduces discomfort of sitting on a cold surface of a WC seat.



### CLICK system for easy cleaning

CLICK system on WC seat hinges allows for easier and faster cleaning of the WC pan and seat itself. The seat is released from the pan by pressing the two buttons on the inner side of the seat hinges, allowing it to be lifted clear for cleaning. The seat is easily and quickly returned to its original position by pressing it back onto the hinges.



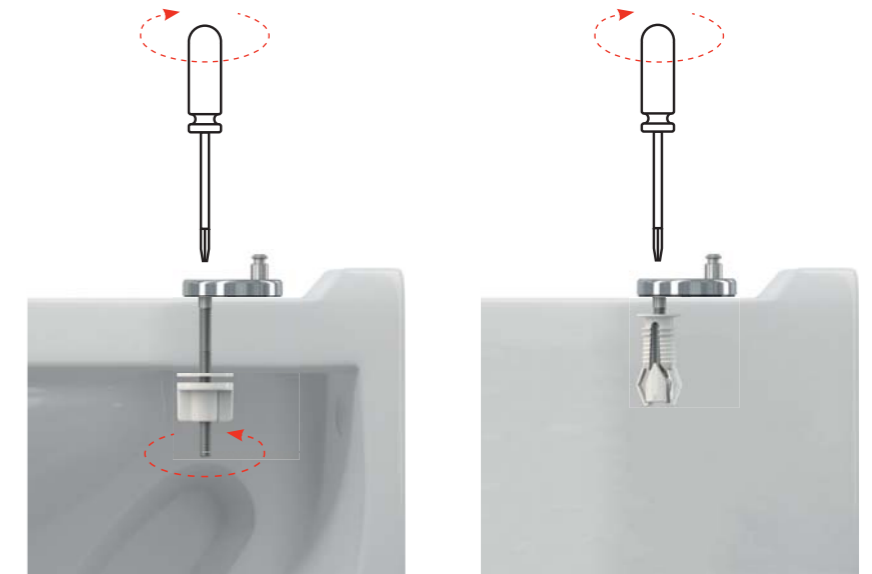
### Setting of hinges for perfect compatibility

Easy mounting of Alca seats onto the WC pan is guaranteed thanks to the large range of possible adjustment of the seat hinges. This together with the shape of the WC seats enable them to be fitted to many types of ceramics. The hinges are made of stainless steel and are white powder paint coated to blend them into the ceramic surface, this also ensures long life and durability.



### Comfortable top mounting

For Duroplast seats with CLICK system we offer an alternative to the classic bottom mounting hinges. Designed for toilet bowls with limited access the hinge system can be mounted and tightened from the top surface only, eliminating the need to gain access from below.



### The integrated seat insert with magnetic holder

Duroplast seats A603 and A606 are equipped with a fully integrated infant potty seat insert. It is attached to the hinge pins and can be easily removed. The insert is made of lightweight polypropylene material so that a child can safely and simply manipulate the seat. When not use the potty seat insert is retained magnetically by the seat cover allowing normal adult use.



### WC Seats with print

We also offer WC seats with color printing with three themes – flower, shell and zen.



## A60 – COMPATIBILITY CHART

Manufacturer	Type	Type
ALCADRAIN	Alca, Rimflow, Grand (C)	
CERSANIT	President (C), Terra, Moduo	Solari (C)
DEK		Wecco (C)
IDEAL STANDARD	Eurovit (Ecco) (C), Eurovit (Ecco), Simplicity, Simplicity (C), Vidima SevaMix (C), Ulysse 2 (C)	
JIKA	Mio, Lyra (C), Lyra Plus (C), Dino, Easy / Olymp, Olymp (C), Zeta (C), Zeta Plus (C), Roman (C), Lukas, Norma (C), Euroline (C), Deep New Handicap	
KOLO	Style, Nova top, Napoli (C), Rekord (C), Rekord	Primo, Piano (C)
SANITEC / KERAMAG		Renova Nr. 1
VITRA	Concept 100 (Ptáček), SeaBay (C), Pera	
VILLEROY & BOCH	Omnia, Omnia Pro, Omnia Compact	

## A3553 – COMPATIBILITY CHART

Manufacturer	Type	Type
ALCADRAIN		Alca
CERSANIT	Kompakt 393, Kompakt Kaskada	Delfi
IDEAL STANDARD	Vidima SevaMix (C), Ulysse 2 (C)	Simplicity, Simplicity (C), Eurovit (C), Eurovit
JIKA	Dino Rimless	Lyra Plus, Tigo, Tigo (C), Zeta
KOLO		Piano (C), Piano
PTÁČEK		Easy, Concept
RICHTER + FRENZEL	Optiline Europa	
WINKIEL		Lecico (C)

## A6550 – COMPATIBILITY CHART

Manufacturer	Type	Type
ALCADRAIN		Alca, Grand (C)
CERSANIT	Kompakt 393, Kompakt Kaskada	Delfi, Iryda (C), Korál (C), WC Kompakt President (C)
GUSTAVSBERG		Saval
IDEAL STANDARD	Vidima SevaMix (C), Ulysse 2 (C)	Simplicity, Simplicity (C), Eurovit (C), Eurovit
JIKA	Dino Rimless	Lyra Plus, Tigo, Tigo (C), Zeta, Dino, Mio, Lukas, Rigo, Norma, Pluto, Neo (C), Roman
KOLO		Piano (C), Piano, Primo, Idol Simple, Nova Rimfree
LECICO		Lecico (C)
PTÁČEK		Easy, Concept
RICHTER + FRENZEL	Optiline Europa	
TRIKER		EP 63 (C)

## A6551 – COMPATIBILITY CHART

Manufacturer	Type	Type
ALCADRAIN	Grand (C)	
JIKA	Lyra Plus (C), Lyra (C)	
MITO	Kompakt 373	
PTÁČEK	Easy (C), Concept (C)	

## A601 – COMPATIBILITY CHART

Manufacturer	Type	Type
ALCADRAIN	Alca, Rimflow	
CERSANIT	Terra, President (C), Moduo	Delfi
DEK	Wecco (C)	
FAYANS	Neo	
GUSTAVSBERG	Saval	Nautic
IDEAL STANDARD	Eurovit, Simplicity (C), Simplicity	Eurovit (C), Ulysse 2 (C), Vidima SevaMix
JIKA	Easy / Olymp, Zeta Plus (C), Roman (C)	Tigo, Olymp, Deep New Handicap
KERAMAG		Renova
KERAMIN	Omega (C)	
KOLO	Rekord (C)	Primo, Rekord / Krainer
SANINDUSA	Cetus	

✓✓ = WC seat fully compatible with toilet bowl

✓ = WC seat compatible with toilet bowl but not perfect fit

(C) = combi WC

(T) = top installation

indicative list

## A602, A603 – COMPATIBILITY CHART

Manufacturer	Type	Type
ALCADRAIN	Alca, Rimflow	
ALFÖLDI	Saval, Bázis, Solinár	
CERSANIT	Terra, Lotos, Classic, Ellada, Eko-2000, Korál, Atlantic, Solari, Family, Meteor, Trento, Relax, Moduo	Iryda, Olimpia, Prezident, Roma, Merida, Delfi
DEK	Wecco (C)	
DOLOMITE	Garda	
FAYANS	Neo	
GALASSIA		Eden (T)
GUSTAVSBERG	Saval, Nautic	
IDEAL STANDARD	Eurovit, Simplicity (C), Simplicity, Storm, Seva M, Seva Mega	Eurovit (C), SevaMix
JIKA	Easy / Olymp, Dino, Roma, Lyra, Norma	Easy / Zeta (C), Tigo, Deep New Handicap
KERAMAG		Renova Nr.1
KERAMIN	Omega (C)	
KERASAN	Godia	
KOLO	Rekord, Idol, Impuls, Primo	Nova Top, Rekord / Krainer
MONDIAL	4031	
MULTI	Eur	
ROCA	Zoom	
ROSA	Elegans, Komfort, Evro, Premier, Ressa	
SAMARSKJI STROJFARFOR	Sanata	
SANINDUSA	Cetus	
SANTEK	Boreal, Briz	
SANTERI		Vita, Sonata
VILLEROY BOCH		O.novo
VITRA	Saval	

## A604, A606 – COMPATIBILITY CHART

Manufacturer	Type	Type
ALCADRAIN	Alca, Rimflow	
ALFÖLDI	Saval, Bázis, Solinár	
CERSANIT	Terra, Lotos, Classic, Ellada, Eko-2000, Korál, Atlantic, Solari, Family, Meteor, Trento, Relax, Moduo	Iryda, Olimpia, Prezident, Roma, Merida, Delfi
DEK	Wecco (C)	
DOLOMITE	Garda	
FAYANS	Neo	
GALASSIA		Eden (T)
GUSTAVSBERG	Saval, Nautic	
IDEAL STANDARD	Eurovit, Simplicity (C), Simplicity, Storm, Seva M, Seva Mega	Eurovit (C), SevaMix
JIKA	Easy / Olymp, Dino, Roma, Lyra, Norma	Easy / Zeta (C), Tigo, Deep New Handicap
KERAMAG		Renova Nr.1
KERAMIN	Omega (C)	
KERASAN	Godia	
KOLO	Rekord, Idol, Impuls, Primo	Nova Top, Rekord / Krainer
MONDIAL	4031	
MULTI	Eur	
ROCA	Zoom	
ROSA	Elegans, Komfort, Evro, Premier, Ressa	
SAMARSKJI STROJFARFOR	Sanata	
SANINDUSA	Cetus	
SANTEK	Boreal, Briz	
SANTERI		Vita, Sonata
VILLEROY BOCH		O.novo
VITRA	Saval	Normus

✓✓ = WC seat fully compatible with toilet bowl

✓ = WC seat compatible with toilet bowl but not perfect fit

(C) = combi WC

(T) = top installation

indicative list

## A66 – COMPATIBILITY CHART

Manufacturer	Type	Type
ALCADRAIN	Rimflow	
CERSANIT	President, Merida, Terra, Larga Oval (C)(T),	City Oval (T)
DOLOMITE	Clodia	
GALASSIA	Dream (T)	
GLACERA	Montanaro, Base	
HORNBACK		Dalea, Luna
IDEAL STANDARD	Eurovit (Ecco)	Vidima SevaMix (C)
JIKA	Mio, Dino, Easy / Olymp, Cubito, Zeta, Tigo	Zeta Plus (C), Dino Rimless
KERAMAG		Renova
KERASAN	Flo	
LAUFEN	Pro, Form	Lua (T)
RICHTER + FRENZEL	Optiset Optiline	
ROCA		Ona (T)
SAT		Infinitio (T)
VILLEROY & BOCH	Omnia, Omnia Architectura	
VITRA	S50-52 cm, Sento (T)	Integra (C)(T)

## A67 – COMPATIBILITY CHART

Manufacturer	Type	Type
ALCADRAIN		Rimflow
CERSANIT	President, Merida, Terra	
DOLOMITE	Clodia	
GALASSIA	Dream (T)	
GLACERA	Montanaro, Base	
HORNBACK		Dalea, Luna
IDEAL STANDARD	Eurovit (Ecco)	Vidima SevaMix (C)
JIKA	Mio, Dino, Easy / Olymp, Cubito, Zeta, Lyra Plus, Tigo	Zeta Plus (C), Dino Rimless
KERAMAG		Renova
KERASAN	Flo	
LAUFEN	Pro, Form	Lua (T)
RAVAK	Chrome RimOff	
RICHTER + FRENZEL	Optiset Optiline	
VILLEROY & BOCH	Omnia, Omnia Architectura	
VITRA	S50-52 cm	

## A67SLIM – COMPATIBILITY CHART

Manufacturer	Type	Type
ALCADRAIN	Rimflow	
CERSANIT	President, Merida, Terra, Iryda (C), Larga Oval (C)(T)	Olimpia, Olimpia (C), Iryda
DOLOMITE	Clodia	
GLACERA	Montanaro, Base	
HORNBACK		Dalea, Luna
IDEAL STANDARD		Vidima SevaMix (C)
JIKA	Mio, Dino, Easy / Olymp, Cubito, Zeta, Dino Rimless, Lyra Plus, Tigo, Deep New Handicap	
JUNGBORN	Elena (C), Dalea, Melissa	
KERAMAG	Renova Nr. 1, Renova	
KERASAN	Flo	
LAUFEN		Lua (T)
KOLO	Style, Impuls	Quatro
RAVAK	Uni Chrome RimOff, Uni Chrome Rim	
VILLEROY & BOCH	Subway, Omnia Architectura	
VITRA	S50-52 cm	

✓✓ = WC seat fully compatible with toilet bowl

✓ = WC seat compatible with toilet bowl but not perfect fit

(C) = combi WC

(T) = top installation

## A64SLIM – COMPATIBILITY CHART

Manufacturer	Type	Type
ALCADRAIN	Alca	Rimflow
ALFÖLDI	Saval	Bázis
CERSANIT	President (C), Terra, Family, Solari, Classic, Iryda (C), Moduo	Olimpia, Olimpia (C), Iryda
DOLOMITE	Garda	
FAYANS	Neo	
GUSTAVSBERG	Saval, Nautic	
IDEAL STANDARD	Eurovit (Ecco)(C), Simplicity (C), Vidima Storm	Vidima SevaMix (C), Ulysse 2 (C), Vidima SevaM (C), Simplicity
JIKA	Lyra, Dino, Easy / Olymp, Zeta, Roman	Norma
KERAMAG		Renova Nr. 1
KERASAN	Godia	
KOLO	Nova Top, Delta, Impuls, Rekord, Idol (C)	Rekord (C), Piano (C), Primo
SANINDUSA	Cetus	
SANTEK	Boreal, Briz	
SANTERI		Vita, Sonata
VILLEROY & BOCH	Omnia, Omnia Pro, Omnia Compact	
VITRA	Pera, SeaBay (C)	Normus

## A674S – COMPATIBILITY CHART

Manufacturer	Type	Type
ALCADRAIN		Rimflow
CERSANIT	Iryda, Iryda (C), Larga Oval (C)(T), Crea Oval (T), Mille	Delfi, Olimpia, Olimpia (C), Parva, Parva (C), City Oval (T)
FORM	Novalis	Corto
GUSTAVSBERG		Nautic
HORNBACK		Melissa, Luna
IDEAL STANDARD		Simplicity
JIKA	Dino Rimless, Easy, Lyra Plus, Mio, Mio (C), Tigo, Tigo (C)	
LAUFEN	Laufen Pro	
PTÁČEK		Concept 100
RAVAK	Uni Chrome RimOff, Uni Chrome Rim	
RICHTER + FRENZEL		Optiline Europa
ROCA		Ona (T)
SANITEC - KERAMAG - KOLO	Icon, Primo	Renova Nr. 1
SAT		Infinitio (T)
VILLEROY & BOCH	Verity, O.novo	
VITRA	Concept 500, Sento (T)	Integra (C)(T)

## A678S – COMPATIBILITY CHART

Manufacturer	Type	Type
ALCADRAIN	WC Alca MEDIC	

✓✓ = WC seat fully compatible with toilet bowl

✓ = WC seat compatible with toilet bowl but not perfect fit

(C) = combi WC

(T) = top installation

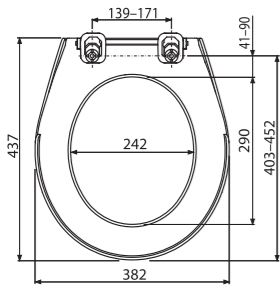
## HINGES – COMPATIBILITY CHART

Hinges	Type
P0009-ND	A60
P096	A601, A601 BAHAMA, A601 PERGAMON, A601 PISTACHIO
P105	A602, A603, A604, A604 FLOWER, A604 SHELL, A604 ZEN, A604 BAHAMA, A604 PERGAMON, A604 PISTACHIO, A606, A674S
P105B	A602, A603, A604, A604 FLOWER, A604 SHELL, A604 ZEN, A604 BAHAMA, A604 PERGAMON, A604 PISTACHIO, A606, A674S
P106	A602, A603, A604, A604 FLOWER, A604 SHELL, A604 ZEN, A604 BAHAMA, A604 PERGAMON, A604 PISTACHIO, A606, A674S
P106B	A602, A603, A604, A604 FLOWER, A604 SHELL, A604 ZEN, A604 BAHAMA, A604 PERGAMON, A604 PISTACHIO, A606, A674S
P113	A602, A603, A604, A604 FLOWER, A604 SHELL, A604 ZEN, A604 BAHAMA, A604 PERGAMON, A604 PISTACHIO, A606, A674S, A67SLIM, A66, A67
Z0137B-ND	A64, A65, A66, A67
Z0952-ND	A64SLIM, A67SLIM
P157	A678S
P170	A6550, A6551
P179	A64, A66, A67

indicative list

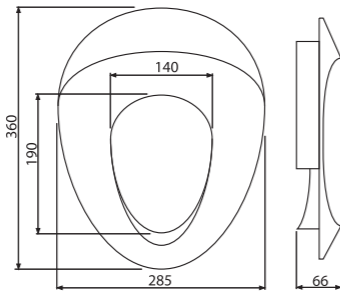
indicative list

**A60**  
WC seat, polypropylene



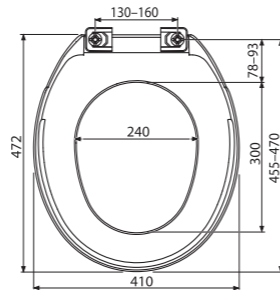
Quantity (packing)	13 pcs
Quantity (pallet)	208 pcs
Hinges	P0009-ND
Material	polypropylene

**A68**  
Potty training WC seat, polypropylene



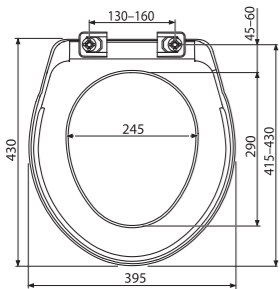
Quantity (packing)	6 pcs
Quantity (pallet)	216 pcs
Hinges	-
Material	polypropylene

**A6550**  
WC seat Basic, polypropylene



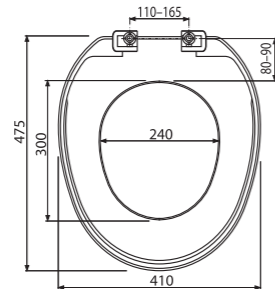
Quantity (packing)	15 pcs
Quantity (pallet)	270 pcs
Hinges	P170
Material	polypropylene

**A6551**  
WC seat Basic, polypropylene



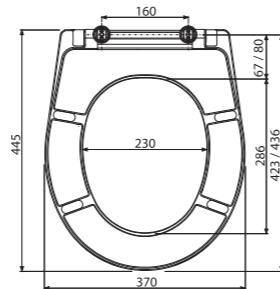
Quantity (packing)	15 pcs
Quantity (pallet)	270 pcs
Hinges	P170
Material	polypropylene

**A3553**  
WC seat Basic, polypropylene



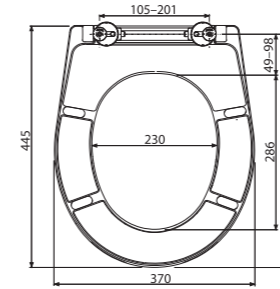
Quantity (packing)	21 pcs
Quantity (pallet)	336 pcs
Hinges	-
Material	polypropylene

**A601**  
WC seat, Duroplast



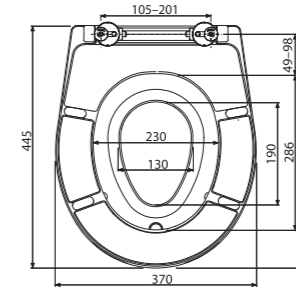
Quantity (packing)	5 pcs
Quantity (pallet)	120 pcs
Hinges	P096
Material	Duroplast

**A602**  
WC seat universal, Click system, Duroplast



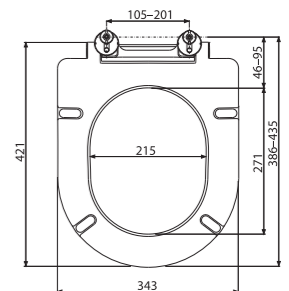
Quantity (packing)	5 pcs
Quantity (pallet)	120 pcs
Hinges	P106B
Material	Duroplast

**A603**  
WC seat universal with integrated insert, Click system, Duroplast



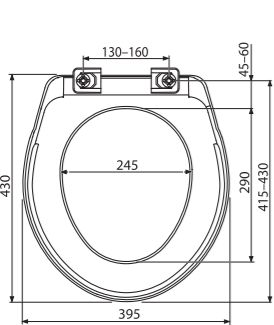
Quantity (packing)	5 pcs
Quantity (pallet)	120 pcs
Hinges	P106B
Material	Duroplast
WC seat insert material	polypropylene

**A678S**  
WC seat, for wall-hung WC for people with reduced mobility, Click system, Duroplast

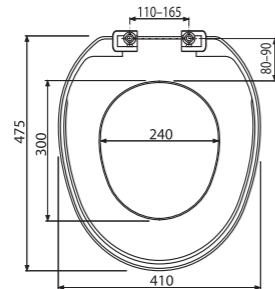


Quantity (packing)	5 pcs
Quantity (pallet)	120 pcs
Hinges	P157
Material	Duroplast

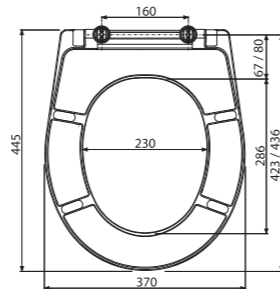
WC seats



Quantity (packing)	15 pcs
Quantity (pallet)	270 pcs
Hinges	P170
Material	polypropylene

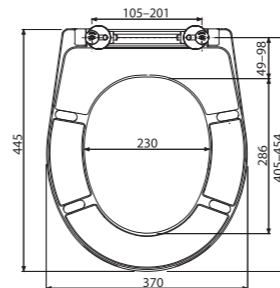


Quantity (packing)	21 pcs
Quantity (pallet)	336 pcs
Hinges	-
Material	polypropylene



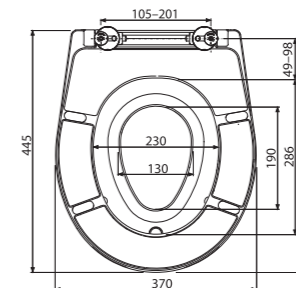
Quantity (packing)	5 pcs
Quantity (pallet)	120 pcs
Hinges	P096
Material	Duroplast

**A604**  
WC seat universal Softclose, Click system, Duroplast



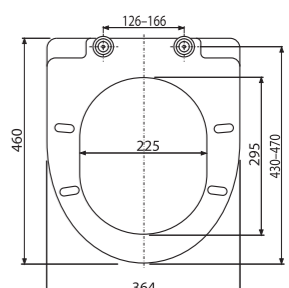
Quantity (packing)	5 pcs
Quantity (pallet)	120 pcs
Hinges	P106B
Material	Duroplast

**A606**  
WC seat universal Softclose with integrated insert, Click system, Duroplast



Quantity (packing)	5 pcs
Quantity (pallet)	120 pcs
Hinges	P106B
Material	Duroplast

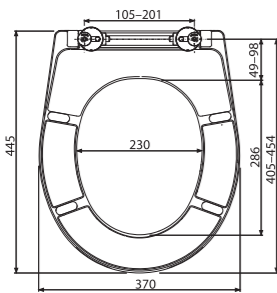
**A66**  
WC seat Softclose, Click system, Duroplast



Quantity (packing)	5 pcs
Quantity (pallet)	80 pcs
Hinges	Z0137B-ND
Material	Duroplast

**A604 FLOWER**

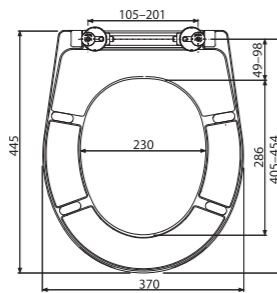
WC seat universal Softclose, Click system, Duroplast



Quantity (packing)	5 pcs
Quantity (pallet)	120 pcs
Hinges	P106B
Material	Duroplast

**A604 SHELL**

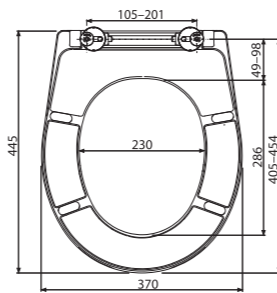
WC seat universal Softclose, Click system, Duroplast



Quantity (packing)	5 pcs
Quantity (pallet)	120 pcs
Hinges	P106B
Material	Duroplast

**A604 ZEN**

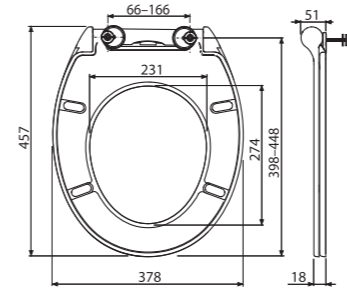
WC seat universal Softclose, Click system, Duroplast



Quantity (packing)	5 pcs
Quantity (pallet)	120 pcs
Hinges	P106B
Material	Duroplast

**A64SLIM**

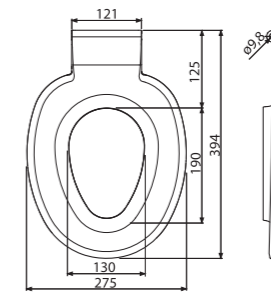
WC seat Slim Softclose, Click system, Duroplast



Quantity (packing)	5 pcs
Quantity (pallet)	80 pcs
Hinges	Z0952-ND
Material	Duroplast

**P102**

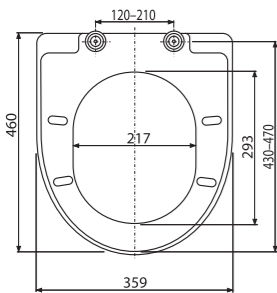
WC seat – integrated insert



Quantity (packing)	20 pcs
Quantity (pallet)	320 pcs
Hinges	-
Material	polypropylene

**A67**

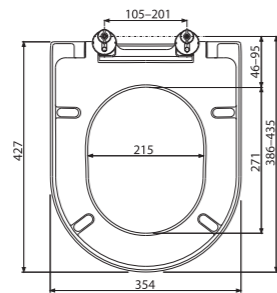
WC seat Softclose, Click system, Duroplast



Quantity (packing)	5 pcs
Quantity (pallet)	80 pcs
Hinges	Z0137B-ND
Material	Duroplast

**A674S**

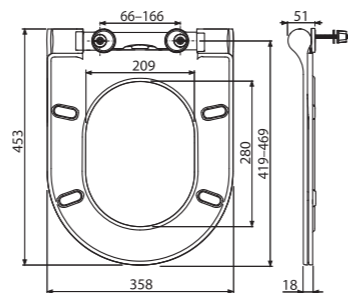
WC seat Softclose, Click system, Duroplast



Quantity (packing)	5 pcs
Quantity (pallet)	120 pcs
Hinges	P106B
Material	Duroplast

**A67SLIM**

WC seat Slim Softclose, Click system, Duroplast



Quantity (packing)	5 pcs
Quantity (pallet)	80 pcs
Hinges	Z0952-ND
Material	Duroplast

**P0009-ND**  
Hinges for A60



Quantity (packing) 1 pcs  
Quantity (pallet) -

**P096**  
Hinges for A601



Quantity (packing) 1 pcs  
Quantity (pallet) -

**P106**  
Hinges for bottom installation, stainless steel cover



Quantity (packing) 1 pcs  
Quantity (pallet) -

**P113**  
Dowel for top installation of WC seats



Quantity (packing) 1 pcs  
Quantity (pallet) -

**P157**  
Hinges for A678S



Quantity (packing) 1 pcs  
Quantity (pallet) -

**P170**  
Hinges for A6550, A6551



Quantity (packing) 1 pcs  
Quantity (pallet) -

**P106B**  
Hinges for bottom installation, white cover



Quantity (packing) 1 pcs  
Quantity (pallet) -

**P105**  
Hinges with top installation, stainless steel cover



Quantity (packing) 1 pcs  
Quantity (pallet) -

**P105B**  
Hinges for top installation, white cover



Quantity (packing) 1 pcs  
Quantity (pallet) -

**Z1272-ND**  
Hinges for A64SLIM, A67SLIM for top installation



Quantity (packing) 1 pcs  
Quantity (pallet) -

**Z0137B-ND**  
Hinges for A66, A67 (until 2014)



Quantity (packing) 1 pcs  
Quantity (pallet) -

**P179**  
Hinges for A64, A66, A67, pin 6 mm (since 2015)

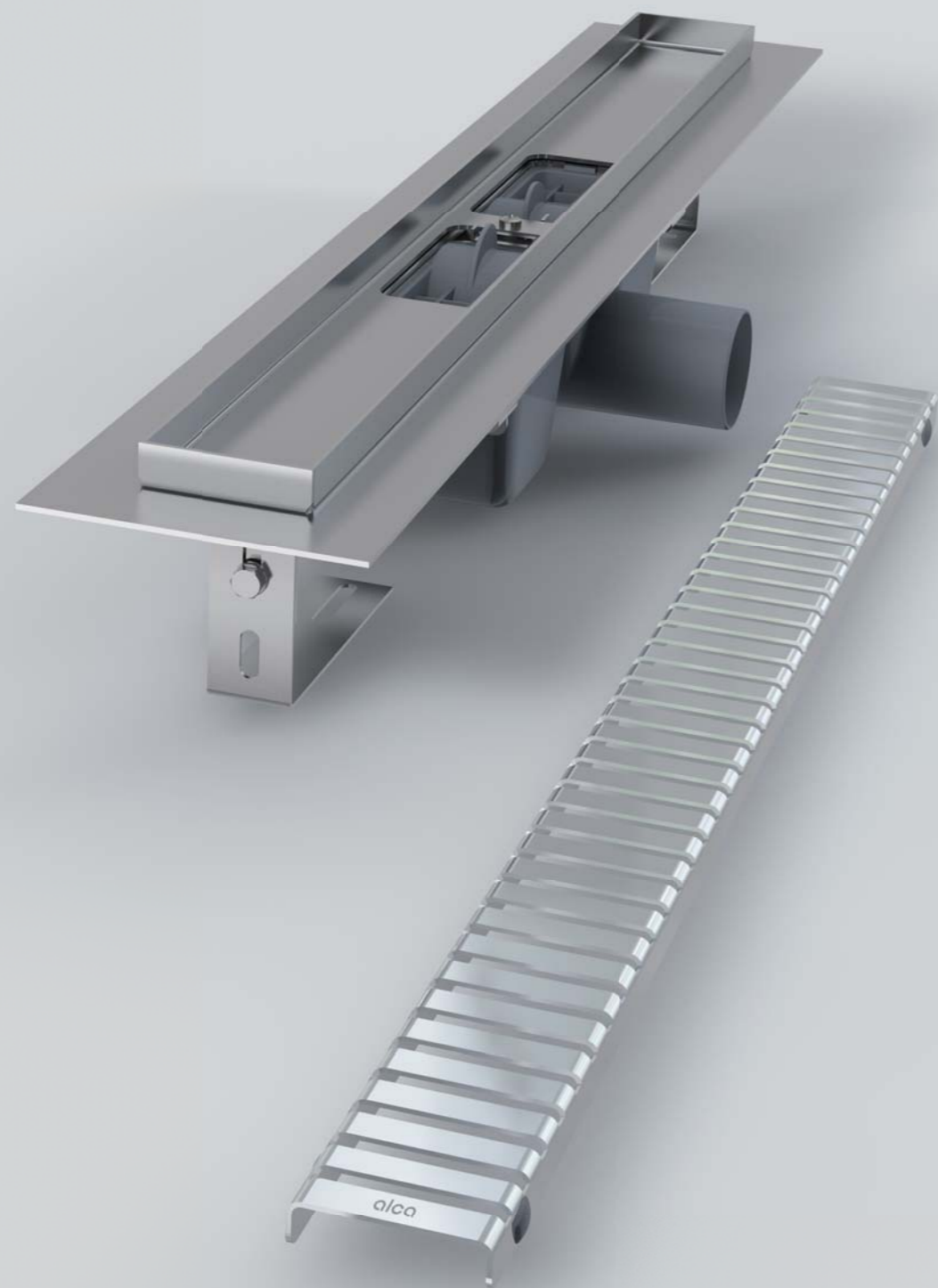


Quantity (packing) 1 pcs  
Quantity (pallet) -

**Z0952-ND**  
Hinges for A64SLIM, A67SLIM



Quantity (packing) 1 pcs  
Quantity (pallet) -



# Shower drains

Stainless steel shower drains	84
Stainless steel shower drains with fixed trap	84
Stainless steel shower drains for perforated grids	86
Stainless steel shower drains for full grids	90
Stainless steel shower drains Marble	93
Stainless steel shower drains with swivel trap	94
Fit and Go	96
Modular	97
Plastic shower drains	100
Plastic shower drains Simple with fixed trap	100
Plastic shower drains for perforated grids	102
Plastic shower drains for full grids	104
Plastic shower drains with a stainless steel edge	106
Plastic shower drains Optimal with fixed trap	108
Plastic shower drains with swivel trap	110
Stainless steel strips for sloped floor	115
Custom-made stainless steel shower drains	116



VIDEO

# Classification of shower drains



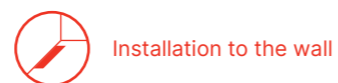
The basic classification is according to the material of the shower drain body – stainless steel and plastic. Stainless steel shower drains are popular for their high durability and long lifespan. They are available in two variants – with a fixed trap, which is stable and low-maintenance, and with a swivel trap, which offers variability when connecting to the waste pipe and facilitates installation.

Plastic shower drains are an economical solution available in three product series – Simple, Optimal, and with a swivel trap. Simple is a practical package that includes a shower drain with a grid. Optimal is intended for projects. The product series with a swivel trap ensures maximum flexibility when connecting to the waste pipe.

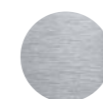
Thanks to this classification, it is easy to find a shower drain, that meets both the technical requirements of the installation and the aesthetic demands of the user.



Installation in space



Installation to the wall

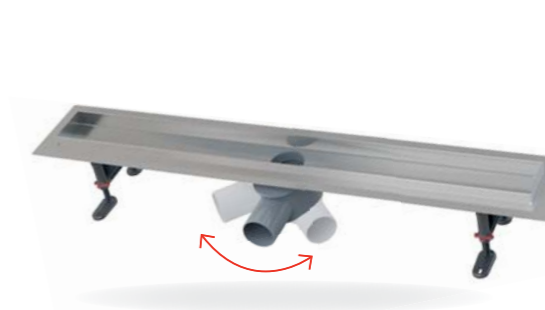


## Stainless steel shower drains



### 1.0 Stainless steel shower drains with fixed trap

- 1.01 Stainless steel shower drains for perforated grids
- 1.02 Stainless steel shower drains for full grids
- 1.03 Stainless steel shower drains Marble



### 2.0 Stainless steel shower drains with swivel trap

- 2.01 Stainless steel shower drains Fit and Go
- 2.02 Stainless steel shower drains Modular



## Plastic shower drains

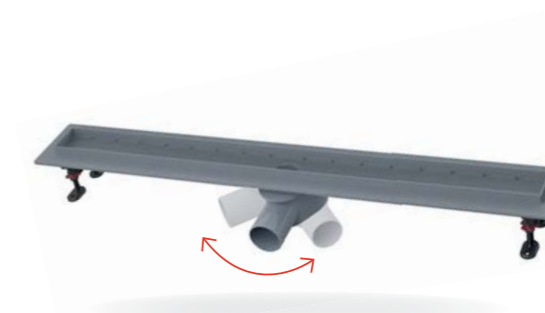


### 3.0 Plastic shower drains Simple with fixed trap

- 3.01 Plastic shower drains for perforated grids
- 3.02 Plastic shower drains for full grids
- 3.03 Plastic shower drains with a stainless steel edge



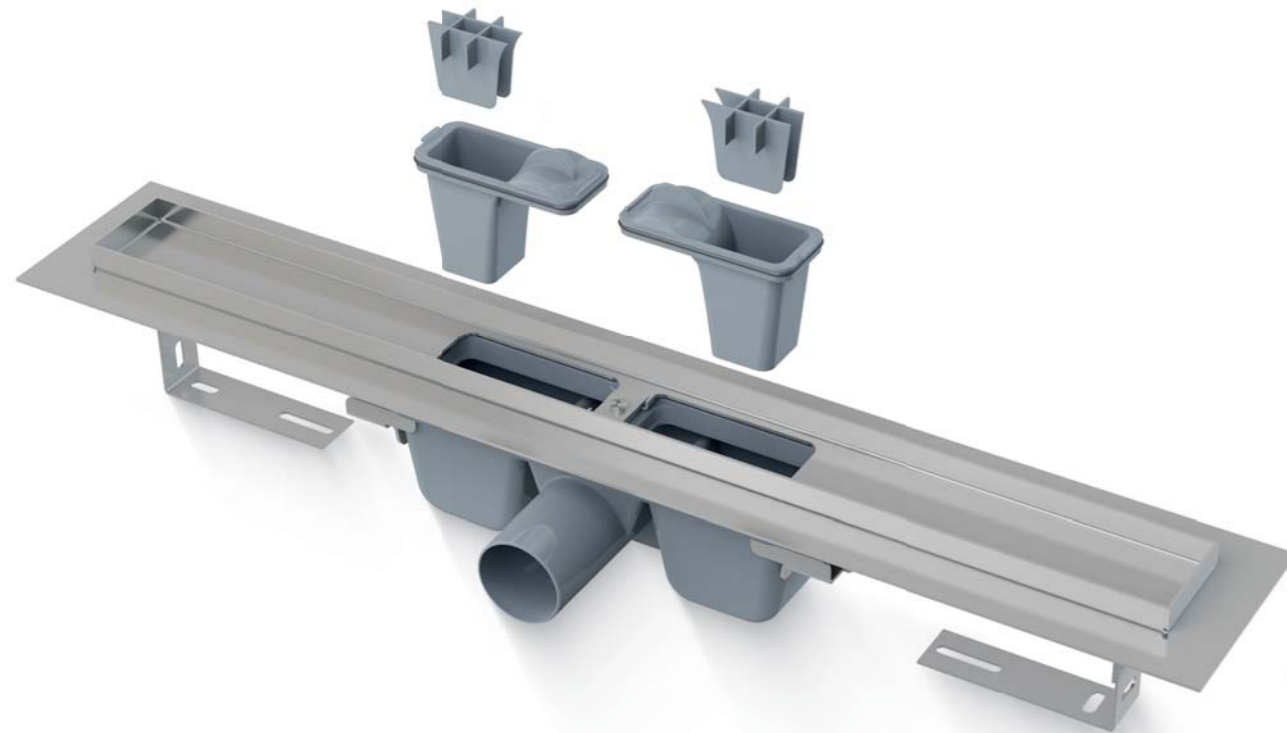
### 4.0 Plastic shower drains Optimal with fixed trap



### 5.0 Plastic shower drains with swivel trap

# Stainless steel shower drains with fixed trap

Top stainless steel shower drains Alca designed for perforated and full grids combine high quality workmanship, long lifespan, and wide installation options. Thanks to various shower drain heights, outlet directions, and placement options (in space and to the wall), they are an ideal choice for renovations and new buildings. The shower drains are made of durable stainless steel AISI 304 (DIN 1.4301), can withstand loads of up to 300 kg (class K3), and offer quick water drainage with a removable two-chamber trap.



## TECHNICAL SPECIFICATIONS

Total installation height	70–158 mm
Minimum floor thickness	55–85 mm
Resistance of odour trap against the pressure	575–982 Pa
Outlet pipe diameter	DN 40, DN 50 mm
Drain channel width	60 mm
Flow rate (EN 1253-1)	35–68,8 l/min
Load class (EN 1253-1)	K3 = max. 300 kg
Material – drain body	stainless steel DIN 1.4301
Material – odour trap	polypropylene
Drain channel length	300–1450 mm

**25** Year guarantee

**25** Year guarantee of spare parts availability



### Stainless steel shower drains for perforated grids

Grids are based on playful variations of geometric shapes.



Standard height  
85 mm

Flow rate up to  
68,8 l/min

Outlet pipe  
DN 50

See p. 86



Reduced height  
55 mm

Flow rate up to  
44 l/min

Outlet pipe  
DN 40

See p. 87



### Stainless steel shower drains for full grids

Stainless steel, glass, and tile-insert grids.



Standard height  
95 mm

Flow rate up to  
68,8 l/min

Outlet pipe  
DN 50

See p. 90

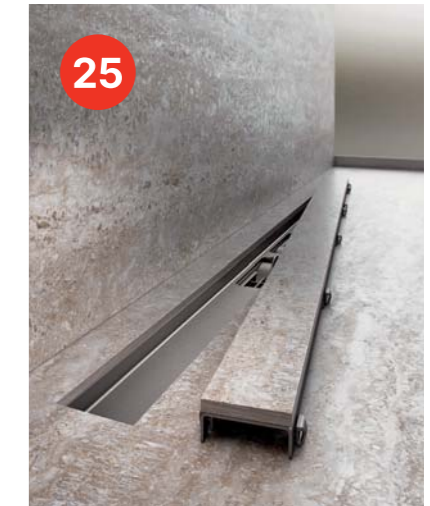


Reduced height  
65 mm

Flow rate up to  
44 l/min

Outlet pipe  
DN 40

See p. 91



### Stainless steel shower drains Marble

For large-format natural stone slabs and tiles of any thickness.



Standard height  
100 mm

Flow rate up to  
60 l/min

Outlet pipe  
DN 50

See p. 93



Reduced height  
70 mm






Flow rate  
35 l/min

Outlet pipe  
DN 40


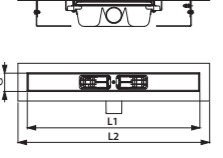

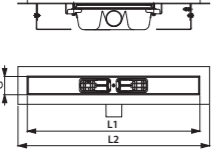

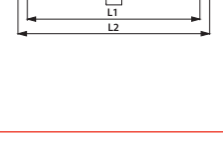

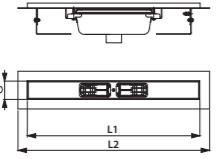

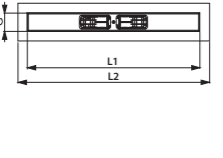
See p. 93


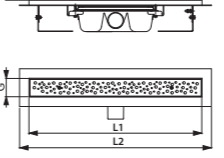

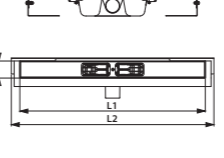

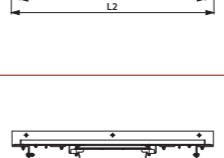

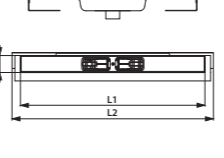

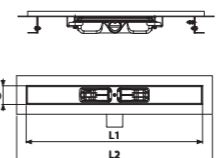

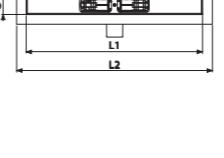

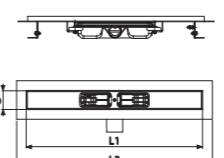

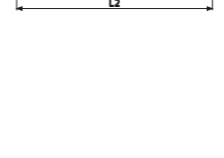
**STAINLESS STEEL SHOWER DRAINS FOR PERFORATED GRIDS**

In standard (85 mm) and reduced (55 mm) variants. Installation in space or to the wall, with side or vertical drain outlet.

-  **Installation in space**
-  **Installation to the wall**  
*Sliding vertical insulating flange 10–15 mm.*
-  **Side outlet**
-  **Bottom outlet**
-  **Standard height 85 mm**
-  **Reduced height 55 mm**

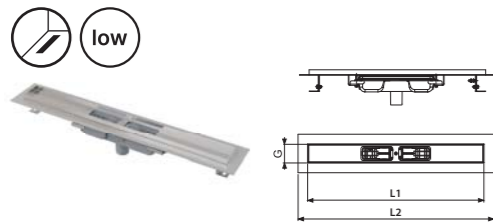
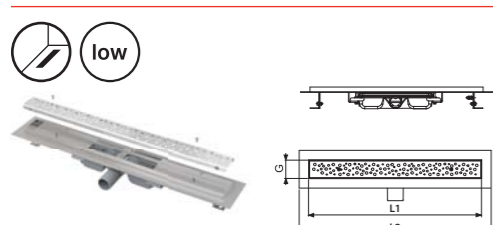
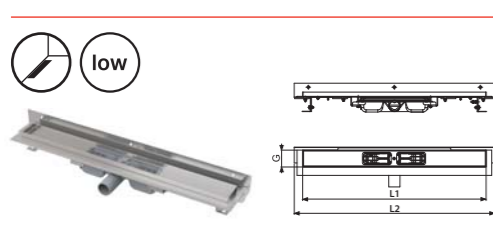
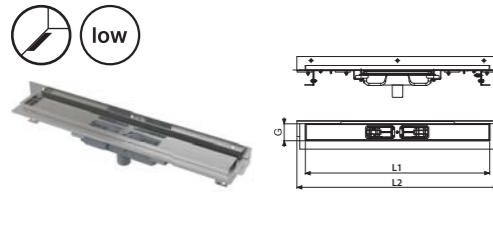


Product	Technical drawing	Installation options	Dimensions			Code
			L1 (mm)	L2 (mm)	G (mm)	
<b>Construction height to the flange: 85 mm (total construction height 100–158 mm, edge height 15 mm)</b>						
		<ul style="list-style-type: none"> <li>• Horizontal flange</li> <li>• Installation in space</li> <li>• Side outlet DN 50</li> <li>• Odour trap 50 mm</li> <li>• Flow rate 60 l/min</li> </ul>	300	360	60	APZ1-300
			550	610	60	APZ1-550
			650	710	60	APZ1-650
			750	810	60	APZ1-750
			850	910	60	APZ1-850
			950	1010	60	APZ1-950
			1050	1110	60	APZ1-1050
		<ul style="list-style-type: none"> <li>• Horizontal flange</li> <li>• Installation in space</li> <li>• Side outlet DN 50</li> <li>• Odour trap 50 mm</li> <li>• Flow rate 60 l/min</li> </ul>	1150	1210	60	APZ1-1150
			1450	1510	60	APZ1-1450
			300	360	60	APZ1BLACK-300
			550	610	60	APZ1BLACK-550
			650	710	60	APZ1BLACK-650
		<ul style="list-style-type: none"> <li>• Horizontal flange</li> <li>• Installation in space</li> <li>• Side outlet DN 50</li> <li>• Odour trap 50 mm</li> <li>• Flow rate 60 l/min</li> </ul>	750	810	60	APZ1BLACK-750
			850	910	60	APZ1BLACK-850
			950	1010	60	APZ1BLACK-950
			1050	1110	60	APZ1BLACK-1050
			1150	1210	60	APZ1BLACK-1150
		<ul style="list-style-type: none"> <li>• Horizontal flange</li> <li>• Installation in space</li> <li>• Bottom outlet DN 50</li> <li>• Odour trap 50 mm</li> <li>• Flow rate 68,8 l/min</li> </ul>	1450	1510	60	APZ1BLACK-1450
			300	360	60	APZ1001-300
			550	610	60	APZ1001-550
			650	710	60	APZ1001-650
			750	810	60	APZ1001-750
		<ul style="list-style-type: none"> <li>• Horizontal flange</li> <li>• Installation in space</li> <li>• Bottom outlet DN 50</li> <li>• Odour trap 50 mm</li> <li>• Flow rate 68,8 l/min</li> </ul>	850	910	60	APZ1001-850
			950	1010	60	APZ1001-950
			1050	1110	60	APZ1001-1050
			1150	1210	60	APZ1001-1150
			1450	1510	60	APZ1001-1450

Product	Technical drawing	Installation options	Dimensions			Code
			L1 (mm)	L2 (mm)	G (mm)	
<b>Construction height to the flange: 85 mm (total construction height 100–158 mm, edge height 15 mm)</b>						
		<ul style="list-style-type: none"> <li>• Horizontal flange</li> <li>• Installation in space</li> <li>• Side outlet DN 50</li> <li>• Odour trap 50 mm</li> <li>• Flow rate 60 l/min</li> <li>• Antivandal</li> </ul>	300	360	60	APZ11-300M
			550	610	60	APZ11-550M
			650	710	60	APZ11-650M
			750	810	60	APZ11-750M
			850	910	60	APZ11-850M
			950	1010	60	APZ11-950M
			1050	1110	60	APZ11-1050M
		<ul style="list-style-type: none"> <li>• Sliding vertical flange</li> <li>• Installation to the wall</li> <li>• Side outlet DN 50</li> <li>• Odour trap 50 mm</li> <li>• Flow rate 60 l/min</li> </ul>	1150	1210	60	APZ11-1150M
			550	610	60	APZ4-550
			650	710	60	APZ4-650
			750	810	60	APZ4-750
			850	910	60	APZ4-850
		<ul style="list-style-type: none"> <li>• Sliding vertical flange</li> <li>• Installation to the wall</li> <li>• Bottom outlet DN 50</li> <li>• Odour trap 50 mm</li> <li>• Flow rate 68,8 l/min</li> </ul>	950	1010	60	APZ4-950
			1050	1110	60	APZ4-1050
			1150	1210	60	APZ4-1150
			550	610	60	APZ1004-550
			650	710	60	APZ1004-650
		<ul style="list-style-type: none"> <li>• Sliding vertical flange</li> <li>• Installation to the wall</li> <li>• Bottom outlet DN 50</li> <li>• Odour trap 50 mm</li> <li>• Flow rate 68,8 l/min</li> </ul>	750	810	60	APZ1004-750
			850	910	60	APZ1004-850
			950	1010	60	APZ1004-950
			1050	1110	60	APZ1004-1050
			1150	1210	60	APZ1004-1150
<b>Construction height to the flange: 55 mm (total construction height 70–96 mm, edge height 15 mm)</b>						
		<ul style="list-style-type: none"> <li>• Horizontal flange</li> <li>• Installation in space</li> <li>• Side outlet DN 40</li> <li>• Odour trap 28 mm</li> <li>• Flow rate 35 l/min</li> </ul>	300	360	60	APZ101-300
			550	610	60	APZ101-550
			650	710	60	APZ101-650
			750	810	60	APZ101-750
			850	910	60	APZ101-850
			950	1010	60	APZ101-950
			1050	1110	60	APZ101-1050
		<ul style="list-style-type: none"> <li>• Horizontal flange</li> <li>• Installation in space</li> <li>• Side outlet DN 40</li> <li>• Odour trap 28 mm</li> <li>• Flow rate 35 l/min</li> </ul>	1150	1210	60	APZ101-1150
			1450	1510	60	APZ101-1450
			300	360	60	APZ101BLACK-300
			550	610	60	APZ101BLACK-550
			650	710	60	APZ101BLACK-650
		<ul style="list-style-type: none"> <li>• Horizontal flange</li> <li>• Installation in space</li> <li>• Side outlet DN 40</li> <li>• Odour trap 28 mm</li> <li>• Flow rate 35 l/min</li> </ul>	750	810	60	APZ101BLACK-750
			850	910	60	APZ101BLACK-850
			950	1010	60	APZ101BLACK-950
			1050	1110	60	APZ101BLACK-1050
			1150	1210	60	APZ101BLACK-1150
		<ul style="list-style-type: none"> <li>• Horizontal flange</li> <li>• Installation in space</li> <li>• Side outlet DN 40</li> <li>• Odour trap 28 mm</li> <li>• Flow rate 35 l/min</li> </ul>	1450	1510	60	APZ101BLACK-1450

Product	Technical drawing	Installation options	Dimensions			Code
			L1 (mm)	L2 (mm)	G (mm)	

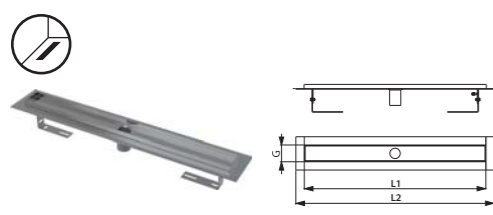
Construction height to the flange: 55 mm (total construction height 70–96 mm, edge height 15 mm)

 <ul style="list-style-type: none"> <li>Horizontal flange</li> <li>Installation in space</li> <li>Bottom outlet DN 40</li> <li>Odour trap 28 mm</li> <li>Flow rate 44 l/min</li> </ul>	300	360	60	APZ1101-300
	550	610	60	APZ1101-550
	650	710	60	APZ1101-650
	750	810	60	APZ1101-750
	850	910	60	APZ1101-850
	950	1010	60	APZ1101-950
	1050	1110	60	APZ1101-1050
 <ul style="list-style-type: none"> <li>Horizontal flange</li> <li>Installation in space</li> <li>Side outlet DN 40</li> <li>Odour trap 28 mm</li> <li>Flow rate 35 l/min</li> <li>Antivandal</li> </ul>	300	360	60	APZ1111-300M
	550	610	60	APZ1111-550M
	650	710	60	APZ1111-650M
	750	810	60	APZ1111-750M
	850	910	60	APZ1111-850M
	950	1010	60	APZ1111-950M
	1050	1110	60	APZ1111-1050M
 <ul style="list-style-type: none"> <li>Sliding vertical flange</li> <li>Installation to the wall</li> <li>Side outlet DN 40</li> <li>Odour trap 28 mm</li> <li>Flow rate 35 l/min</li> </ul>	550	610	60	APZ104-550
	650	710	60	APZ104-650
	750	810	60	APZ104-750
	850	910	60	APZ104-850
	950	1010	60	APZ104-950
	1050	1110	60	APZ104-1050
	1150	1210	60	APZ104-1150
 <ul style="list-style-type: none"> <li>Sliding vertical flange</li> <li>Installation to the wall</li> <li>Bottom outlet DN 40</li> <li>Odour trap 28 mm</li> <li>Flow rate 44 l/min</li> </ul>	550	610	60	APZ1104-550
	650	710	60	APZ1104-650
	750	810	60	APZ1104-750
	850	910	60	APZ1104-850
	950	1010	60	APZ1104-950
	1050	1110	60	APZ1104-1050
	1150	1210	60	APZ1104-1150





VARIANT WITHOUT TRAP

Product	Technical drawing	Installation options	Dimensions			Code
			L1 (mm)	L2 (mm)	G (mm)	

Construction height to the flange: 85 mm (total construction height 100–158 mm, edge height 15 mm)







 <ul style="list-style-type: none"> <li>Horizontal flange</li> <li>Installation in space</li> <li>Bottom outlet DN 40</li> <li>For connection to the central trap</li> <li>Flow rate &gt;80 l/min</li> </ul>	300	360	60	APZ2001-300
	550	610	60	APZ2001-550
	650	710	60	APZ2001-650
	750	810	60	APZ2001-750
	850	910	60	APZ2001-850
	950	1010	60	APZ2001-950
	1050	1110	60	APZ2001-1050
1150	1210	60	APZ2001-1150	

PERFORATED GRIDS FOR STAINLESS STEEL SHOWER DRAINS WITH A FIXED TRAP

 <p>Stainless steel-matt</p>	Code	LINE-300M	LINE-550M	LINE-650M	LINE-750M	LINE-850M	LINE-950M	LINE-1050M	LINE-1150M	LINE-1450M
	Length (mm)	300	550	650	750	850	950	1050	1150	1450
 <p>Stainless steel black-matt</p>	Code	PURE-300BLACK	PURE-550BLACK	PURE-650BLACK	PURE-750BLACK	PURE-850BLACK	PURE-950BLACK	PURE-1050BLACK	PURE-1150BLACK	PURE-1450BLACK
	Length (mm)	300	550	650	750	850	950	1050	1150	1450
 <p>Stainless steel-matt</p>	Code	PURE-300M	PURE-550M	PURE-650M	PURE-750M	PURE-850M	PURE-950M	PURE-1050M	PURE-1150M	PURE-1450M
	Length (mm)	300	550	650	750	850	950	1050	1150	1450
 <p>Stainless steel-matt</p>	Code	BUBLE-300M	BUBLE-550M	BUBLE-650M	BUBLE-750M	BUBLE-850M	BUBLE-950M	BUBLE-1050M	BUBLE-1150M	BUBLE-1450M
	Length (mm)	300	550	650	750	850	950	1050	1150	1450

### STAINLESS STEEL SHOWER DRAINS FOR FULL GRIDS


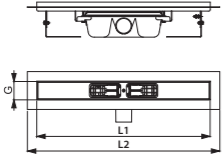
In standard (95 mm) and reduced (65 mm) variants. Installation in space or to the wall, with side or vertical drain outlet.

-  Installation in space
-  Installation to the wall
-  Side outlet
-  Bottom outlet
-  Standard height 95 mm
-  Reduced height 65 mm




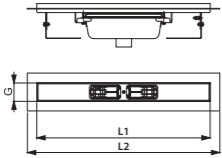
Product	Technical drawing	Installation options	Dimensions			Code
			L1 (mm)	L2 (mm)	G (mm)	

**Construction height to the flange: 95 mm (total construction height 110–168 mm, edge height 15 mm)**


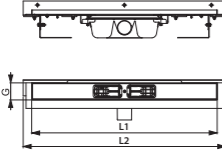
- Horizontal flange
- Installation in space
- Side outlet DN 50
- Odour trap 50 mm
- Flow rate 60 l/min

300	360	60	APZ6-300
550	610	60	APZ6-550
650	710	60	APZ6-650
750	810	60	APZ6-750
850	910	60	APZ6-850
950	1010	60	APZ6-950
1050	1110	60	APZ6-1050
1150	1210	60	APZ6-1150

- Horizontal flange
- Installation in space
- Bottom outlet DN 50
- Odour trap 50 mm
- Flow rate 68,8 l/min

300	360	60	APZ1006-300
550	610	60	APZ1006-550
650	710	60	APZ1006-650
750	810	60	APZ1006-750
850	910	60	APZ1006-850
950	1010	60	APZ1006-950
1050	1110	60	APZ1006-1050
1150	1210	60	APZ1006-1150


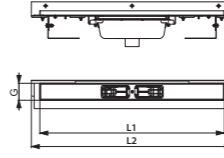



- Vertical flange
- Installation to the wall
- Side outlet DN 50
- Odour trap 50 mm
- Flow rate 60 l/min

300	360	60	APZ16-300
550	610	60	APZ16-550
650	710	60	APZ16-650
750	810	60	APZ16-750
850	910	60	APZ16-850
950	1010	60	APZ16-950
1050	1110	60	APZ16-1050
1150	1210	60	APZ16-1150

Product	Technical drawing	Installation options	Dimensions			Code
			L1 (mm)	L2 (mm)	G (mm)	


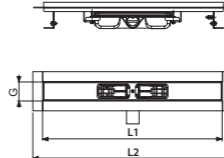
**Construction height to the flange: 95 mm (total construction height 110–168 mm, edge height 15 mm)**

- Vertical flange
- Installation to the wall
- Bottom outlet DN 50
- Odour trap 50 mm
- Flow rate 68,8 l/min


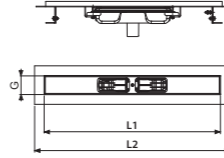
300	360	60	APZ1016-300
550	610	60	APZ1016-550
650	710	60	APZ1016-650
750	810	60	APZ1016-750
850	910	60	APZ1016-850
950	1010	60	APZ1016-950
1050	1110	60	APZ1016-1050
1150	1210	60	APZ1016-1150

**Construction height to the flange: 65 mm (total construction height 80–106 mm, edge height 15 mm)**


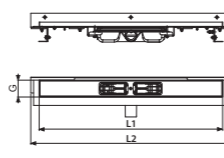
- Horizontal flange
- Installation in space
- Side outlet DN 40
- Odour trap 28 mm
- Flow rate 35 l/min

300	360	60	APZ106-300
550	610	60	APZ106-550
650	710	60	APZ106-650
750	810	60	APZ106-750
850	910	60	APZ106-850
950	1010	60	APZ106-950
1050	1110	60	APZ106-1050
1150	1210	60	APZ106-1150


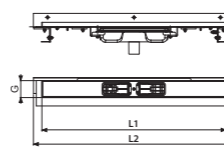
- Horizontal flange
- Installation in space
- Side outlet DN 40
- Odour trap 28 mm
- Flow rate 44 l/min

300	360	60	APZ1106-300
550	610	60	APZ1106-550
650	710	60	APZ1106-650
750	810	60	APZ1106-750
850	910	60	APZ1106-850
950	1010	60	APZ1106-950
1050	1110	60	APZ1106-1050
1150	1210	60	APZ1106-1150

- Vertical flange
- Installation to the wall
- Side outlet DN 40
- Odour trap 28 mm
- Flow rate 35 l/min


300	360	60	APZ116-300
550	610	60	APZ116-550
650	710	60	APZ116-650
750	810	60	APZ116-750
850	910	60	APZ116-850
950	1010	60	APZ116-950
1050	1110	60	APZ116-1050
1150	1210	60	APZ116-1150


- Vertical flange
- Installation to the wall
- Bottom outlet DN 40
- Odour trap 30 mm
- Flow rate 40 l/min

300	360	60	APZ1116-300
550	610	60	APZ1116-550
650	710	60	APZ1116-650
750	810	60	APZ1116-750
850	910	60	APZ1116-850
950	1010	60	APZ1116-950
1050	1110	60	APZ1116-1050
1150	1210	60	APZ1116-1150


FULL GRIDS FOR STAINLESS STEEL SHOWER DRAINS WITH A FIXED TRAP

 **i** Stainless steel-matt


Code	POSH-300MN	POSH-550MN	POSH-650MN	POSH-750MN	POSH-850MN	POSH-950MN	POSH-1050MN	POSH-1150MN
Length (mm)	300	550	650	750	850	950	1050	1150

 **i** Stainless steel-matt


Code	DESIGN-300MN	DESIGN-550MN	DESIGN-650MN	DESIGN-750MN	DESIGN-850MN	DESIGN-950MN	DESIGN-1050MN	DESIGN-1150MN
Length (mm)	300	550	650	750	850	950	1050	1150

 **i** For embedding tiles

Code	FLOOR-300	FLOOR-550	FLOOR-650	FLOOR-750	FLOOR-850	FLOOR-950	FLOOR-1050	FLOOR-1150
Length (mm)	300	550	650	750	850	950	1050	1150

 **i** Glass-white

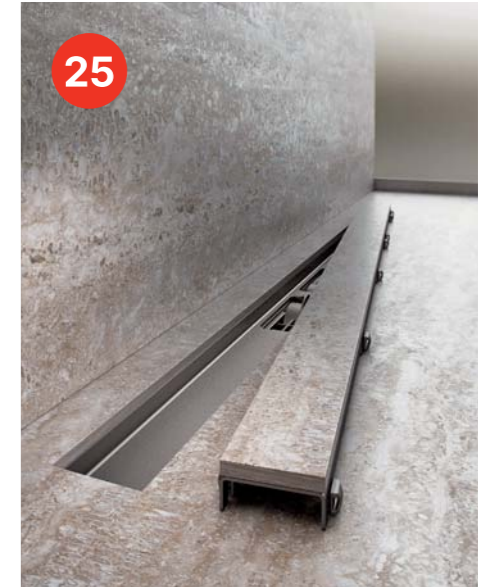
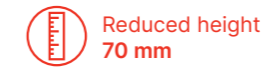
Code	GL1200-300	GL1200-550	GL1200-650	GL1200-750	GL1200-850	GL1200-950	GL1200-1050	GL1200-1150
Length (mm)	300	550	650	750	850	950	1050	1150

 **i** Glass-black

Code	GL1204-300	GL1204-550	GL1204-650	GL1204-750	GL1204-850	GL1204-950	GL1204-1050	GL1204-1150
Length (mm)	300	550	650	750	850	950	1050	1150

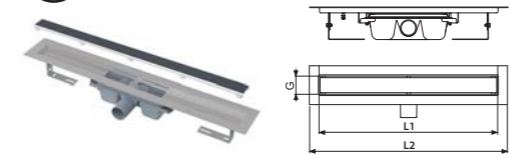
STAINLESS STEEL SHOWER DRAINS MARBLE FOR FULL GRID

Thanks to the fact that the shower drain and grid have no edges, you are not limited in any way when choosing tiles. You can use the surface of any height, from ultra-thin large-format tiles to robust natural stone slabs.



Product	Technical drawing	Installation options	Dimensions			Code
			L1 (mm)	L2 (mm)	G (mm)	

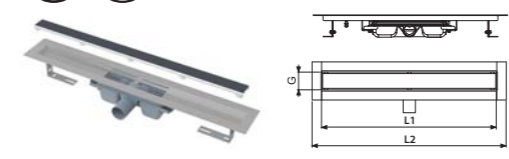
Construction height to the flange: 100–158 mm



- Horizontal flange
- Installation in space
- Side outlet DN 50
- Odour trap 50 mm
- Flow rate 60 l/min

300	360	56	APZ15-300
550	610	56	APZ15-550
650	710	56	APZ15-650
750	810	56	APZ15-750
850	910	56	APZ15-850
950	1010	56	APZ15-950
1050	1110	56	APZ15-1050
1150	1210	56	APZ15-1150

Construction height to the flange: 70–97 mm



- Horizontal flange
- Installation in space
- Side outlet DN 40
- Odour trap 28 mm
- Flow rate 35 l/min

300	360	56	APZ115-300
550	610	56	APZ115-550
650	710	56	APZ115-650
750	810	56	APZ115-750
850	910	56	APZ115-850
950	1010	56	APZ115-950
1050	1110	56	APZ115-1050
1150	1210	56	APZ115-1150

# Stainless steel shower drains with swivel trap

Top stainless steel shower drains Alca designed for perforated and full grids combine high quality workmanship, long lifespan, and wide installation options. Due to various heights of the shower drains, directions of outlet, and placement options (in the space or to the wall), they are an ideal choice for renovations and new buildings. The shower drains are made of durable stainless steel AISI 304 (DIN 1.4301), can withstand loads of up to 300 kg (class K3), and offer quick water drainage with a swivel trap.

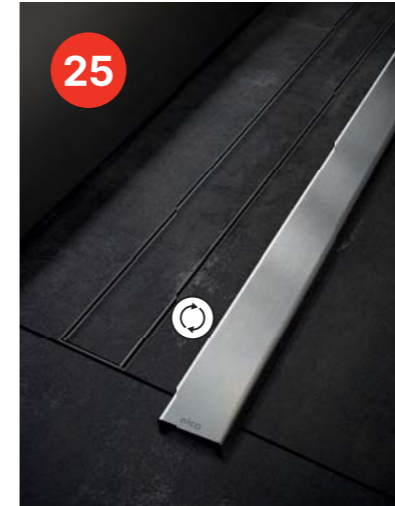


## TECHNICAL SPECIFICATIONS

Total installation height	69–170 mm
Minimum floor thickness	54–105 mm
Resistance of odour trap against the pressure	270–540 Pa
Outlet pipe diameter	DN 40, DN 50 mm
Drain channel width	71 mm
Flow rate (EN 1253-1)	40–58 l/min
Load class (EN 1253-1)	K3 = max. 300 kg
Material – drain body	stainless steel DIN 1.4301
Material – odour trap	polypropylene
Drain channel length	550–950 mm

**25** Year guarantee

**25** Year guarantee of spare parts availability



### Stainless steel shower drains Fit and Go

Two-sided grid – full or tile-insert.



Standard height  
81 mm



Flow rate up to  
50 l/min

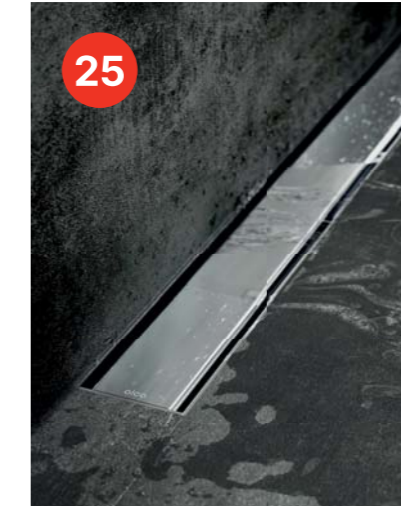


Outlet pipe  
DN 50



Swivel trap

See p. 96



### Stainless steel shower drains Modular

Perforated, full and tile-insert grids.



Heights  
54 mm, 81 mm, 105 mm



Flow rate up to  
58 l/min



Outlet pipe  
DN 40, DN 50









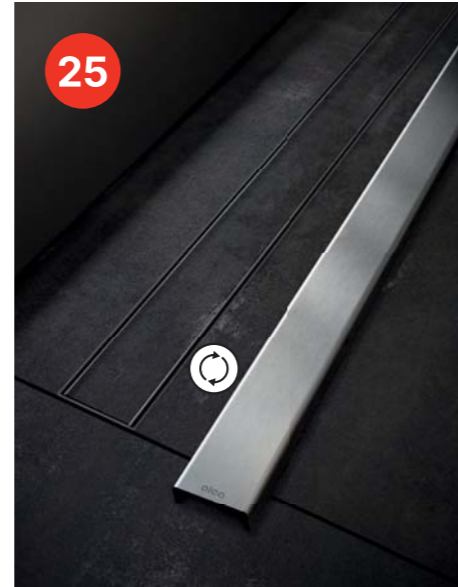
Swivel trap

See p. 97

### STAINLESS STEEL SHOWER DRAINS APZ13, APZ23 FIT AND GO WITH TWO-SIDED GRID

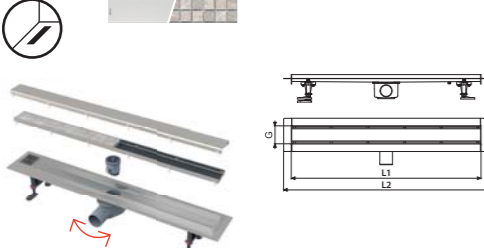
Sets APZ13 and APZ23 Fit and Go include a stainless steel shower drain, two heights of traps, and a two-sided grid DOUBLE.

-  Installation in space
-  Installation to the wall
-  Side outlet
-  Standard height 81 mm
-  Reduced height 54 mm
-  Swivel trap
-  All in package



Product	Technical drawing	Installation options	Dimensions			Code
			L1 (mm)	L2 (mm)	G (mm)	

Construction height to the flange: 81 mm (total construction height 96–150 mm, edge height 15 mm)



- Horizontal flange
- Installation in space
- Side outlet DN 50
- Odour trap 30 mm
- Flow rate 50 l/min

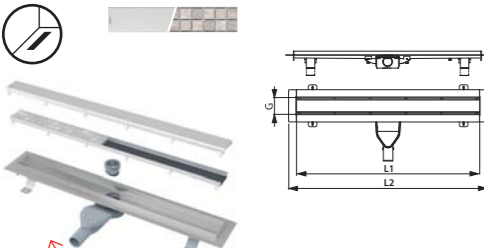
550	610	71	APZ13-DOUBLE9-550
650	710	71	APZ13-DOUBLE9-650
750	810	71	APZ13-DOUBLE9-750
850	910	71	APZ13-DOUBLE9-850
950	1010	71	APZ13-DOUBLE9-950



- Vertical flange
- Installation to the wall
- Side outlet DN 50
- Odour trap 30 mm
- Flow rate 50 l/min

750	810	71	APZ23-DOUBLE9-750
850	910	71	APZ23-DOUBLE9-850
950	1010	71	APZ23-DOUBLE9-950

Construction height to the flange: 54 mm (total construction height 69–86 mm, edge height 15 mm)



- Horizontal flange
- Installation in space
- Side outlet DN 40
- Odour trap 31 mm
- Flow rate 40 l/min

750	810	71	APZ13-DOUBLE6-750
850	910	71	APZ13-DOUBLE6-850
950	1010	71	APZ13-DOUBLE6-950

### STAINLESS STEEL SHOWER DRAINS APZ13, APZ23 MODULAR

Stainless steel shower drains APZ13 and APZ23 Modular have been designed as modular products according to current standards in Western markets. There are three length variants with three optional waste traps and seven grids.

-  Installation in space
-  Installation to the wall
-  Side outlet
-  Three construction heights 54 mm, 81 mm, 105 mm
-  Swivel trap



#### Modular system – assemble your shower drain according to your needs

We offer three length variants of the shower drain body with three optional traps and three grids.

- ① Drain body    ② Trap    ③ Grid

Order separately the shower drain body, trap and grid.



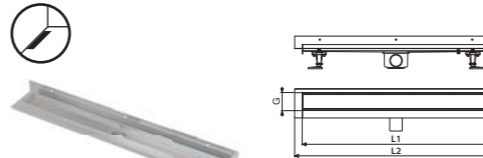
Product	Technical drawing	Installation options	Dimensions			Code
			L1 (mm)	L2 (mm)	G (mm)	

Construction height according to selected trap



- Horizontal flange
- Installation in space

750	810	71	APZ13-750
850	910	71	APZ13-850
950	1010	71	APZ13-950



- Vertical flange
- Installation to the wall

750	810	71	APZ23-750
850	910	71	APZ23-850
950	1010	71	APZ23-950

**STAINLESS STEEL SHOWER DRAINS APZ13, APZ23 MODULAR**

Product	Technical drawing	Installation options	Dimensions			Code
			L1 (mm)	L2 (mm)	G (mm)	

Construction height to the flange: 54 mm (total construction height 69–86 mm, edge height 15 mm)



- Side outlet DN 40
- Odour trap 31 mm
- Flow rate 40 l/min

APZ-S6

Construction height to the flange: 81 mm (total construction height 96–150 mm, edge height 15 mm)



- Side outlet DN 50
- Odour trap 30 mm
- Flow rate 50 l/min

APZ-S9

Construction height to the flange: 105 mm (total construction height 120–170 mm, edge height 15 mm)



- Side outlet DN 50
- Odour trap 50 mm
- Flow rate 58 l/min

APZ-S12

**PERFORATED AND FULL GRIDS FOR STAINLESS STEEL SHOWER DRAINS MODULAR**



**i** Stainless steel-matt

Code	ZIP-750M	ZIP-850M	ZIP-950M
Length (mm)	750	850	950



**i** Stainless steel-matt / For embedding tiles

Code	DOUBLE-750M	DOUBLE-850M	DOUBLE-950M
Length (mm)	750	850	950



**i** Stainless steel-matt

Code	SPACE-750M	SPACE-850M	SPACE-950M
Length (mm)	750	850	950

**P095**

Set of combined odour traps for stainless steel shower drains Alca (standard building height)



Quantity (packing) 1 pc  
Quantity (pallet) - pcs

**P143**

Combined odour trap SMART for APZ-S6



Quantity (packing) 1 pc  
Quantity (pallet) - pcs

**P144**

Combined odour trap SMART for APZ-S9



Quantity (packing) 1 pc  
Quantity (pallet) - pcs

**P145**

Combined odour trap SMART for APZ-S12



Quantity (packing) 1 pc  
Quantity (pallet) - pcs

**Z1024-ND**

Odour trap for APZ-S6



Quantity (packing) 1 pc  
Quantity (pallet) - pcs

**Z1023-ND**

Odour trap for APZ-S9



Quantity (packing) 1 pc  
Quantity (pallet) - pcs

**Z1025-ND**

Odour trap for APZ-S12



Quantity (packing) 1 pc  
Quantity (pallet) - pcs

**AHP80**

Waterproof tape – length 1200 mm



Quantity (packing) 1 pc  
Quantity (pallet) - pcs

## Plastic shower drains Simple with fixed trap

Plastic shower drains Simple designed for perforated and full grids are made of highly durable plastic that withstands chemicals. You can place them in the space or to the wall, and due to their low construction height (62 mm), they are an ideal choice for renovations and constructions where there is a problem with lack of floor space. The shower drains can handle loads of up to 300 kg (class K3) and offer a combined odour trap.

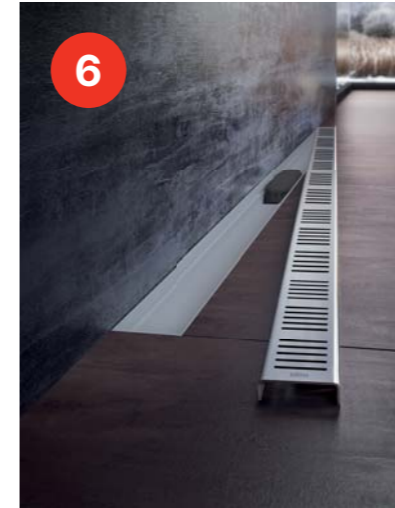


### TECHNICAL SPECIFICATIONS

Total installation height	74–111 mm
Minimum floor thickness	62 mm
Resistance of odour trap against the pressure	640 Pa
Outlet pipe diameter	DN 40 mm
Drain channel width	60–64 mm
Flow rate (EN 1253-1)	24–28 l/min
Load class (EN 1253-1)	K3 = max. 300 kg
Material – drain body	polypropylene
Material – odour trap	polypropylene
Drain channel length	550–950 mm

**6** Year guarantee


**25** Year guarantee of spare parts availability




#### Plastic shower drains for perforated grids

Lightweight and durable shower drains designed for installation with perforated grids.

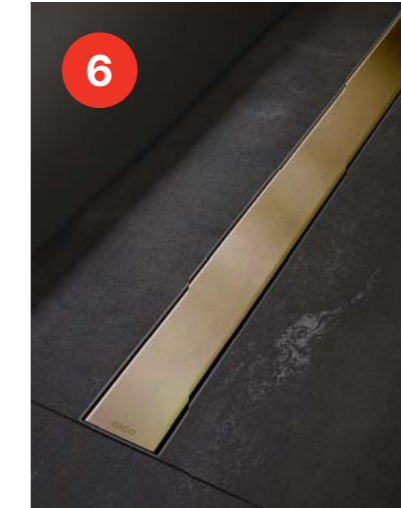


 Standard height  
62 mm

 Flow rate up to  
28 l/min

 Outlet pipe  
DN 40

See p. 102




#### Plastic shower drains for full grids

Solution for safe and reliable water drainage with full grids.

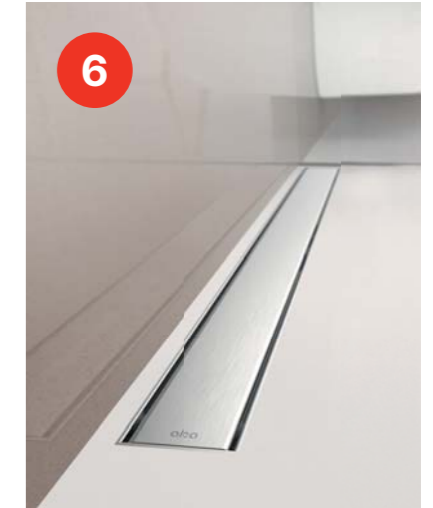


 Standard height  
62 mm

 Flow rate up to  
24 l/min

 Outlet pipe  
DN 40

See p. 104




#### Plastic shower drains with stainless steel edge

Economic variant supplemented with a stainless steel edge.



 Standard height  
62 mm





 Flow rate up to  
24 l/min

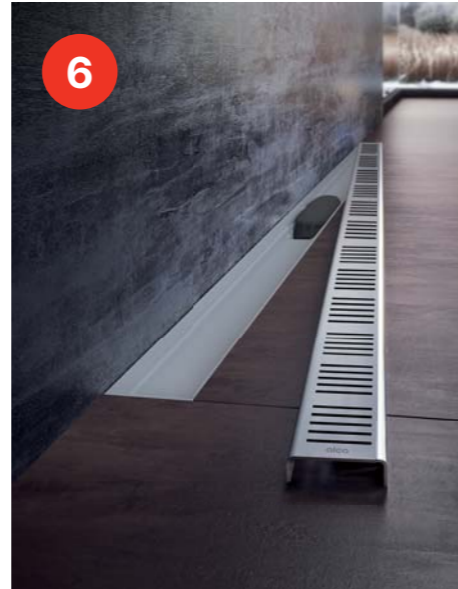
 Outlet pipe  
DN 40

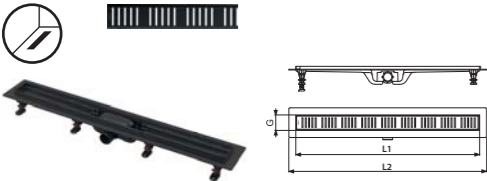
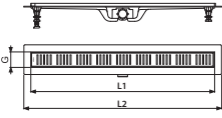
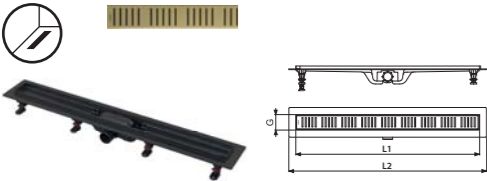
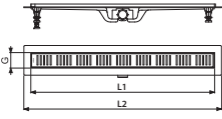
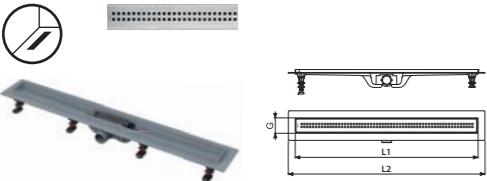
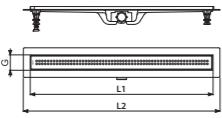
See p. 106

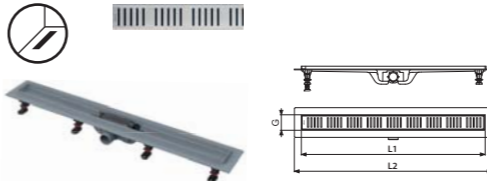
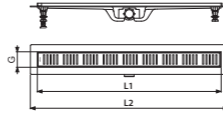
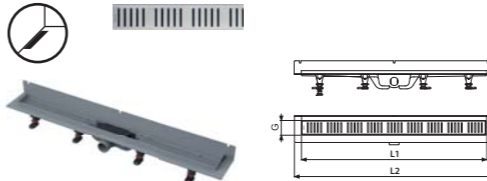
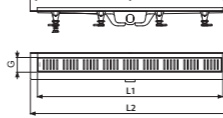
**PLASTIC SHOWER DRAINS FOR PERFORATED GRIDS**

In the standard (62 mm) variant. Installation in space or to the wall, with side drain outlet.

-  Installation in space
-  Installation to the wall
-  Side outlet
-  Standard height 62 mm
-  All in package



Product	Technical drawing	Installation options	Dimensions			Code
			L1 (mm)	L2 (mm)	G (mm)	
<b>Construction height to the flange: 62 mm (total construction height 74–110 mm, edge height 12 mm)</b>						
		<ul style="list-style-type: none"> <li>• Horizontal flange</li> <li>• Installation in space</li> <li>• Side outlet DN 40</li> <li>• Odour trap 29 mm</li> <li>• Flow rate 28 l/min</li> </ul>	550	610	60	APZ10BLACK-550M
			650	710	60	APZ10BLACK-650M
			750	810	60	APZ10BLACK-750M
			850	910	60	APZ10BLACK-850M
			950	1010	60	APZ10BLACK-950M
		<ul style="list-style-type: none"> <li>• Horizontal flange</li> <li>• Installation in space</li> <li>• Side outlet DN 40</li> <li>• Odour trap 29 mm</li> <li>• Flow rate 28 l/min</li> </ul>	550	610	60	APZ10BLACK-550BRASS
			650	710	60	APZ10BLACK-650BRASS
			750	810	60	APZ10BLACK-750BRASS
			850	910	60	APZ10BLACK-850BRASS
			950	1010	60	APZ10BLACK-950BRASS
		<ul style="list-style-type: none"> <li>• Horizontal flange</li> <li>• Installation in space</li> <li>• Side outlet DN 40</li> <li>• Odour trap 29 mm</li> <li>• Flow rate 28 l/min</li> </ul>	550	610	60	APZ9-550M
			650	710	60	APZ9-650M
			750	810	60	APZ9-750M
			850	910	60	APZ9-850M
			950	1010	60	APZ9-950M

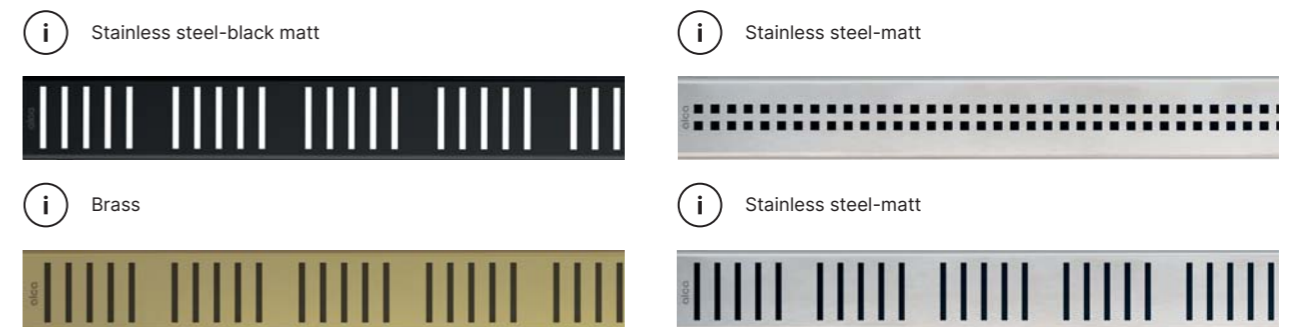
Product	Technical drawing	Installation options	Dimensions			Code
			L1 (mm)	L2 (mm)	G (mm)	
<b>Construction height to the flange: 62 mm (total construction height 74–110 mm, edge height 12 mm)</b>						
		<ul style="list-style-type: none"> <li>• Horizontal flange</li> <li>• Installation in space</li> <li>• Side outlet DN 40</li> <li>• Odour trap 29 mm</li> <li>• Flow rate 28 l/min</li> </ul>	550	610	60	APZ10-550M
			650	710	60	APZ10-650M
			750	810	60	APZ10-750M
			850	910	60	APZ10-850M
			950	1010	60	APZ10-950M
		<ul style="list-style-type: none"> <li>• Vertical flange</li> <li>• Installation to the wall</li> <li>• Side outlet DN 40</li> <li>• Odour trap 29 mm</li> <li>• Flow rate 28 l/min</li> </ul>	650	710	60	APZ30-650M
			750	810	60	APZ30-750M
			850	910	60	APZ30-850M

**SPZ06-ND**  
Odour trap for plastic shower drains APZ19, APZ20



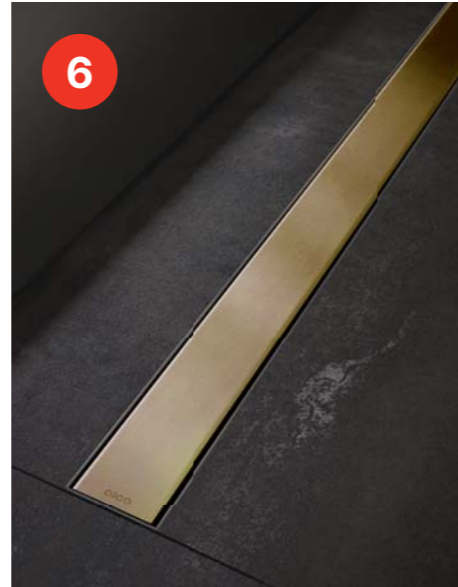
Quantity (packing) 1 pc  
Quantity (pallet) - pcs

**PERFORATED GRIDS FOR PLASTIC SHOWER DRAINS SIMPLE**



### PLASTIC SHOWER DRAINS FOR FULL GRIDS

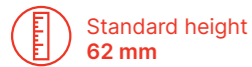
In the standard (62 mm) variant. Installation in space with side drain outlet, packaged with a full two-sided grid.



Installation in space



Side outlet



Standard height 62 mm



All in package

Product	Technical drawing	Installation options	Dimensions			Code
			L1 (mm)	L2 (mm)	G (mm)	

Construction height to the flange: 62 mm (total construction height 74–110 mm, edge height 12 mm)

<ul style="list-style-type: none"> <li>Horizontal flange</li> <li>Installation in space</li> <li>Side outlet DN 40</li> <li>Odour trap 25 mm</li> <li>Flow rate 24 l/min</li> </ul>	550	610	62	APZ19-550
	650	710	62	APZ19-650
	750	810	62	APZ19-750
	850	910	62	APZ19-850
	950	1010	62	APZ19-950

<ul style="list-style-type: none"> <li>Horizontal flange</li> <li>Installation in space</li> <li>Side outlet DN 40</li> <li>Odour trap 25 mm</li> <li>Flow rate 24 l/min</li> </ul>	550	610	62	APZ19BLACK-550-G-B
	650	710	62	APZ19BLACK-650-G-B
	750	810	62	APZ19BLACK-750-G-B
	850	910	62	APZ19BLACK-850-G-B
	950	1010	62	APZ19BLACK-950-G-B

<ul style="list-style-type: none"> <li>Horizontal flange</li> <li>Installation in space</li> <li>Side outlet DN 40</li> <li>Odour trap 25 mm</li> <li>Flow rate 24 l/min</li> </ul>	550	610	62	APZ19BLACK-550-RG-B
	650	710	62	APZ19BLACK-650-RG-B
	750	810	62	APZ19BLACK-750-RG-B
	850	910	62	APZ19BLACK-850-RG-B
	950	1010	62	APZ19BLACK-950-RG-B

Product	Technical drawing	Installation options	Dimensions			Code
			L1 (mm)	L2 (mm)	G (mm)	

Construction height to the flange: 62 mm (total construction height 74–110 mm, edge height 12 mm)

<ul style="list-style-type: none"> <li>Horizontal flange</li> <li>Installation in space</li> <li>Side outlet DN 40</li> <li>Odour trap 25 mm</li> <li>Flow rate 24 l/min</li> </ul>	550	610	62	APZ19BLACK-550-N-B
	650	710	62	APZ19BLACK-650-N-B
	750	810	62	APZ19BLACK-750-N-B
	850	910	62	APZ19BLACK-850-N-B
	950	1010	62	APZ19BLACK-950-N-B

<ul style="list-style-type: none"> <li>Horizontal flange</li> <li>Installation in space</li> <li>Side outlet DN 40</li> <li>Odour trap 25 mm</li> <li>Flow rate 24 l/min</li> </ul>	550	610	62	APZ19BLACK-550-GM-B
	650	710	62	APZ19BLACK-650-GM-B
	750	810	62	APZ19BLACK-750-GM-B
	850	910	62	APZ19BLACK-850-GM-B
	950	1010	62	APZ19BLACK-950-GM-B

<ul style="list-style-type: none"> <li>Horizontal flange</li> <li>Installation in space</li> <li>Side outlet DN 40</li> <li>Odour trap 25 mm</li> <li>Flow rate 24 l/min</li> </ul>	550	610	62	APZ19BLACK-550
	650	710	62	APZ19BLACK-650
	750	810	62	APZ19BLACK-750
	850	910	62	APZ19BLACK-850
	950	1010	62	APZ19BLACK-950

### FULL GRIDS FOR PLASTIC SHOWER DRAINS SIMPLE

**i** Gold-brushed matt stainless steel



**i** Rose gold-brushed matt stainless steel



**i** Nickel-brushed matt stainless steel



**i** Gun metal-brushed matt stainless steel



**i** Stainless steel-matt / For embedding tiles



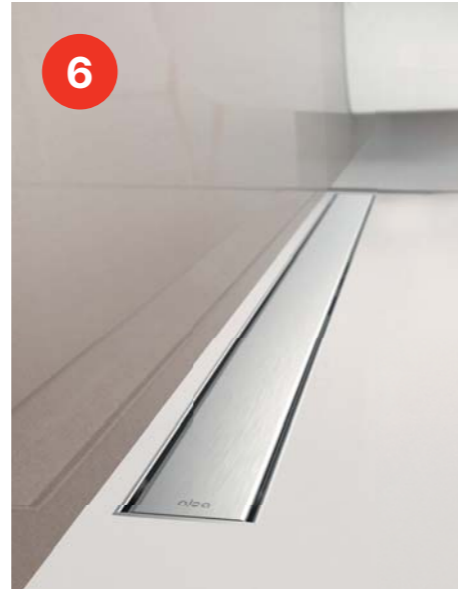
**i** Stainless steel-black matt / For embedding tiles



### PLASTIC SHOWER DRAINS WITH STAINLESS STEEL EDGE

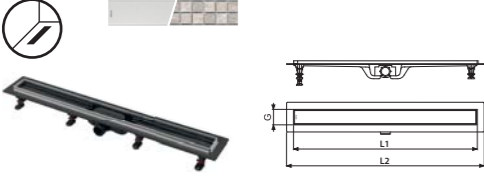
In the standard (62 mm) variant. Installation in space with side drain outlet, packaged with a full two-sided grid.

-  Installation in space
-  Side outlet
-  Standard height 62 mm
-  All in package



Product	Technical drawing	Installation options	Dimensions			Code
			L1 (mm)	L2 (mm)	G (mm)	

Construction height to the flange: 62 mm (total construction height 75–111 mm, edge height 13 mm)




- Horizontal flange
- Installation in space
- Side outlet DN 40
- Odour trap 25 mm
- Flow rate 24 l/min

550	610	64	APZ20-550
650	710	64	APZ20-650
750	810	64	APZ20-750
850	910	64	APZ20-850
950	1010	64	APZ20-950



**Plastic shower drains with stainless steel edge**  
 Represent an economical solution in the segment of shower drains and it offers an optimal price quality ratio. The grid and the edge of plastic shower drain are made of high quality stainless steel. Other plastic parts of the shower drain and odour trap remain hidden in the floor.

### TWO-SIDED GRID FOR PLASTIC SHOWER DRAIN WITH STAINLESS STEEL EDGE

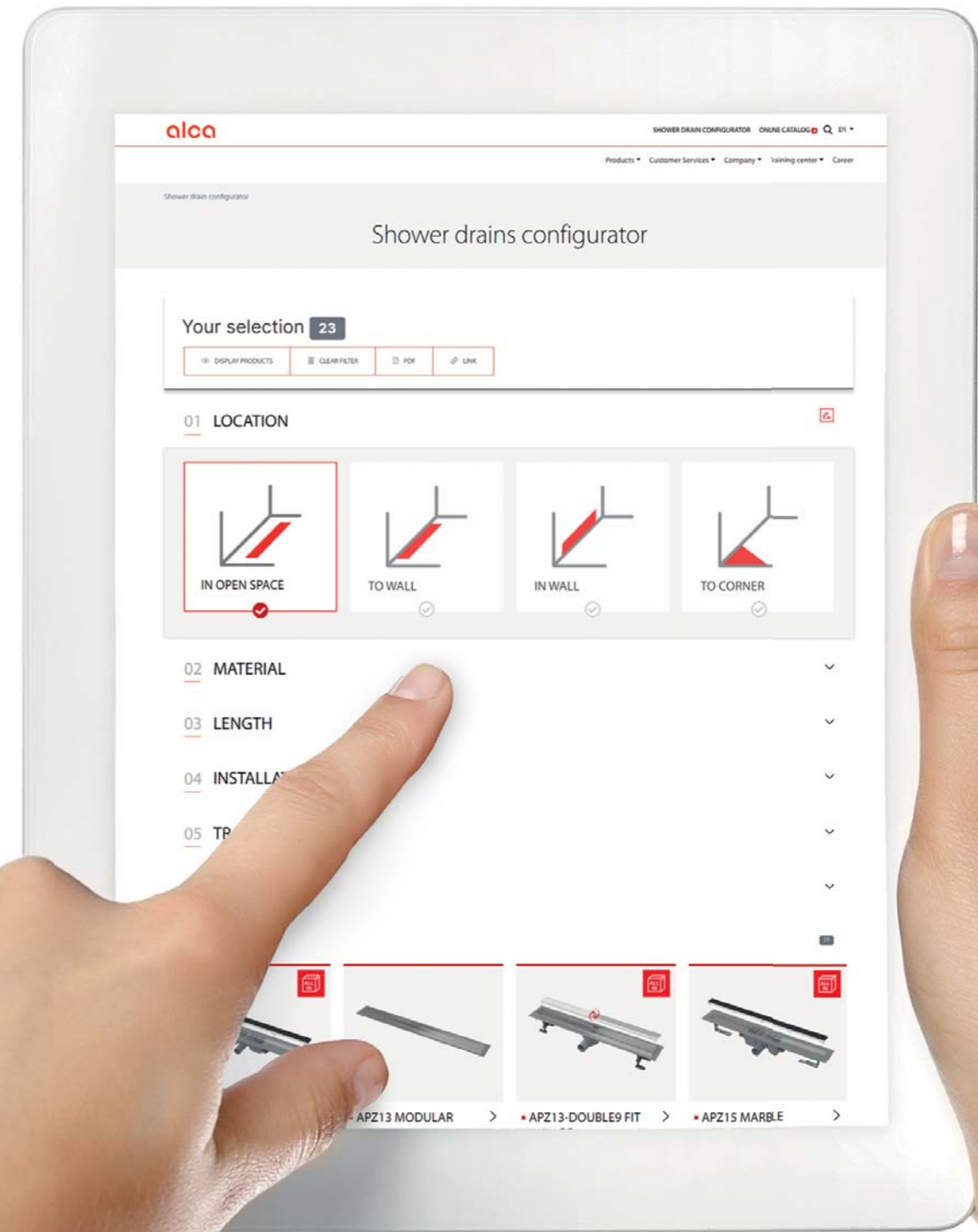
 Stainless steel-matt / For embedding tiles



## Shower drain configurator

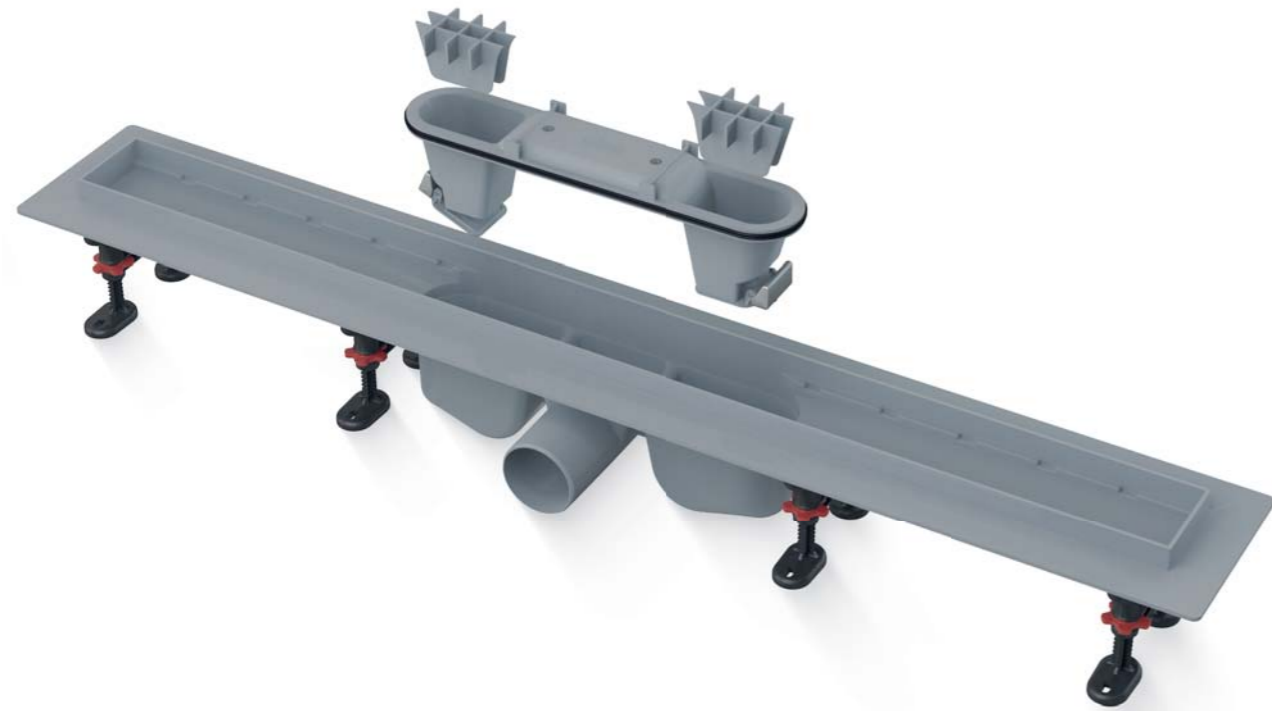









We have launched a shower drain configurator on our website, which will significantly facilitate orientation in a wide portfolio of Alca shower drains. You are able to quickly find a shower drain suitable for your bathroom by selecting the items in the configurator according to your preferences.



# Plastic shower drains Optimal with fixed trap

Plastic shower drains Optimal with a fixed trap designed for perforated and full grids are made of highly durable plastic that withstands chemicals. You place them in the space, they have sloped bodies and a two-chamber odor trap with easy cleanability and a flow rate of 63 l/min. Shower drains Optimal can handle loads of up to 300 kg (class K3).



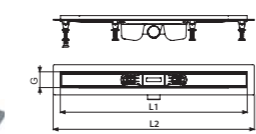
-  Installation in space
-  Side outlet
-  Standard height 85 mm
-  Flow rate up to 63 l/min
-  Outlet pipe DN 50
-  6 Year guarantee
-  25 Year guarantee of spare parts availability

## TECHNICAL SPECIFICATIONS

Total installation height	100–125 mm
Minimum floor thickness	85 mm
Resistance of odour trap against the pressure	710 Pa
Outlet pipe diameter	DN 50 mm
Drain channel width	61,5 mm
Flow rate (EN 1253-1)	63 l/min
Load class (EN 1253-1)	K3 = max. 300 kg
Material – drain body	polypropylene
Material – odour trap	polypropylene
Drain channel length	650–1050 mm

Product	Technical drawing	Installation options	Dimensions			Code
			L1 (mm)	L2 (mm)	G (mm)	

Construction height to the flange: 85 mm (total construction height 100–125 mm, edge height 15 mm)




- Horizontal flange
- Installation in space
- Side outlet DN 50
- Odour trap 50 mm
- Flow rate 63 l/min

650	710	61,5	APZ12-650
750	810	61,5	APZ12-750
850	910	61,5	APZ12-850
950	1010	61,5	APZ12-950
1050	1110	61,5	APZ12-1050


## PERFORATED AND FULL GRIDS FOR PLASTIC SHOWER DRAINS OPTIMAL



 Stainless steel-matt


Code	LINE-650M	LINE-750M	LINE-850M	LINE-950M	LINE-1050M
Length (mm)	650	750	850	950	1050



 Stainless steel-matt

Code	PURE-650M	PURE-750M	PURE-850M	PURE-950M	PURE-1050M
Length (mm)	650	750	850	950	1050



 Stainless steel-matt

Code	BUBLE-650M	BUBLE-750M	BUBLE-850M	BUBLE-950M	BUBLE-1050M
Length (mm)	650	750	850	950	1050



 Stainless steel-matt / For embedding tiles

Code	OPTION-650M	OPTION-750M	OPTION-850M	OPTION-950M	OPTION-1050M
Length (mm)	650	750	850	950	1050

## Plastic shower drains with swivel trap

Plastic shower drains Optimal with a fixed trap designed for perforated and full grids are made of highly durable plastic that withstands chemicals. You place them in space and, thanks to two heights of traps, they are suitable for renovations as well as new buildings. The shower drains support loads of up to 300 kg (K3 class) and offer a modular system, enabling customers to configure their own shower drain or choose a complete set with the shower drain, grid, and trap included in the package.

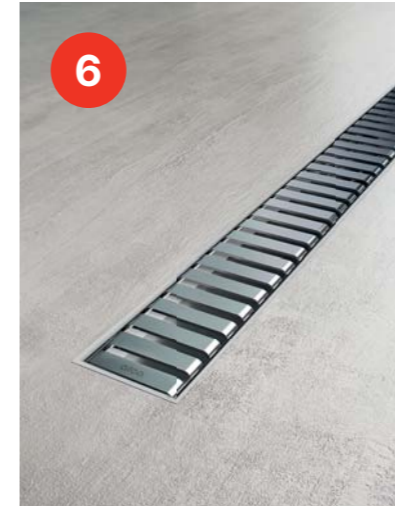


### TECHNICAL SPECIFICATIONS

Total installation height	76–110 mm
Minimum floor thickness	61–80 mm
Resistance of odour trap against the pressure	270–380 Pa
Outlet pipe diameter	DN 40, DN 50 mm
Drain channel width	61,5 mm
Flow rate (EN 1253-1)	40–80 l/min
Load class (EN 1253-1)	K3 = max. 300 kg
Material – drain body	polypropylene
Material – odour trap	polypropylene
Drain channel length	550–850 mm

**6** Year guarantee


**25** Year guarantee of spare parts availability




#### Plastic shower drains – modular system

Perforated, full and tile-insert grids.



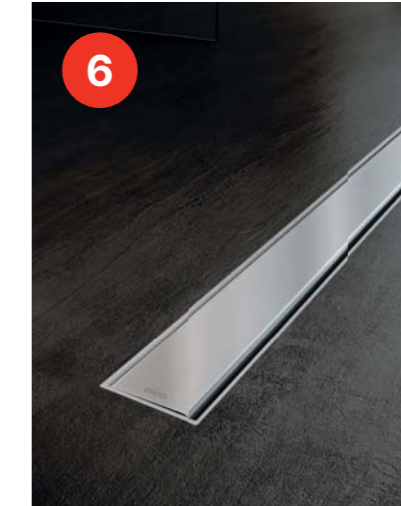
 Heights  
61 mm, 70 mm, 80 mm

 Flow rate up to  
80 l/min

 Outlet pipe  
DN 40, DN 50

 Swivel trap

See p. 112



#### Plastic shower drains – complete package

Two-sided grid – full or tile-insert.




 Standard height  
80 mm

 Flow rate up to  
50 l/min

 Outlet pipe  
DN 50

 Swivel trap



 Reduced height  
61 mm

 Flow rate up to  
40 l/min

 Outlet pipe  
DN 40

 Swivel trap

See p. 114

### PLASTIC SHOWER DRAINS – MODULAR SYSTEM

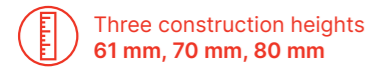
The modular system offers a choice. The shower drain can be connected to a central trap; alternatively, rotating traps are available in two height variants along with perforated and full grids.



Installation in space



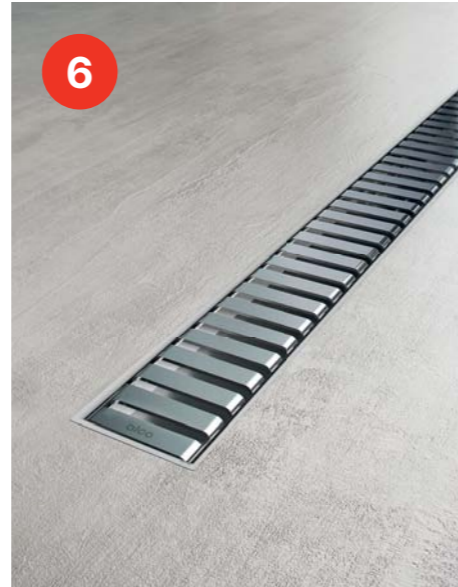
Side outlet



Three construction heights  
61 mm, 70 mm, 80 mm



Swivel trap



#### Modular system – assemble your shower drain according to your needs

We offer four shower drain body length variants, available with two trap options and four grid designs.

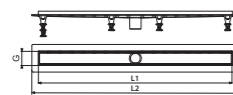
- ① Drain body
- ② Trap
- ③ Grid

Order separately the shower drain body, trap and grid.



Product	Technical drawing	Installation options	Dimensions			Code
			L1 (mm)	L2 (mm)	G (mm)	

Construction height to the flange: 70 mm (total construction height 85–110 mm, edge height 15 mm)



- Installation in space
- Bottom outlet DN 50
- For connection to the central trap
- Flow rate >80 l/min

550	610	61,5	APZ2012-550
650	710	61,5	APZ2012-650
750	810	61,5	APZ2012-750
850	910	61,5	APZ2012-850

Product	Technical drawing	Installation options	Dimensions			Code
			L1 (mm)	L2 (mm)	G (mm)	

Construction height to the flange: 61 mm (total construction height 76–105 mm, edge height 15 mm)



- Side outlet DN 40
- Odour trap 31 mm
- Flow rate 40 l/min

P142

Construction height to the flange: 80 mm (total construction height 95–110 mm, edge height 15 mm)



- Side outlet DN 50
- Odour trap 30 mm
- Flow rate 50 l/min

P138

### PERFORATED AND FULL GRIDS FOR PLASTIC SHOWER DRAIN WITH ROTATING TRAP



Stainless steel-matt

Code	LINE-650M	LINE-750M	LINE-850M	LINE-950M	LINE-1050M
Length (mm)	650	750	850	950	1050



Stainless steel-matt

Code	PURE-650M	PURE-750M	PURE-850M	PURE-950M	PURE-1050M
Length (mm)	650	750	850	950	1050



Stainless steel-matt

Code	BUBLE-650M	BUBLE-750M	BUBLE-850M	BUBLE-950M	BUBLE-1050M
Length (mm)	650	750	850	950	1050









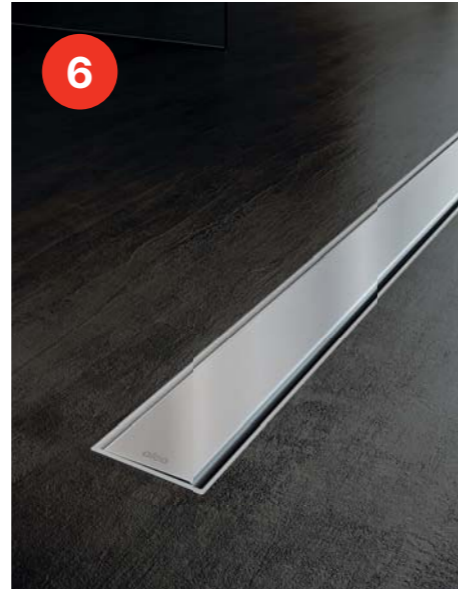
Stainless steel-matt / For embedding tiles

Code	OPTION-650M	OPTION-750M	OPTION-850M	OPTION-950M	OPTION-1050M
Length (mm)	650	750	850	950	1050

### PLASTIC SHOWER DRAINS – COMPLETE PACKAGE


In the standard (80 mm) and reduced (61 mm) variant. Installation in space, rotating trap with side drain outlet and two-sided grid – stainless steel or tile-insert.

-  Installation in space
-  Side outlet
-  Standard height 80 mm
-  Reduced height 61 mm
-  Swivel trap
-  All in package



Product	Technical drawing	Installation options	Dimensions			Code
			L1 (mm)	L2 (mm)	G (mm)	

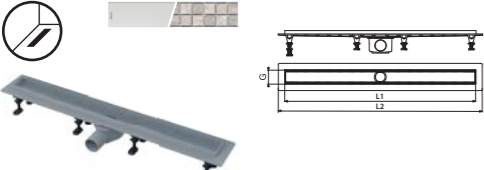
**Construction height to the flange: 61 mm (total construction height 76–105 mm, edge height 15 mm)**



- Installation in space
- Side outlet DN 40
- Odour trap 31 mm
- Flow rate 40 l/min

550	610	61,5	APZ2012-OPTION6-550
650	710	61,5	APZ2012-OPTION6-650
750	810	61,5	APZ2012-OPTION6-750
850	910	61,5	APZ2012-OPTION6-850

**Construction height to the flange: 80 mm (total construction height 95–110 mm, edge height 15 mm)**

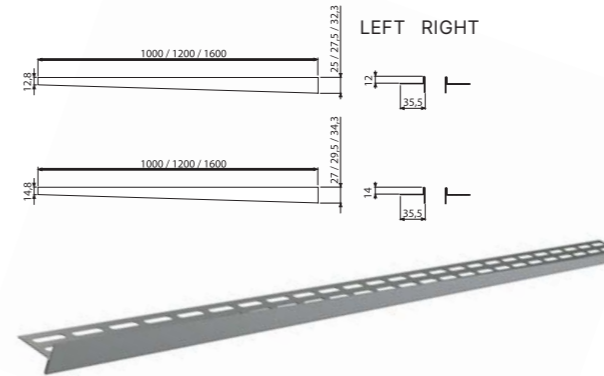


- Installation in space
- Side outlet DN 50
- Odour trap 30 mm
- Flow rate 50 l/min

550	610	61,5	APZ2012-OPTION9-550
650	710	61,5	APZ2012-OPTION9-650
750	810	61,5	APZ2012-OPTION9-750
850	910	61,5	APZ2012-OPTION9-850

### STAINLESS STEEL STRIPS FOR SLOPED FLOOR

#### Single-sided

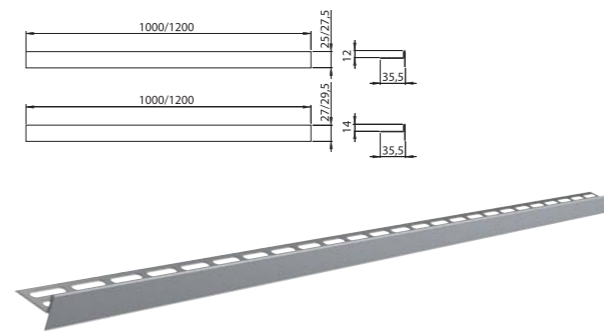


Quantity (packing)	1 pc
Dimensions (piece)	1000×36×27,5 mm
Material	stainless steel DIN 1.4301

Table of variants for stainless steel strips for sloped floor

Code	Flange height	Length (mm)	Type	Version
APZ901M/1000	12	1000	left	matt
APZ902M/1000	12	1000	right	matt
APZ903M/1000	14	1000	left	matt
APZ904M/1000	14	1000	right	matt
APZ901M/1200	12	1200	left	matt
APZ902M/1200	12	1200	right	matt
APZ903M/1200	14	1200	left	matt
APZ904M/1200	14	1200	right	matt
APZ901M/1600	12	1600	left	matt
APZ902M/1600	12	1600	right	matt
APZ903M/1600	14	1600	left	matt
APZ904M/1600	14	1600	right	matt

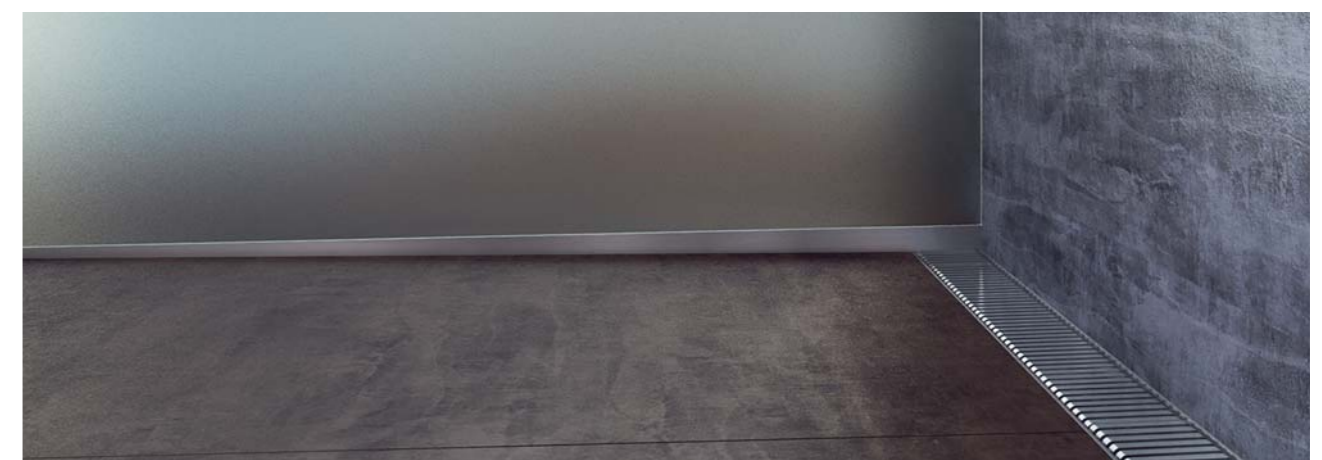
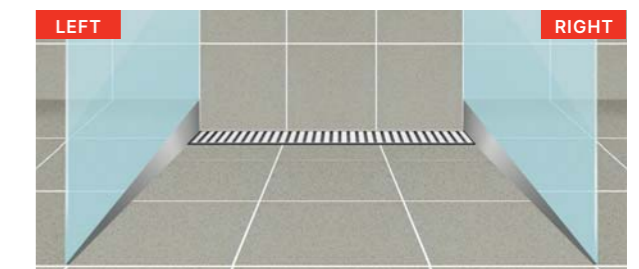
#### Two-sided



Quantity (packing)	1 pc
Dimensions (piece)	1000×36×27 mm
Material	stainless steel DIN 1.4301


Table of variants for stainless steel strips for sloped floor


Code	Flange height	Length (mm)	Type	Version
APZ905M/1000	12	1000	double-sided	matt
APZ905M/1200	12	1200	double-sided	matt
APZ906M/1000	14	1000	double-sided	matt
APZ906M/1200	14	1200	double-sided	matt





# Custom manufacturing of stainless steel shower drains

We offer custom manufacturing of stainless steel shower drains that precisely meet the specific requirements of each project. Our solutions allow you to choose any length of the shower drain, specify the number of traps, and their exact placement for maximum drainage efficiency. We manufacture shower drains from high-quality stainless steel AISI 304 or AISI 316, which, due to its increased resistance to salt water, is the ideal choice for professional facilities, wellness centers, or food-processing environments.

- 

**Shower drain length, number of traps**  
according to project requirements
- 

**Material**  
stainless steel  
AISI 304  
AISI 316
- 

**Shape**  
linear  
to corner
- 


**Project support**

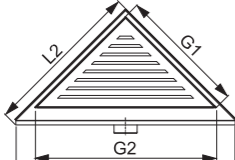


## CORNER SHOWER DRAIN WITHOUT AN EDGE

Product	Technical drawing	Installation options	Dimensions (mm)				Code
			L1	L2	G1	G2	


Construction height to the flange: 100 mm (total construction height 110–170 mm, edge height 10 mm)






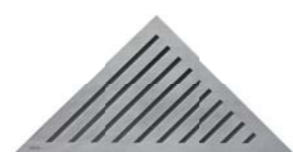
- Vertical flange
- Corner mount
- Side outlet DN 50
- Flow rate 60 l/min




LIFE  
 Stainless steel-matt



TIME  
 Stainless steel-matt




GRACE  
 Stainless steel-matt

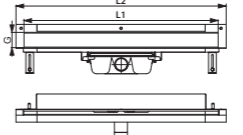
475	340	270	382	ARZ1
-----	-----	-----	-----	------

## DRAIN SYSTEM FOR INSTALLION IN WALLS

Product	Technical drawing	Installation options	Dimensions			Code
			L1 (mm)	L2 (mm)	G (mm)	


Construction height to the flange: 100 mm (total construction height 165–220 mm)

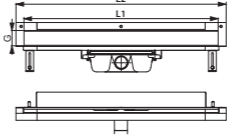




- Vertical flange
- Wall mount
- Installation depth 64 mm
- Side outlet DN 50
- Odour trap 50 mm
- Flow rate 60 l/min


650	710	60	APZ5-EDEN-650
750	810	60	APZ5-EDEN-750
850	910	60	APZ5-EDEN-850
950	1010	60	APZ5-EDEN-950
1050	1110	60	APZ5-EDEN-1050

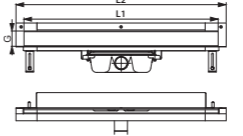




- Vertical flange
- Wall mount
- Installation depth 64 mm
- Side outlet DN 50
- Odour trap 50 mm
- Flow rate 60 l/min


650	710	60	APZ5-SHADE-650
750	810	60	APZ5-SHADE-750
850	910	60	APZ5-SHADE-850
950	1010	60	APZ5-SHADE-950
1050	1110	60	APZ5-SHADE-1050





- Vertical flange
- Wall mount
- Installation depth 64 mm
- Side outlet DN 50
- Odour trap 50 mm
- Flow rate 60 l/min

650	710	60	APZ5-TWIN-650
750	810	60	APZ5-TWIN-750
850	910	60	APZ5-TWIN-850
950	1010	60	APZ5-TWIN-950
1050	1110	60	APZ5-TWIN-1050

 APZ5-EDEN / Cover stainless steel-polished



 APZ5-TWIN / Cover for embedding tiles



 APZ5-SHADE / Cover stainless steel-matt



## ALCA LIGHT

APZ5 Spa backlight		Length varieties of backlighting for APZ5 Spa shower drains				
Lighting colour	Length of the drain (mm)	650	750	850	950	1050
White	Code of backlighting in the length of the drain	AEZ 120-650	AEZ 120-750	AEZ 120-850	AEZ 120-950	AEZ 120-1050
Blue		AEZ 121-650	AEZ 121-750	AEZ 121-850	AEZ 121-950	AEZ 121-1050
Green		AEZ 122-650	AEZ 122-750	AEZ 122-850	AEZ 122-950	AEZ 122-1050
Red		AEZ 123-650	AEZ 123-750	AEZ 123-850	AEZ 123-950	AEZ 123-1050
Rainbow		AEZ 124-650	AEZ 124-750	AEZ 124-850	AEZ 124-950	AEZ 124-1050

Source for backlighting APZ5 Spa – AEZ310, AEZ320 – page 51. Overview of all order codes see page 221.

# Outdoor drainage system

Outdoor drain channels	120
Outdoor drain channels LOW (load class A15, B125)	122
Outdoor drain channels HOME (load class A15)	124
Outdoor drain channels STANDARD (load class B125)	126
Outdoor drain channels PROFI (load class C250)	127
Outdoor drain channels TOP (load class D400)	128
Outdoor slotted channels (load class C250)	129
Outdoor drain channels – accessories	123, 133
Universal rain drums	134
Universal rain drums – accessories	135
Drainage channels	136

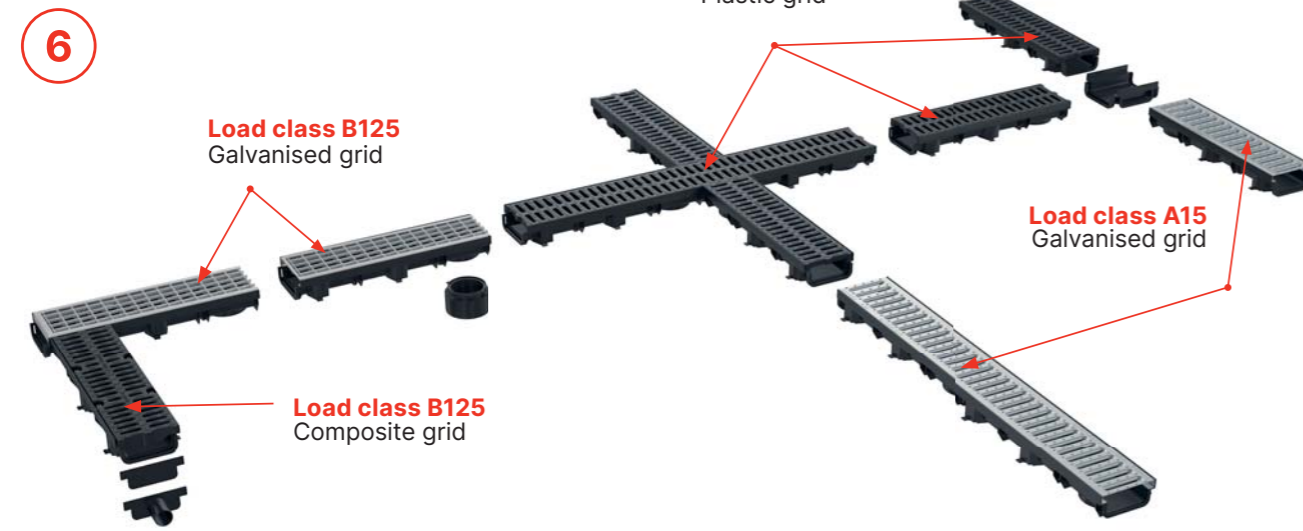


VIDEO

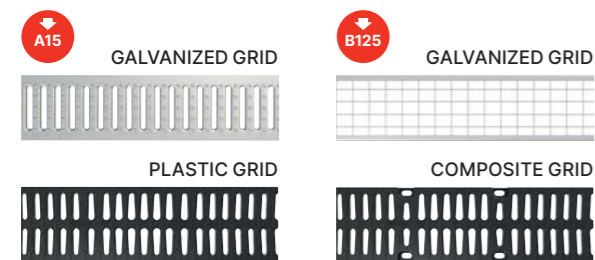
# Low profile outdoor drainage system (height 60 mm)



- Modular system
- Lock-in mechanism
- Two types of cover gratings
- Hidden drain connectors



## ACCESSORIES



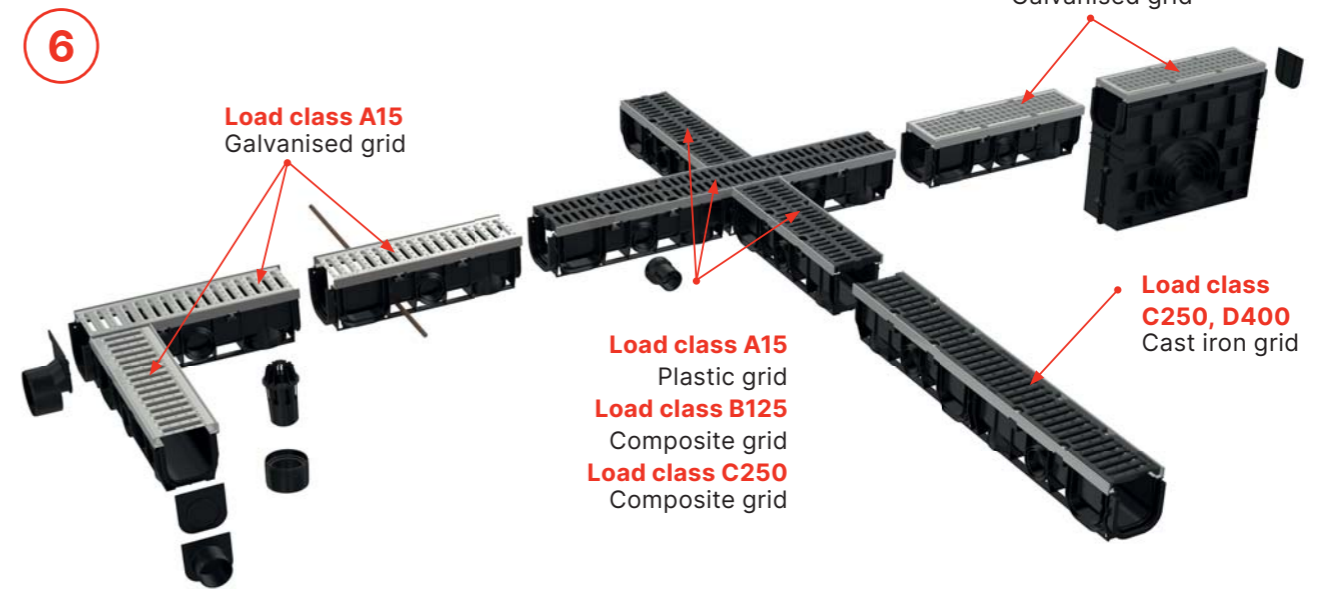
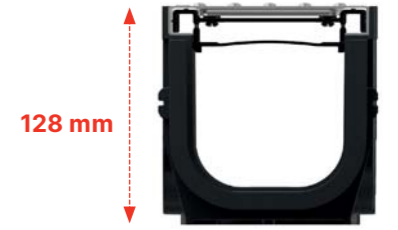
Easy removal of knockout holes for outlet connection

Invisible connector for the creation of "L", "T" and "X" shapes

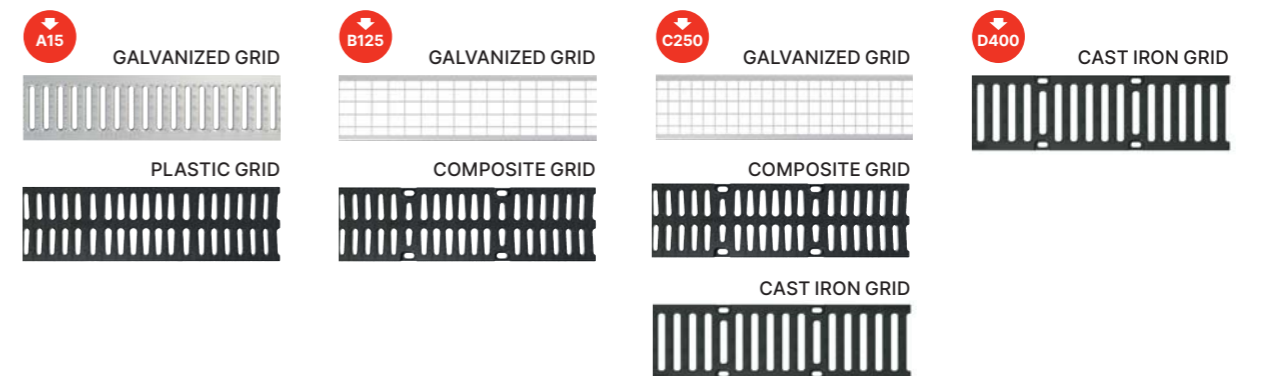
# Professional outdoor drainage systems



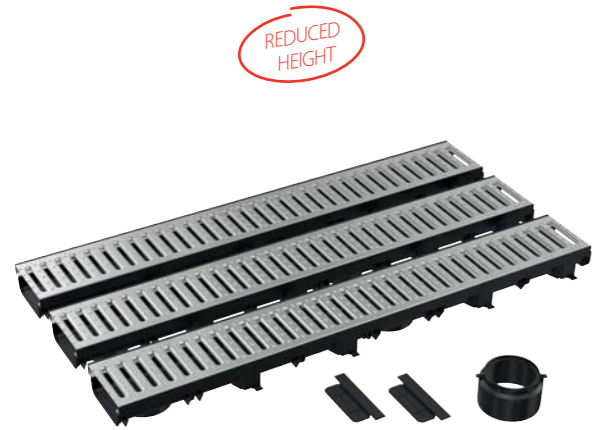
- Modular system
- Lock-in mechanism
- Knockout holes for easy outlet connection
- Optional insertion of locking bars
- Possibility to divide into halves (1 m → 2 × 0.5 m)



## ACCESSORIES



**AVZ112-G102**  
Garage pack 3 m (2x end cap, 1x socket DN110)



LOW **A15**

Quantity (packing)	1 pc
Quantity (pallet)	30 pcs
Material	polypropylene filled with talc

**AVZ112-G501**  
Garage pack 3 m (2x end cap, 1x socket DN110)



LOW **A15**

Quantity (packing)	1 pc
Quantity (pallet)	30 pcs
Material	polypropylene filled with talc

**AVZ112-R103**  
Outdoor drain channel 60 mm with plastic frame and welded galvanized grid B125



LOW **B125**

Quantity (packing)	1 pc
Quantity (pallet)	125 pcs
Material	polypropylene filled with talc

**AVZ112-R402**  
Outdoor drain channel 60 mm with plastic frame and composite grid B125



LOW **B125**

Quantity (packing)	1 pc
Quantity (pallet)	125 pcs
Material	polypropylene filled with talc

**AVZ112-R102**  
Outdoor drain channel 60 mm with plastic frame and galvanized "C" profile grid A15



LOW **A15**

Quantity (packing)	1 pc
Quantity (pallet)	125 pcs
Material	polypropylene filled with talc

**AVZ112-R501**  
Outdoor drain channel 60 mm with plastic frame and plastic grid A15



LOW **A15**

Quantity (packing)	1 pc
Quantity (pallet)	125 pcs
Material	polypropylene filled with talc

**AVZ-P015**  
Connecting piece of outdoor drain channel AVZ112



Quantity (packing)	50 pcs
Quantity (pallet)	1400 pcs
Material	polypropylene filled with talc

**AVZ-P016**  
Socket for connection to the waste pipe DN110



Quantity (packing)	50 pc
Quantity (pallet)	1400 pcs
Material	polypropylene filled with talc

**AVZ-P017**  
End cap to close the drain channel



Quantity (packing)	200 pcs
Quantity (pallet)	5600 pcs
Material	polypropylene filled with talc

**AVZ-P018**  
End cap to close the drain channel with inlet DN40



Quantity (packing)	30 pcs
Quantity (pallet)	840 pcs
Material	polypropylene filled with talc

**AVZ102-R102**

Outdoor drain channel 100 with plastic frame and galvanized "C" profile grid A15



Quantity (packing)	1 pc
Quantity (pallet)	60 pcs
Material	polypropylene filled with talc

**AVZ102R-R102S**

Outdoor drain box for AVZ102 with plastic frame and galvanized "C" profile grid A15



Quantity (packing)	1 pc
Quantity (pallet)	24 pcs
Material	polypropylene filled with talc

**AVZ102-R501**

Outdoor drain channel 100 mm with plastic frame and plastic grid A15



Quantity (packing)	1 pc
Quantity (pallet)	60 pcs
Material	polypropylene filled with talc

**AVZ104-R401**

Outdoor drain channel 100 mm with plastic frame and plastic grid A15



Quantity (packing)	1 pc
Quantity (pallet)	60 pcs
Material	polypropylene filled with talc

**AVZ104R-R401**

Outdoor drain box for AVZ104 with plastic frame and plastic grid A15



Quantity (packing)	1 pc
Quantity (pallet)	24 pcs
Material	polypropylene filled with talc

**AVZ104-R402**

Outdoor drain channel 100 mm with plastic frame and composite grid B125



STANDARD **B125**

Quantity (packing)	1 pc
Quantity (pallet)	60 pcs
Material	polypropylene filled with talc

**AVZ104R-R402**

Outdoor drain box for AVZ104 with plastic frame and composite grid B125



STANDARD **B125**

Quantity (packing)	1 pc
Quantity (pallet)	24 pcs
Material	polypropylene filled with talc

**AVZ103-R403**

Outdoor drain channel 100 mm with metal frame and composite grid C250



PROFI **C250**

Quantity (packing)	1 pc
Quantity (pallet)	60 pcs
Material	polypropylene filled with talc

**AVZ103R-R403**

Outdoor drain box for AVZ103 with metal frame and composite grid C250



PROFI **C250**

Quantity (packing)	1 pc
Quantity (pallet)	24 pcs
Material	polypropylene filled with talc

**AVZ102-R103**

Outdoor drain channel 100 mm with plastic frame and galvanized grid B125



STANDARD **B125**

Quantity (packing)	1 pc
Quantity (pallet)	60 pcs
Material	polypropylene filled with talc

**AVZ102R-R103S**

Outdoor drain box for AVZ102 with plastic frame and galvanized grid B125



STANDARD **B125**

Quantity (packing)	1 pc
Quantity (pallet)	24 pcs
Material	polypropylene filled with talc

**AVZ103-R202**

Outdoor drain channel 100 mm with metal frame and cast iron grid C250



PROFI **C250**

Quantity (packing)	1 pc
Quantity (pallet)	30 pcs
Material	polypropylene filled with talc

**AVZ103R-R202**

Outdoor drain box for AVZ103 with metal frame and cast iron grid C250

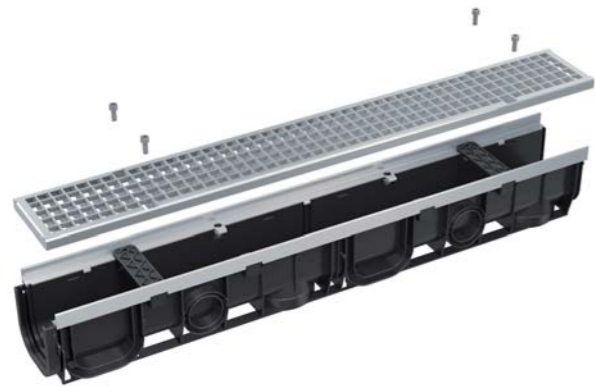


PROFI **C250**

Quantity (packing)	1 pc
Quantity (pallet)	24 pcs
Material	polypropylene filled with talc

**AVZ103-R104**

Outdoor drain channel 100 mm with metal frame and galvanized grid C250



Quantity (packing)	1 pc
Quantity (pallet)	30 pcs
Material	polypropylene filled with talc

**AVZ103R-R104S**

Outdoor drain box for AVZ103 with metal frame and galvanized grid C250



Quantity (packing)	1 pc
Quantity (pallet)	24 pcs
Material	polypropylene filled with talc

**AVZ103-R201**

Outdoor drain channel 100 mm with metal frame and a cast iron grid D400



Quantity (packing)	1 pc
Quantity (pallet)	30 pcs
Material	polypropylene filled with talc

**AVZ103R-R201**

Outdoor drain box for AVZ103 with metal frame and cast iron grid D400



Quantity (packing)	1 pc
Quantity (pallet)	24 pcs
Material	polypropylene filled with talc

**AVZ101-R121**

Outdoor slotted channel with asymmetrical extension 100 mm, galvanized steel



Quantity (packing)	1 pc
Quantity (pallet)	30 pcs
Material	polypropylene filled with talc

**AVZ101-R321**

Outdoor slotted channel with asymmetrical extension 100 mm, stainless steel



**AVZ101S-R121R**

Outdoor slotted channel with asymmetrical access cover 100 mm, galvanized steel

Quantity (packing)	1 pc
Quantity (pallet)	30 pcs
Material	polypropylene filled with talc

**AVZ101S-R321R**

Outdoor slotted channel with asymmetrical access cover 100 mm, stainless steel

**AVZ101R-R121R**

Outdoor slotted drain box with asymmetrical access cover 100 mm, galvanized steel



Quantity (packing)	1 pc
Quantity (pallet)	30 pcs
Material	polypropylene filled with talc

**AVZ101R-R321R**

Outdoor slotted drain box with asymmetrical access cover 100 mm, stainless steel

**AVZ101-R122**  
Outdoor slotted channel with asymmetrical extension 160 mm, galvanized steel

**AVZ101S-R122R**  
Outdoor slotted channel with asymmetrical access cover 160 mm, galvanized steel

**AVZ101-R123**  
Outdoor slotted channel with symmetrical extension 100 mm, galvanized steel

**AVZ101S-R123R**  
Outdoor slotted channel with symmetrical access cover 100 mm, galvanized steel

**AVZ101-R322**  
Outdoor slotted channel with asymmetrical extension 160 mm, stainless steel

**AVZ101S-R322R**  
Outdoor slotted channel with asymmetrical access cover 160 mm, stainless steel

**AVZ101-R323**  
Outdoor slotted channel with symmetrical extension 100 mm, stainless steel

**AVZ101S-R323R**  
Outdoor slotted channel with symmetrical access cover 100 mm, stainless steel



Quantity (packing)	1 pc
Quantity (pallet)	30 pcs
Material	polypropylene filled with talc



Quantity (packing)	1 pc
Quantity (pallet)	30 pcs
Material	polypropylene filled with talc



Quantity (packing)	1 pc
Quantity (pallet)	30 pcs
Material	polypropylene filled with talc



Quantity (packing)	1 pc
Quantity (pallet)	30 pcs
Material	polypropylene filled with talc

**AVZ101R-R122R**  
Outdoor slotted drain box with asymmetrical access cover 160 mm, galvanized steel

**AVZ101R-R123R**  
Outdoor slotted drain box with symmetrical access cover 100 mm, galvanized steel

**AVZ101R-R322R**  
Outdoor slotted drain box with asymmetrical access cover 160 mm, stainless steel

**AVZ101R-R323R**  
Outdoor slotted drain box with symmetrical access cover 100 mm, stainless steel



Quantity (packing)	1 pc
Quantity (pallet)	30 pcs
Material	polypropylene filled with talc



Quantity (packing)	1 pc
Quantity (pallet)	30 pcs
Material	polypropylene filled with talc

**AVZ101-R124**  
Outdoor slotted channel with symmetrical extension 160 mm, galvanized steel

**AVZ101-R324**  
Outdoor slotted channel with symmetrical extension 160 mm, stainless steel



**AVZ101S-R124R**  
Outdoor slotted channel with symmetrical access cover 160 mm, galvanized steel

**AVZ101S-R324R**  
Outdoor slotted channel with symmetrical access cover 160 mm, stainless steel

Quantity (packing)	1 pc
Quantity (pallet)	30 pcs
Material	polypropylene filled with talc



Quantity (packing)	1 pc
Quantity (pallet)	30 pcs
Material	polypropylene filled with talc



**AVZ101R-R124R**  
Outdoor slotted drain box with symmetrical access cover 160 mm, galvanized steel

**AVZ101R-R324R**  
Outdoor slotted drain box with symmetrical access cover 160 mm, stainless steel



Quantity (packing)	1 pc
Quantity (pallet)	30 pcs
Material	polypropylene filled with talc



**AVZ-P001**  
Socket for connection to the waste pipe DN110



Quantity (packing)	50 pcs
Quantity (pallet)	800 pcs
Material	polypropylene filled with talc

**AVZ-P002**  
Drain lock AVZ102-R102



Quantity (packing)	1 pc
Quantity (pallet)	- pcs
Material	polypropylene filled with talc

**AVZ-P003**  
Adapter for connection to a side inlet DN50



Quantity (packing)	50 pcs
Quantity (pallet)	800 pcs
Material	polypropylene filled with talc

**AVZ-P004**  
End cap to close the drain channel with a socket for inlet DN75



Quantity (packing)	50 pcs
Quantity (pallet)	800 pcs
Material	polypropylene filled with talc

**AVZ-P008**  
Hook for removing the grid



Quantity (packing)	1 pc
Quantity (pallet)	- pcs
Material	galvanized metal

**AVZ-P009**  
End cap to close the drain channel



Quantity (packing)	100 pcs
Quantity (pallet)	1600 pcs
Material	polypropylene filled with talc

**AVZ-P010**  
Side end cap with connection to the waste pipe DN110



Quantity (packing)	30 pcs
Quantity (pallet)	- pcs
Material	polypropylene filled with talc

**AVZ-P012**  
Basket for catching dirt large, stainless steel



Quantity (packing)	1 pc
Quantity (pallet)	24 pcs
Material	stainless steel

**AVZ-P013**  
Basket for catching dirt large, galvanized steel



Quantity (packing)	1 pc
Quantity (pallet)	24 pcs
Material	galvanized metal

**AVZ-P007**  
Odour trap for outdoor drains



Quantity (packing)	1 pcs
Quantity (pallet)	- pcs
Material	polypropylene

**AGV1**  
Rain drum m 300×155/110 mm straight outlet, black



Quantity (packing)	5 pcs
Quantity (pallet)	80 pcs
Material	polypropylene enriched with glass fiber

**AGV1S**  
Rain drum m 300×155/110 mm straight outlet, grey



Quantity (packing)	5 pcs
Quantity (pallet)	80 pcs
Material	polypropylene enriched with glass fiber

**AGV2**  
Rain drum m 300×155/125 mm straight outlet, black



Quantity (packing)	5 pcs
Quantity (pallet)	80 pcs
Material	polypropylene enriched with glass fiber

**AGV2S**  
Rain drum m 300×155/125 mm straight outlet, grey



Quantity (packing)	5 pcs
Quantity (pallet)	80 pcs
Material	polypropylene enriched with glass fiber

**AGV3**  
Rain drum m 300×155/110 mm side outlet, black



Quantity (packing)	4 pcs
Quantity (pallet)	120 pcs
Material	polypropylene enriched with glass fiber

**AGV3S**  
Rain drum m 300×155/110 mm side outlet, grey



Quantity (packing)	4 pcs
Quantity (pallet)	120 pcs
Material	polypropylene enriched with glass fiber

**AGV4**  
Rain drum m 300×155/125/110 mm straight outlet, black



Quantity (packing)	4 pcs
Quantity (pallet)	60 pcs
Material	polypropylene enriched with glass fiber

**AGV4S**  
Rain drum m 300×155/125/110 mm straight outlet, grey



Quantity (packing)	4 pcs
Quantity (pallet)	60 pcs
Material	polypropylene enriched with glass fiber

**AGV911**  
Universal downpipe entry cover, black



Quantity (packing)	1 pc
Quantity (pallet)	- pcs
Material	polypropylene enriched with glass fiber

**AGV911S**  
Universal downpipe entry cover, grey



Quantity (packing)	1 pc
Quantity (pallet)	- pcs
Material	polypropylene enriched with glass fiber

**AGV941**  
Stainless steel basket



Quantity (packing)	70 pcs
Quantity (pallet)	1120 pcs
Material	stainless steel

**AGV942**  
Stainless steel side grid



Quantity (packing)	100 pcs
Quantity (pallet)	2800 pcs
Material	stainless steel

**LOCK**

- The lock prevents unintentional opening of the lid, overflow of water during heavy rains
- Prevents the access of children at play
- If necessary, it is possible to remove the lock from the rain drum



**INLET RINGS**

- They are part of each package
- Diameters 80, 90, 100, 110, 125mm
- They allow the connection of all types of roof gutters and downspouts

**BASKET FOR LEAVES AND DIRT**

- Captures coarse material (mainly leaves) and prevents clogging of sewer pipes
- The narrow bottom with ribs allows a gradual fall through of rotting leaves into sewerage
- Basket can be easily removed for cleaning



**FLAP**

- Frost-free odour trap – limits the transmission of gas from canalization
- Prevents the passage of rodents from the waste
- Closes under its own weight and is secured against flooding
- Restrict splashing water from the rain drum when removing the lock case



**MATERIAL**

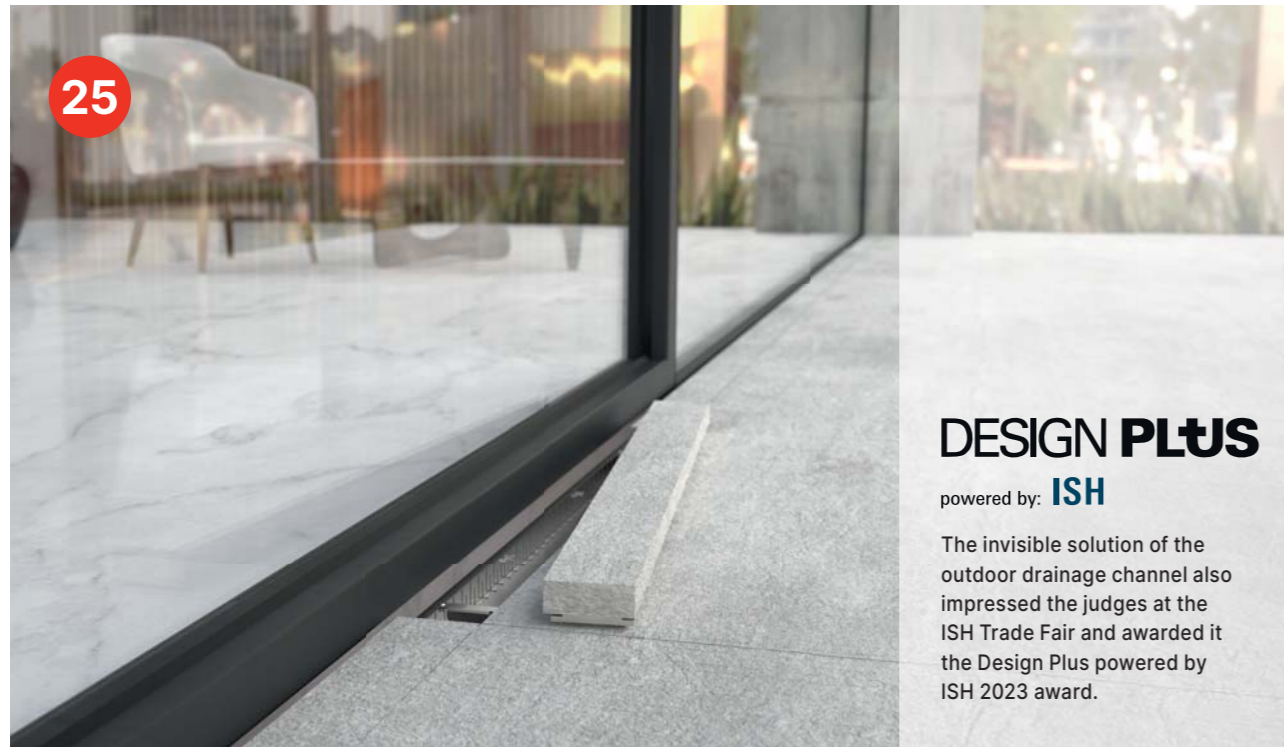
- PP enriched with glass fiber
- Resistant to mechanical and thermal damage
- In black or grey colours

**CONSTRUCTION**

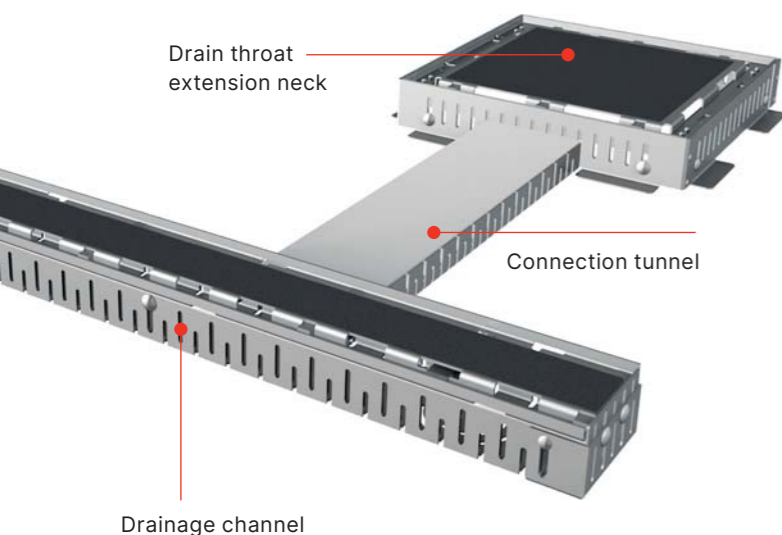
- Resistant to deformation during assembly and to the load (class K3 – bearing capacity of 300kg)
- Ribbing ensures stability on the spot
- Steeper gradient of the rain drum body enables a faster and bigger water flow towards the sewer
- Flow rate 390 l/min
- Diameter of 110mm, 125 or 125/110mm



# Drainage channel with a grid for embedding tiles or stone

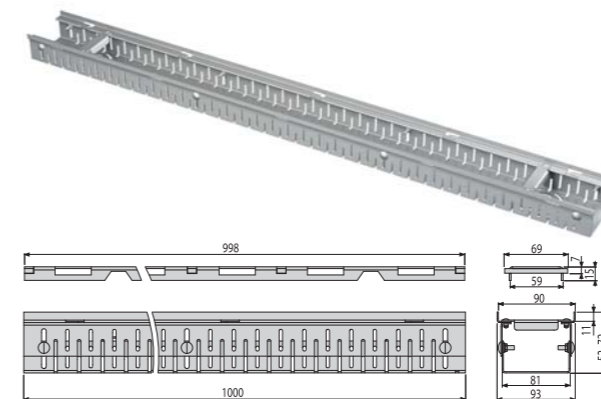


Drainage channels are suitable along facades on roof and ground terraces, in stonework greenery or walkways. The drainage system is linear with the possibility of connecting in the transverse and longitudinal direction.



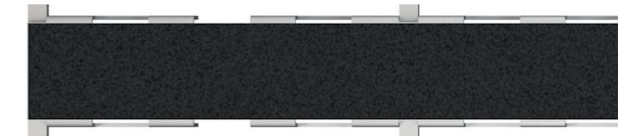
- Visually clean solution for terrace drainage system
- The width of the inlet slot is only 8 mm
- Height-adjustable
- The possibility of producing atypical solutions
- Galvanized or stainless steel solution

**ADZ104V-1000**  
Drainage channel 100 mm adjustable + Grid for embedding tiles, galvanized steel



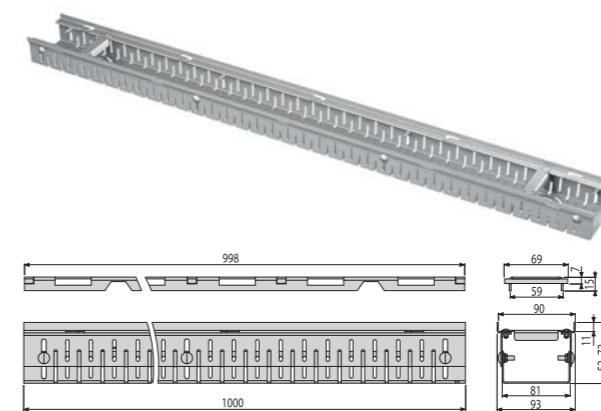
Quantity (packing) 1 pc  
Quantity (pallet) - pcs  
Material galvanized steel

**ADZ104V-1000**  
Grid for embedding tiles – The grid is included



 All in package

**ADZ304V-1000**  
Drainage channel 100 mm adjustable + Grid for embedding tiles, stainless steel



Quantity (packing) 1 pc  
Quantity (pallet) - pcs  
Material stainless steel

**ADZ304V-1000**  
Grid for embedding tiles – The grid is included



 All in package

**ADZ-PT101**  
Connection tunnel, galvanized steel

**ADZ-PT301**  
Connection tunnel, stainless steel



Quantity (packing) -  
Quantity (pallet) -  
Material galvanized steel/stainless steel

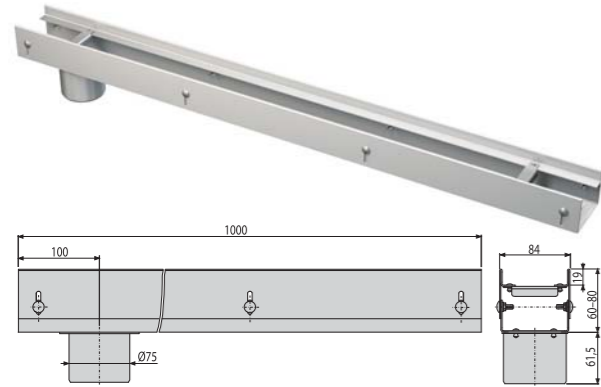
**ADZ-NA101**  
Drain throat extension neck + Grid for embedding tiles 300x300, galvanized steel

**ADZ-NA301**  
Drain throat extension neck + Grid for embedding tiles 300x300, stainless steel



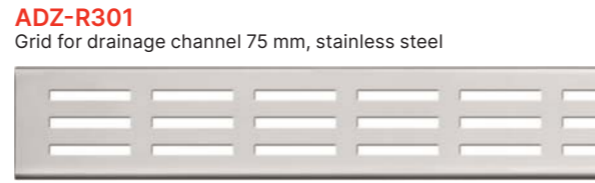
Quantity (packing) -  
Quantity (pallet) -  
Material galvanized steel/stainless steel

**ADZ351V**  
Drainage channel 75 mm adjustable, stainless steel



Quantity (packing)	1 pc
Quantity (pallet)	- pcs
Material	stainless steel

**ADZ-R101**  
Grid for drainage channel 75 mm, galvanized steel



**ADZ-R102**  
Grid for drainage channel 75 mm, galvanized steel



**ADZ-R302**  
Grid for drainage channel 75 mm, stainless steel



**ADZ-R103**  
Grid for drainage channel 75 mm, galvanized steel



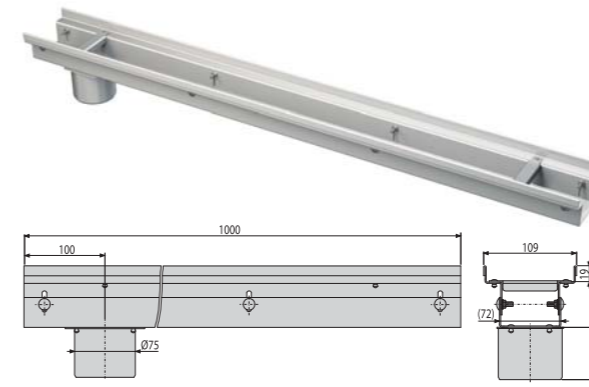
**ADZ-R303**  
Grid for drainage channel 75 mm, stainless steel



**ADZ-R304**  
Grid for drainage channel 75 mm, stainless steel

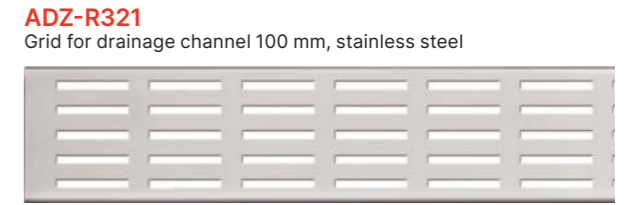


**ADZ352V**  
Drainage channel 100 mm adjustable, stainless steel

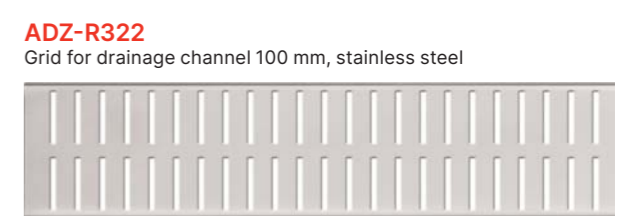


Quantity (packing)	1 pc
Quantity (pallet)	- pcs
Material	stainless steel

**ADZ-R121**  
Grid for drainage channel 100 mm, galvanized steel



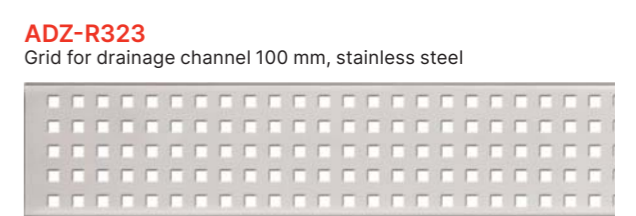
**ADZ-R122**  
Grid for drainage channel 100 mm, galvanized steel



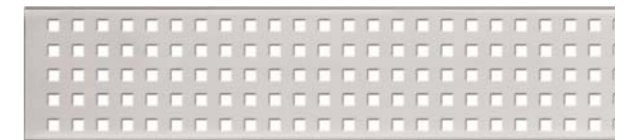
**ADZ-R322**  
Grid for drainage channel 100 mm, stainless steel



**ADZ-R123**  
Grid for drainage channel 100 mm, galvanized steel



**ADZ-R323**  
Grid for drainage channel 100 mm, stainless steel



**ADZ-R324**  
Grid for drainage channel 100 mm, stainless steel



**ADZ-P007**  
Coupler for drainage channel 75 mm, galvanized steel

**ADZ-P005**  
Coupler for drainage channel 75 mm, stainless steel



Quantity (packing)	-
Quantity (pallet)	-
Material	galvanized steel/stainless steel

**ADZ-P011**  
End cap for drainage channel 75 mm, stainless steel



Quantity (packing)	-
Quantity (pallet)	-
Material	stainless steel

**ADZ-P008**  
Coupler for drainage channel 100 mm, galvanized steel

**ADZ-P006**  
Coupler for drainage channel 100 mm, stainless steel



Quantity (packing)	-
Quantity (pallet)	-
Material	galvanized steel/stainless steel

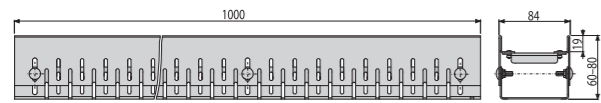
**ADZ-P012**  
End cap for drainage channel 100 mm, stainless steel



Quantity (packing)	-
Quantity (pallet)	-
Material	stainless steel

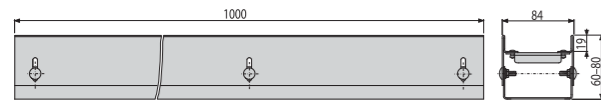
**ADZ101V**  
Drainage channel 75 mm adjustable, galvanized steel

**ADZ301V**  
Drainage channel 75 mm adjustable, stainless steel



Quantity (packing)	1 pc
Quantity (pallet)	100 pcs
Material	galvanized steel/stainless steel

**ADZ331V**  
Drainage channel 75 mm adjustable, stainless steel



Quantity (packing)	1 pc
Quantity (pallet)	100 pcs
Material	stainless steel

**ADZ-R101**  
Grid for drainage channel 75 mm, galvanized steel

**ADZ-R301**  
Grid for drainage channel 75 mm, stainless steel



**ADZ-R102**  
Grid for drainage channel 75 mm, galvanized steel

**ADZ-R302**  
Grid for drainage channel 75 mm, stainless steel



**ADZ-R103**  
Grid for drainage channel 75 mm, galvanized steel

**ADZ-R303**  
Grid for drainage channel 75 mm, stainless steel

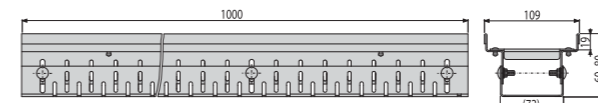


**ADZ-R304**  
Grid for drainage channel 75 mm, stainless steel



**ADZ102V**  
Drainage channel 100 mm adjustable, galvanized steel

**ADZ302V**  
Drainage channel 100 mm adjustable, stainless steel



Quantity (packing)	1 pc
Quantity (pallet)	100 pcs
Material	galvanized steel/stainless steel

**ADZ332V**  
Drainage channel 100 mm adjustable, stainless steel



Quantity (packing)	1 pc
Quantity (pallet)	- pcs
Material	stainless steel

**ADZ-R121**  
Grid for drainage channel 100 mm, galvanized steel

**ADZ-R321**  
Grid for drainage channel 100 mm, stainless steel



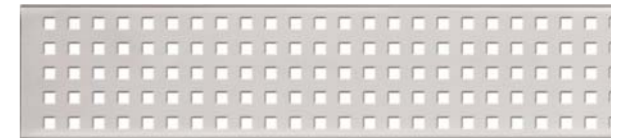
**ADZ-R122**  
Grid for drainage channel 100 mm, galvanized steel

**ADZ-R322**  
Grid for drainage channel 100 mm, stainless steel



**ADZ-R123**  
Grid for drainage channel 100 mm, galvanized steel

**ADZ-R323**  
Grid for drainage channel 100 mm, stainless steel



**ADZ-R324**  
Grid for drainage channel 100 mm, stainless steel



**ADZ-P003**  
End cap for drainage channel 75 mm, galvanized steel

**ADZ-P007**  
Coupler for drainage channel 75 mm, galvanized steel

**ADZ-P001**  
End cap for drainage channel 75 mm, stainless steel

**ADZ-P005**  
Coupler for drainage channel 75 mm, stainless steel

**ADZ-P011**  
End cap for drainage channel 75 mm, stainless steel

**ADZ-P004**  
End cap for drainage channel 100 mm, galvanized steel

**ADZ-P008**  
Coupler for drainage channel 100 mm, galvanized steel

**ADZ-P002**  
End cap for drainage channel 100 mm, stainless steel

**ADZ-P006**  
Coupler for drainage channel 100 mm, stainless steel

**ADZ-P012**  
End cap for drainage channel 100 mm, stainless steel



Quantity (packing)	-
Quantity (pallet)	-
Material	galvanized steel/ stainless steel

Quantity (packing)	-
Quantity (pallet)	-
Material	galvanized steel/stainless steel

Quantity (packing)	-
Quantity (pallet)	-
Material	stainless steel

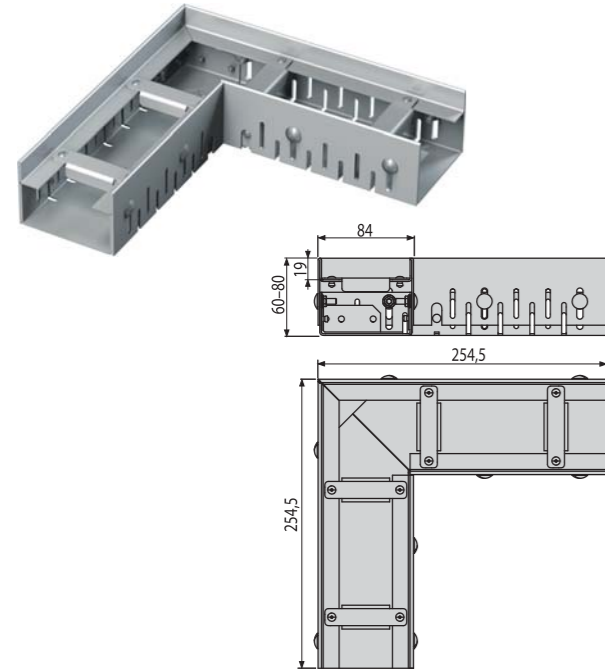
Quantity (packing)	-
Quantity (pallet)	-
Material	galvanized steel/stainless steel

Quantity (packing)	-
Quantity (pallet)	-
Material	galvanized steel/stainless steel

Quantity (packing)	-
Quantity (pallet)	-
Material	stainless steel

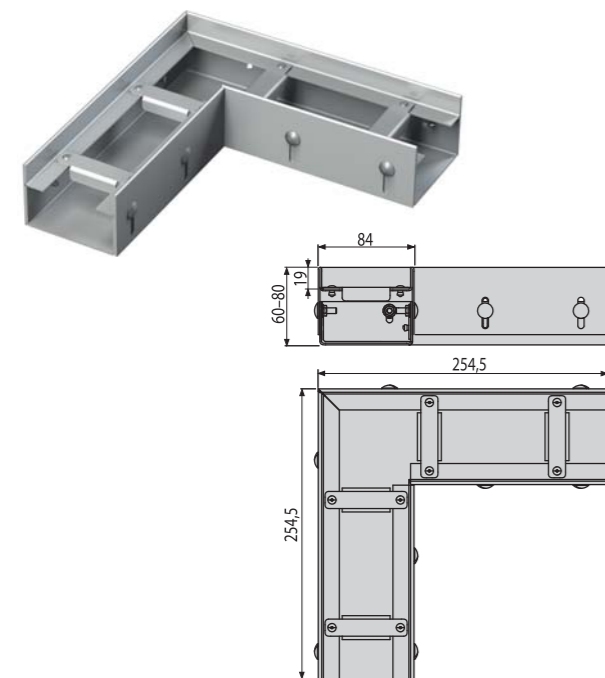
**ADZ101VR**  
Drainage corner channel 75 mm adjustable, galvanized steel

**ADZ301VR**  
Drainage corner channel 75 mm adjustable, stainless steel



Quantity (packing) 1 pc  
Quantity (pallet) 100 pcs  
Material galvanized steel/stainless steel

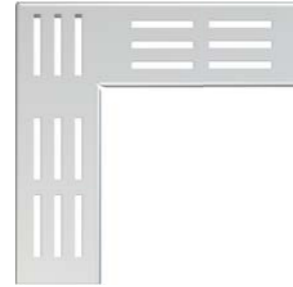
**ADZ331VR**  
Drainage corner channel 75 mm adjustable, stainless steel



Quantity (packing) 1 pc  
Quantity (pallet) 100 pcs  
Material galvanized steel/stainless steel

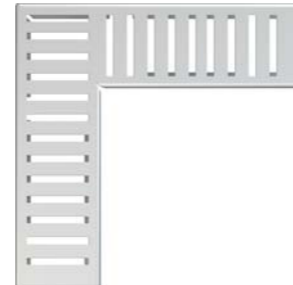
**ADZ-R101R**  
Grid for drainage corner channel 75 mm, galvanized steel

**ADZ-R301R**  
Grid for drainage corner channel 75 mm, stainless steel



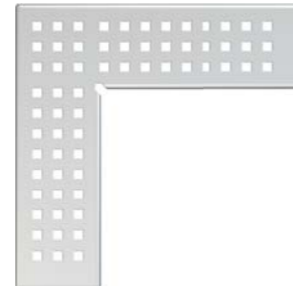
**ADZ-R102R**  
Grid for drainage corner channel 75 mm, galvanized steel

**ADZ-R302R**  
Grid for drainage corner channel 75 mm, stainless steel

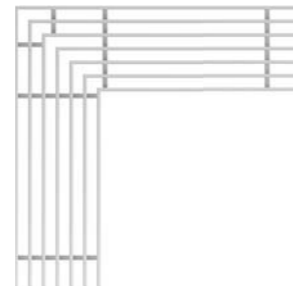


**ADZ-R103R**  
Grid for drainage corner channel 75 mm, galvanized steel

**ADZ-R303R**  
Grid for drainage corner channel 75 mm, stainless steel

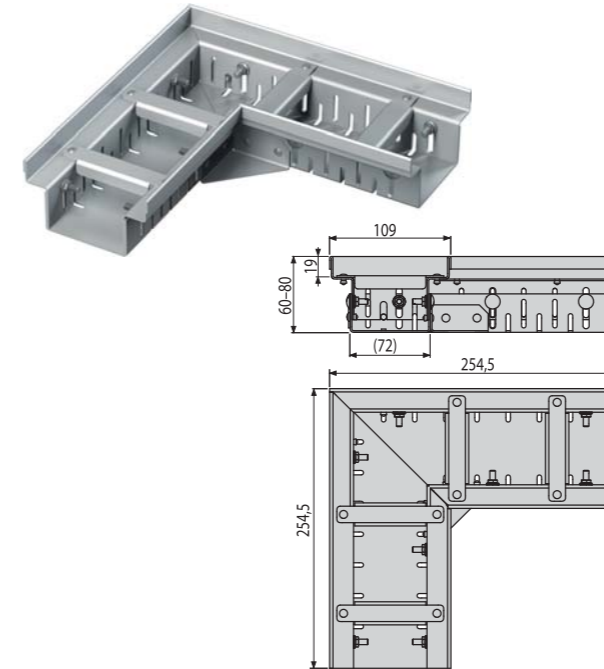


**ADZ-R304R**  
Grid for drainage corner channel 75 mm, stainless steel



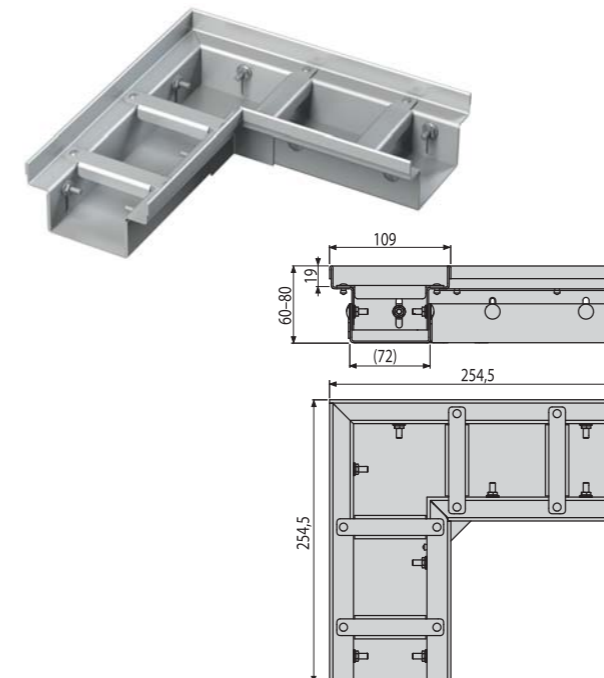
**ADZ102VR**  
Drainage corner channel 100 mm adjustable, galvanized steel

**ADZ302VR**  
Drainage corner channel 100 mm adjustable, stainless steel



Quantity (packing) 1 pc  
Quantity (pallet) 100 pcs  
Material galvanized steel/stainless steel

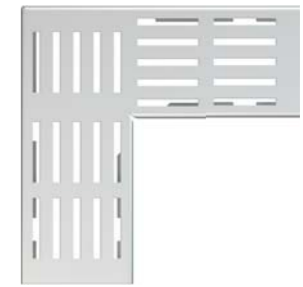
**ADZ332VR**  
Drainage corner channel 100 mm adjustable, stainless steel



Quantity (packing) 1 pc  
Quantity (pallet) 100 pcs  
Material galvanized steel/stainless steel

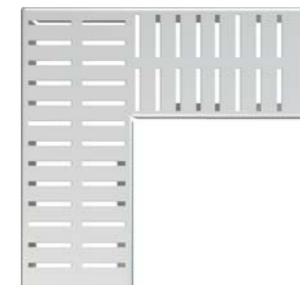
**ADZ-R121R**  
Grid for drainage corner channel 100 mm, galvanized steel

**ADZ-R321R**  
Grid for drainage corner channel 100 mm, stainless steel



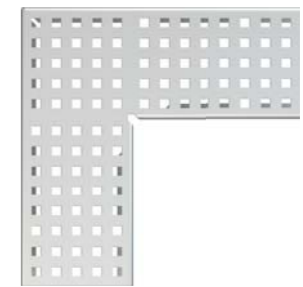
**ADZ-R122R**  
Grid for drainage corner channel 100 mm, galvanized steel

**ADZ-R322R**  
Grid for drainage corner channel 100 mm, stainless steel

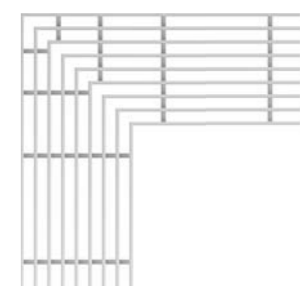


**ADZ-R123R**  
Grid for drainage corner channel 100 mm, galvanized steel

**ADZ-R323R**  
Grid for drainage corner channel 100 mm, stainless steel



**ADZ-R324R**  
Grid for drainage corner channel 100 mm, stainless steel



# Floor drains



Stainless steel floor drains	146
Plastic floor drains with stainless steel grids	147
Plastic floor drains with design grids	151
Plastic floor drains with plastic grids	152
Floor drains – accessories	154
Waterproofing foil	156

**APV110**

Floor drain stainless steel extra-low 130x130 mm side outlet, without grid, combined odour trap SMART



Flow rate	40 l/min
Material	stainless steel
Quantity (packing)	6 pcs
Quantity (pallet)	120 pcs

**APV120**

Floor drain stainless steel low 130x130 mm side outlet, without grid, combined odour trap SMART



Flow rate	50 l/min
Material	stainless steel
Quantity (packing)	1 pcs
Quantity (pallet)	120 pcs

**APV130**

Floor drain stainless steel 130x130 mm side outlet, without grid, combined odour trap



Flow rate	58 l/min
Material	stainless steel
Quantity (packing)	1 pcs
Quantity (pallet)	120 pcs

**MPV011**

Grid for stainless steel floor drains 102x102 mm stainless steel-matt



Material	stainless steel
Quantity (packing)	1 pcs
Quantity (pallet)	- pcs

**MPV012**

Grid for stainless steel floor drains 102x102 mm stainless steel-matt



Material	stainless steel
Quantity (packing)	1 pcs
Quantity (pallet)	- pcs

**MPV013**

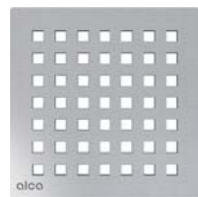
Grid for stainless steel floor drains 92x92 mm stainless steel-matt



Material	stainless steel
Quantity (packing)	1 pcs
Quantity (pallet)	- pcs

**MPV014**

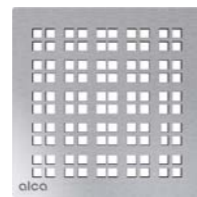
Grid for stainless steel floor drains 102x102 mm stainless steel-matt



Material	stainless steel
Quantity (packing)	1 pcs
Quantity (pallet)	- pcs

**MPV015**

Grid for stainless steel floor drains 102x102 mm stainless steel-matt



Material	stainless steel
Quantity (packing)	1 pcs
Quantity (pallet)	- pcs

**MPV016**

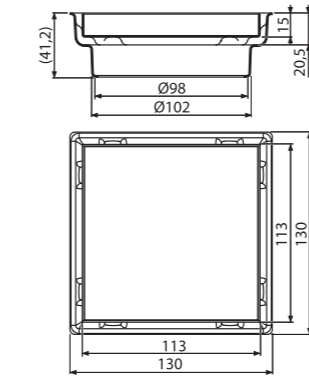
Grid for stainless steel floor drains 92x92 mm for embedding tiles



Material	stainless steel
Quantity (packing)	1 pcs
Quantity (pallet)	- pcs

**APVN0100**

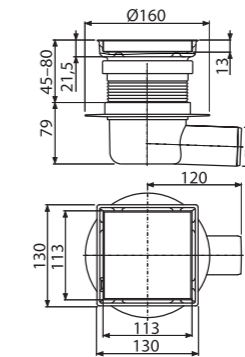
Drain throat extension neck + Two-sided grid 130x130 mm, stainless steel



Flow rate	-
Material	stainless steel
Quantity (packing)	1 pcs
Quantity (pallet)	- pcs

**APV140**

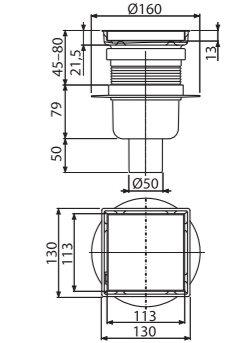
Stainless steel floor drain 130x130 mm side outlet, two-sided stainless steel grid, wet odour trap



Flow rate	48 l/min
Material	stainless steel
Quantity (packing)	8 pcs
Quantity (pallet)	160 pcs

**APV240**

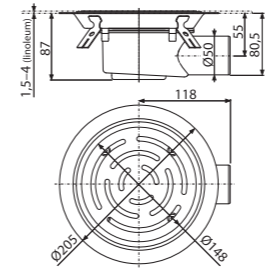
Stainless steel floor drain 130x130 mm straight outlet, two-sided stainless steel grid, wet odour trap



Flow rate	48 l/min
Material	stainless steel
Quantity (packing)	8 pcs
Quantity (pallet)	160 pcs

**APV3513**

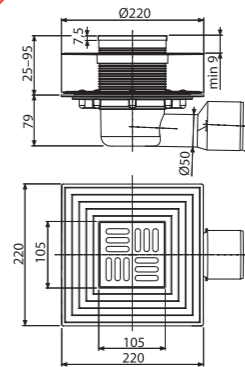
Floor drain 105x105/50 mm side outlet, stainless steel grid, stainless steel flange and collar-2nd level insulation, combined odour trap SMART



Flow rate	46 l/min
Material	stainless steel, polypropylene
Quantity (packing)	1 pcs
Quantity (pallet)	120 pcs

**APV3344**

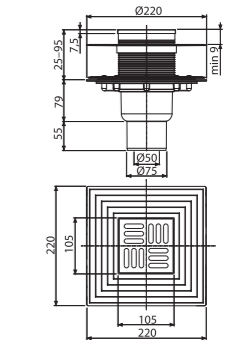
Floor drain 105x105/50/75 mm side outlet, stainless steel grid, stainless steel flange and collar-2nd level insulation, wet and dry odour trap



Flow rate	46/62 l/min
Material	polypropylene
Quantity (packing)	8 pcs
Quantity (pallet)	128 pcs

**APV4344**

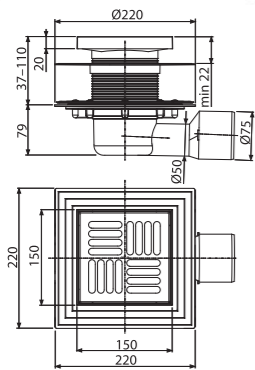
Floor drain 105x105/50/75 mm straight outlet, stainless steel grid, stainless steel flange and collar-2nd level insulation, wet and dry odour trap



Flow rate	46/62 l/min
Material	polypropylene
Quantity (packing)	8 pcs
Quantity (pallet)	160 pcs

**APV3444**

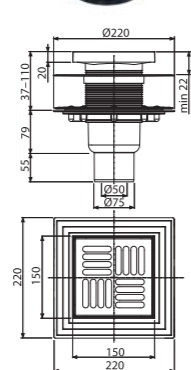
Floor drain 150x150/50/75 mm side outlet, stainless steel grid, stainless steel flange and collar-2nd level insulation, wet and dry odour trap



Flow rate	46/62 l/min
Material	polypropylene
Quantity (packing)	8 pcs
Quantity (pallet)	128 pcs

**APV4444**

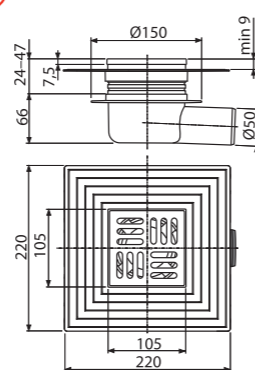
Floor drain 150x150/50/75 mm straight outlet, stainless steel grid, stainless steel flange and collar-2nd level insulation, wet and dry odour trap



Flow rate	46/62 l/min
Material	polypropylene
Quantity (packing)	8 pcs
Quantity (pallet)	160 pcs

**APV26C**

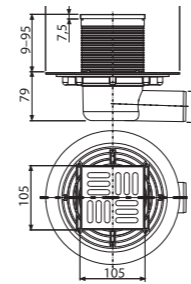
Floor drain 105x105/50 mm side outlet, stainless steel grid, collar-2nd level insulation, dry odour trap



Flow rate	62 l/min
Material	ABS, polypropylene
Quantity (packing)	8 pcs
Quantity (pallet)	160 pcs

**APV1321**

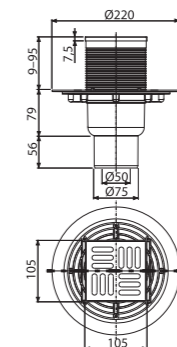
Floor drain 105x105/50 mm side outlet, stainless steel grid, combined odour trap SMART



Flow rate	37 l/min
Material	polypropylene
Quantity (packing)	8 pcs
Quantity (pallet)	160 pcs

**APV2321**

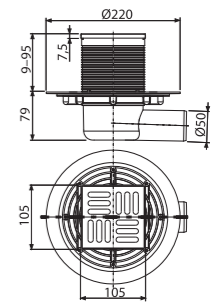
Floor drain 105x105/50/75 mm straight outlet, stainless steel grid, combined odour trap SMART



Flow rate	37 l/min
Material	polypropylene
Quantity (packing)	8 pcs
Quantity (pallet)	160 pcs

**APV1311**

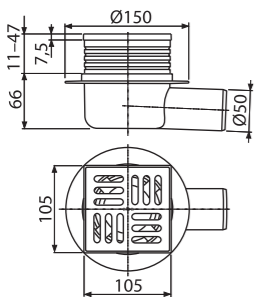
Floor drain 105x105/50 mm side outlet, stainless steel grid, wet odour trap



Flow rate	46 l/min
Material	polypropylene
Quantity (packing)	8 pcs
Quantity (pallet)	160 pcs

**APV26**

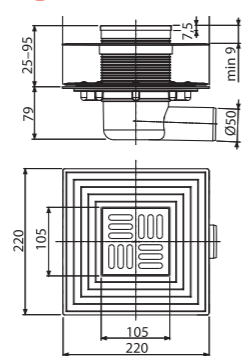
Floor drain 105x105/50 mm side outlet, stainless steel grid, wet odour trap



Flow rate	32 l/min
Material	ABS, polypropylene
Quantity (packing)	25 pcs
Quantity (pallet)	400 pcs

**APV1324**

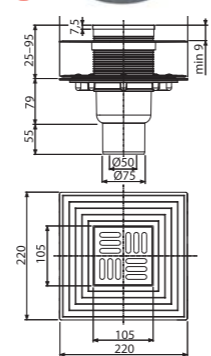
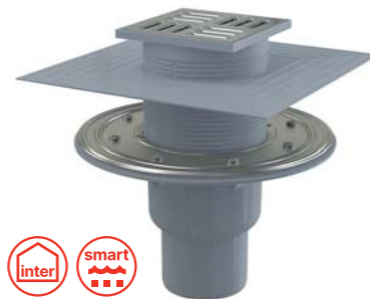
Floor drain 105x105/50 mm side outlet, stainless steel grid, stainless steel flange and collar-2nd level insulation, combined odour trap SMART



Flow rate	37 l/min
Material	polypropylene
Quantity (packing)	8 pcs
Quantity (pallet)	128 pcs

**APV2324**

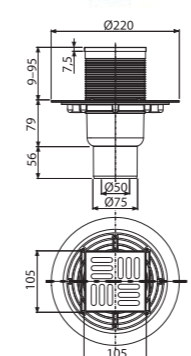
Floor drain 105x105/50/75 mm straight outlet, stainless steel grid, stainless steel flange and collar-2nd level insulation, combined odour trap SMART



Flow rate	37 l/min
Material	polypropylene
Quantity (packing)	8 pcs
Quantity (pallet)	160 pcs

**APV2311**

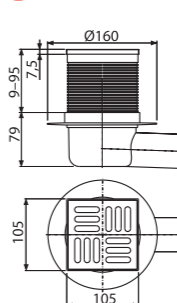
Floor drain 105x105/50/75 mm straight outlet, stainless steel grid, wet odour trap



Flow rate	46 l/min
Material	polypropylene
Quantity (packing)	8 pcs
Quantity (pallet)	160 pcs

**APV31BLACK**

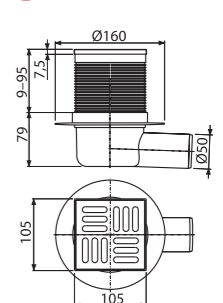
Floor drain 105x105/50 mm side outlet, stainless steel grid black-matt, combined odour trap SMART



Flow rate	37 l/min
Material	ABS, polypropylene
Quantity (packing)	20 pcs
Quantity (pallet)	320 pcs

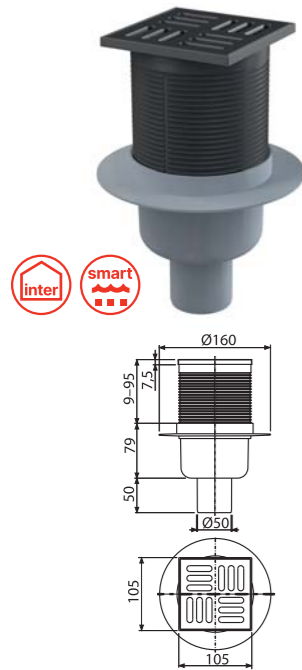
**APV31**

Floor drain 105x105/50 mm side outlet, stainless steel grid, combined odour trap SMART



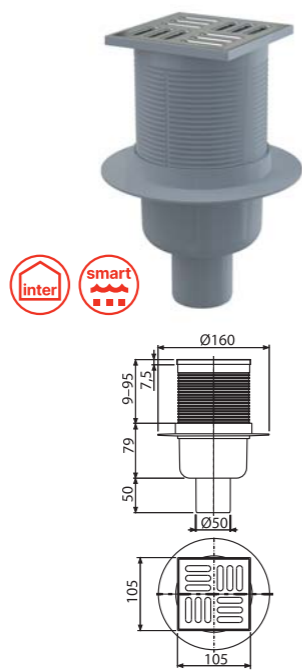
Flow rate	37 l/min
Material	ABS, polypropylene
Quantity (packing)	20 pcs
Quantity (pallet)	320 pcs

**APV32BLACK**  
Floor drain 105×105/50 mm straight outlet, stainless steel grid black-matt, combined odour trap SMART



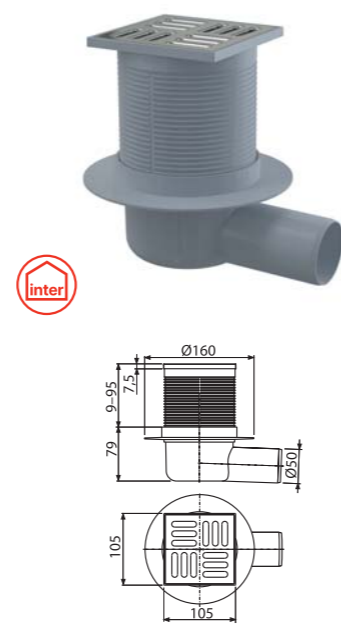
Flow rate	37 l/min
Material	ABS, polypropylene
Quantity (packing)	20 pcs
Quantity (pallet)	320 pcs

**APV32**  
Floor drain 105×105/50 mm straight outlet, stainless steel grid, combined odour trap SMART



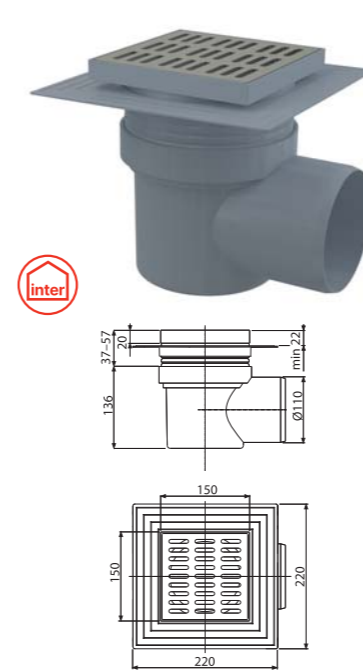
Flow rate	37 l/min
Material	ABS, polypropylene
Quantity (packing)	20 pcs
Quantity (pallet)	320 pcs

**APV1**  
Floor drain 105×105/50 mm side outlet, stainless steel grid, wet odour trap



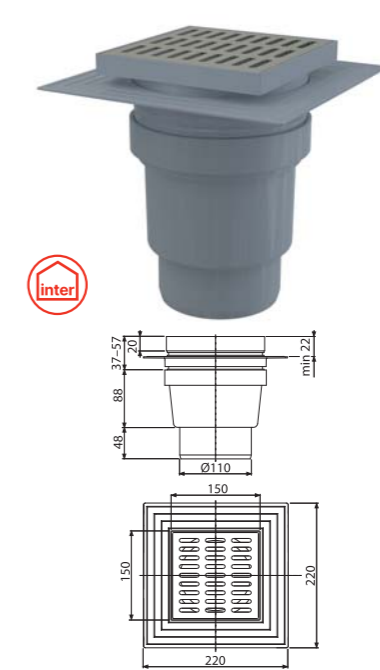
Flow rate	46 l/min
Material	ABS, polypropylene
Quantity (packing)	20 pcs
Quantity (pallet)	320 pcs

**APV12**  
Floor drain 150×150/110 mm side outlet, stainless steel grid, collar-2nd level insulation, wet odour trap



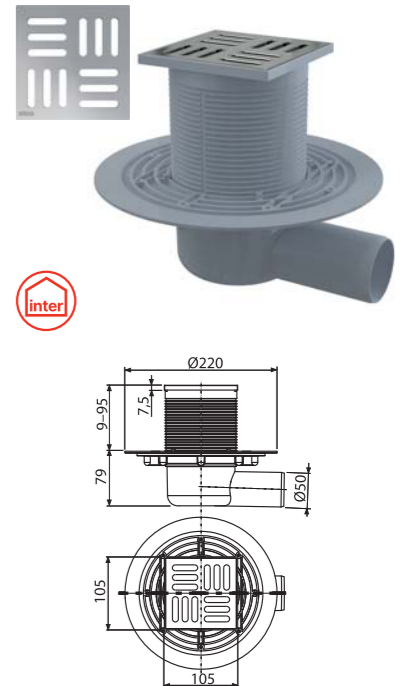
Flow rate	89 l/min
Material	polypropylene
Quantity (packing)	8 pcs
Quantity (pallet)	160 pcs

**APV13**  
Floor drain 150×150/110 mm straight outlet, stainless steel grid, collar-2nd level insulation, wet odour trap



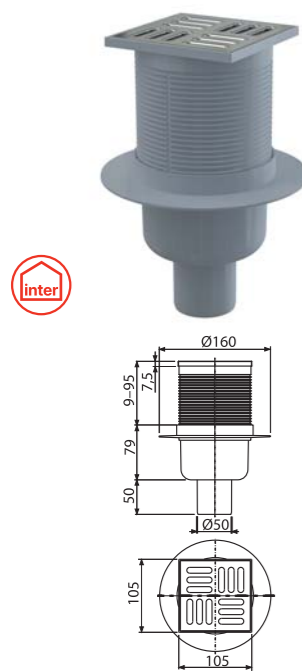
Flow rate	89 l/min
Material	polypropylene
Quantity (packing)	8 pcs
Quantity (pallet)	160 pcs

**APV101**  
Floor drain 105×105/50 mm side outlet, stainless steel grid, wet odour trap



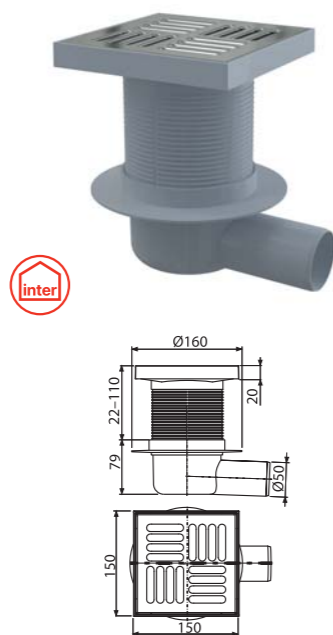
Flow rate	46 l/min
Material	polypropylene
Quantity (packing)	8 pcs
Quantity (pallet)	160 pcs

**APV2**  
Floor drain 105×105/50 mm straight outlet, stainless steel grid, wet odour trap



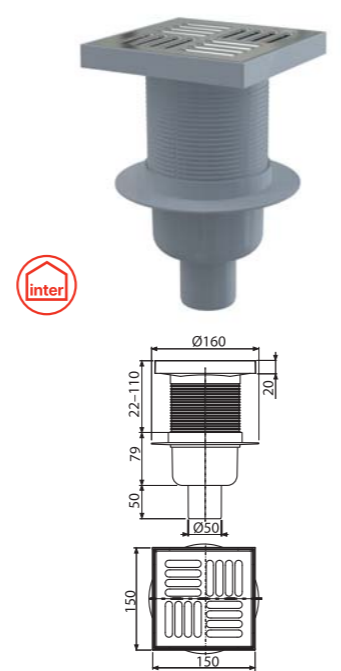
Flow rate	46 l/min
Material	ABS, polypropylene
Quantity (packing)	20 pcs
Quantity (pallet)	320 pcs

**APV5411**  
Floor drain 150×150/50 mm side outlet, stainless steel grid, wet odour trap



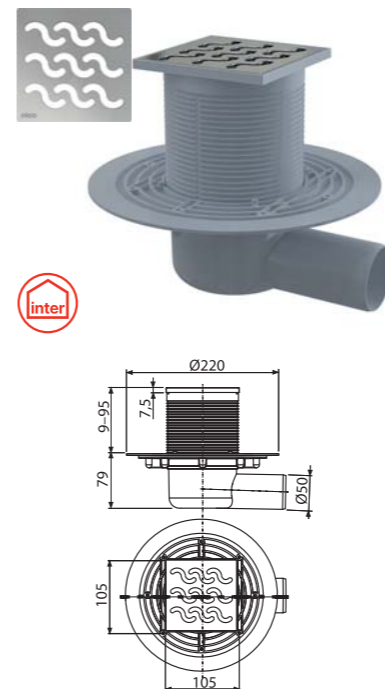
Flow rate	46 l/min
Material	ABS, polypropylene
Quantity (packing)	15 pcs
Quantity (pallet)	240 pcs

**APV6411**  
Floor drain 150×150/50 mm straight outlet, stainless steel grid, wet odour trap



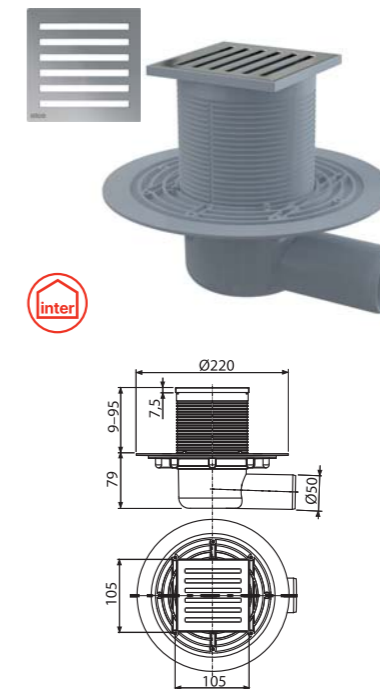
Flow rate	46 l/min
Material	ABS, polypropylene
Quantity (packing)	15 pcs
Quantity (pallet)	240 pcs

**APV102**  
Floor drain 105×105/50 mm side outlet, stainless steel grid, wet odour trap



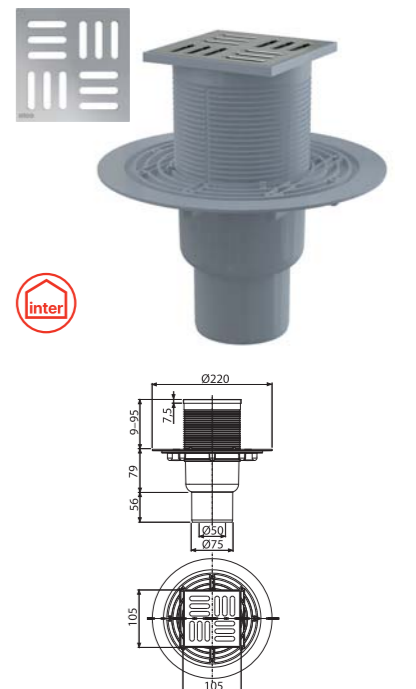
Flow rate	46 l/min
Material	polypropylene
Quantity (packing)	8 pcs
Quantity (pallet)	160 pcs

**APV103**  
Floor drain 105×105/50 mm side outlet, stainless steel grid, wet odour trap



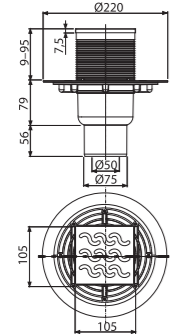
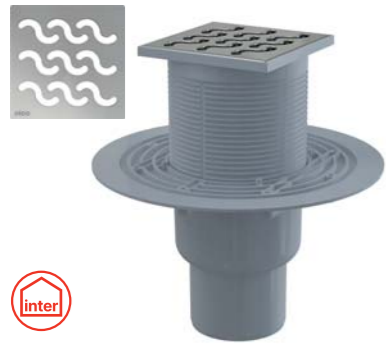
Flow rate	46 l/min
Material	polypropylene
Quantity (packing)	8 pcs
Quantity (pallet)	160 pcs

**APV201**  
Floor drain 105×105/50/75 mm straight outlet, stainless steel grid, wet odour trap



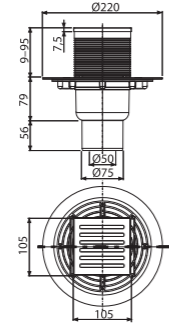
Flow rate	46 l/min
Material	polypropylene
Quantity (packing)	8 pcs
Quantity (pallet)	160 pcs

**APV202**  
Floor drain 105×105/50/75 mm straight outlet, stainless steel grid, wet odour trap



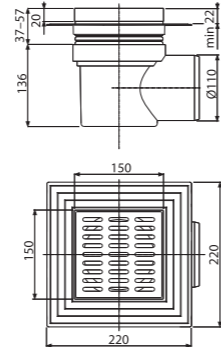
Flow rate	46 l/min
Material	polypropylene
Quantity (packing)	8 pcs
Quantity (pallet)	160 pcs

**APV203**  
Floor drain 105×105/50/75 mm straight outlet, stainless steel grid, wet odour trap



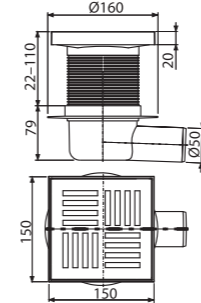
Flow rate	46 l/min
Material	polypropylene
Quantity (packing)	8 pcs
Quantity (pallet)	160 pcs

**APV10**  
Floor drain 150×150/110 mm side outlet, grey grid, collar-2nd level insulation, wet odour trap



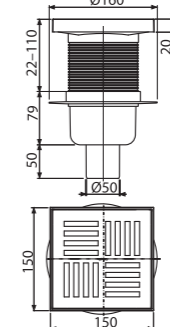
Flow rate	80 l/min
Material	polypropylene
Quantity (packing)	8 pcs
Quantity (pallet)	160 pcs

**APV5211**  
Floor drain 150×150/50 mm side outlet, grey grid, wet odour trap



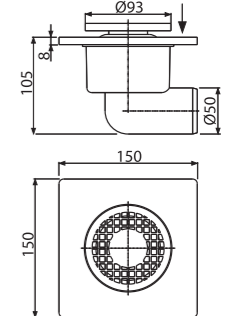
Flow rate	46 l/min
Material	ABS, polypropylene
Quantity (packing)	15 pcs
Quantity (pallet)	240 pcs

**APV6211**  
Floor drain 150×150/50 mm straight outlet, grey grid, wet odour trap



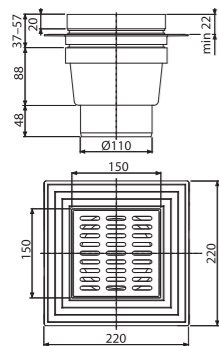
Flow rate	46 l/min
Material	ABS, polypropylene
Quantity (packing)	15 pcs
Quantity (pallet)	240 pcs

**APV3**  
Floor drain 150×150/50 mm side outlet, grey grid, wet odour trap



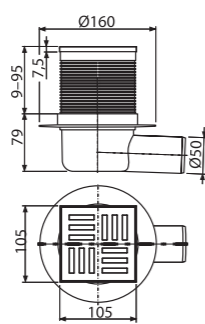
Flow rate	24 l/min
Material	polypropylene
Quantity (packing)	50 pcs
Quantity (pallet)	600 pcs

**APV11**  
Floor drain 150×150/110 mm straight outlet, grey grid, collar-2nd level insulation, wet odour trap



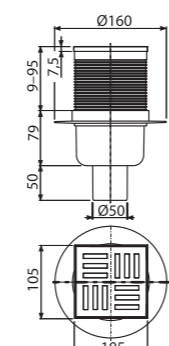
Flow rate	80 l/min
Material	ABS, polypropylene
Quantity (packing)	8 pcs
Quantity (pallet)	160 pcs

**APV5111**  
Floor drain 105×105/50 mm side outlet, grey grid, wet odour trap



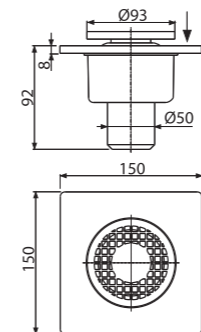
Flow rate	46 l/min
Material	ABS, polypropylene
Quantity (packing)	20 pcs
Quantity (pallet)	320 pcs

**APV6111**  
Floor drain 105×105/50 mm straight outlet, grey grid, wet odour trap



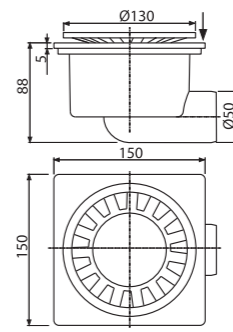
Flow rate	46 l/min
Material	ABS, polypropylene
Quantity (packing)	20 pcs
Quantity (pallet)	320 pcs

**APV4**  
Floor drain 150×150/50 mm straight outlet, grey grid, wet odour trap



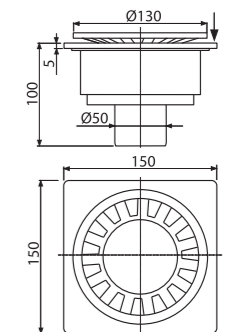
Flow rate	24 l/min
Material	polypropylene
Quantity (packing)	50 pcs
Quantity (pallet)	600 pcs

**APV15**  
Floor drain 150×150/50 mm side outlet, white grid, wet odour trap



Flow rate	24 l/min
Material	ABS
Quantity (packing)	20 pcs
Quantity (pallet)	320 pcs

**APV16**  
Floor drain 150×150/50 mm straight outlet, grey grid, wet odour trap



Flow rate	24 l/min
Material	ABS
Quantity (packing)	20 pcs
Quantity (pallet)	320 pcs

**APV0006**  
Stainless steel flange seal



Material	rubber (NBR)
Quantity (packing)	-
Quantity (pallet)	-

**MPV001**  
Design grid 102×102 mm stainless steel-polished



Material	stainless steel
Quantity (packing)	-
Quantity (pallet)	-

**MPV002**  
Design grid 102×102 mm stainless steel-polished



Material	stainless steel
Quantity (packing)	-
Quantity (pallet)	-

**MPV003**  
Design grid 102×102 mm stainless steel-polished



Material	stainless steel
Quantity (packing)	-
Quantity (pallet)	-

**MPV004**  
Grid 102×102 mm stainless steel-polished



Material	stainless steel
Quantity (packing)	-
Quantity (pallet)	-

**MPV004-BLACK**  
Grid 102×102 mm stainless steel, black-matt



Material	stainless steel
Quantity (packing)	-
Quantity (pallet)	-

**APV0010**  
Wet odour trap



Flow rate	46 l/min
Material	polypropylene
Quantity (packing)	50 pcs
Quantity (pallet)	1400 pcs

**APV0020**  
Combined odour trap SMART



Flow rate	37 l/min
Material	polypropylene
Quantity (packing)	50 pcs
Quantity (pallet)	1400 pcs

**APV0030**  
Dry odour trap



Flow rate	57–62 l/min
Material	polypropylene
Quantity (packing)	50 pcs
Quantity (pallet)	1400 pcs

**APV0050**  
Wet odour trap for APV26, APV26C



Flow rate	32 l/min
Quantity (packing)	50 pcs
Quantity (pallet)	1400 pcs
Material	polypropylene

**APV0060**  
Dry odour trap for APV26, APV26C



Flow rate	62 l/min
Quantity (packing)	50 pcs
Quantity (pallet)	1400 pcs
Material	polypropylene

**APV0800**  
Drain throat extension neck DN105



Quantity (packing)	-
Quantity (pallet)	-
Material	polypropylene

**P143**  
Combined odour trap SMART for APZ-S6



Quantity (packing)	1 pc
Quantity (pallet)	- pcs

**P144**  
Combined odour trap SMART for APZ-S9



Quantity (packing)	1 pc
Quantity (pallet)	- pcs

**P145**  
Combined odour trap SMART for APZ-S12



Quantity (packing)	1 pc
Quantity (pallet)	- pcs

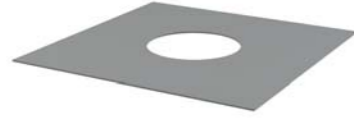
**P198**  
Template for APV3513



Quantity (packing)	- pc
Quantity (pallet)	- pcs

**AIZ1**

Self-adhesive waterproof membrane for a floor drain 300×300 mm



Quantity (packing) 50 pcs  
Quantity (pallet) 1400 pcs

**AIZ3**

Waterproof membrane 2000×1300 mm



Quantity (packing) 10 pcs  
Quantity (pallet) 160 pcs

**COMPATIBILITY OF FLOOR DRAINS WITH ODOUR TRAPS**

Type of odour trap	Code	Included in package	Compatibility
wet	APV0010	APV140, APV240, APV101, APV201, APV102, APV202, APV103, APV203, APV1311, APV2311, APV1, APV2, APV5411, A6411, APV5111, APV6111, APV5211, APV6211, APV3344, APV4344, APV3444, APV4444	APV1324, APV2324, APV1321, APV2321, APV31, APV31BLACK, APV32, APV32BLACK
SMART	APV0020	APV1324, APV2324, APV1321, APV2321	APV140, APV240, APV101, APV201, APV102, APV202, APV103, APV203, APV1311, APV2311, APV1, APV2, APV5411, A6411, APV5111, APV6111, APV5211, APV6211, APV3344, APV4344, APV3444, APV4444, APV1324, APV2324, APV1321, APV2321, APV31, APV32
dry	APV0030	APV1324, APV2324, APV1321, APV2321, APV31, APV32, APV3344, APV4344, APV3444, APV4444	APV140, APV240, APV101, APV201, APV102, APV202, APV103, APV203, APV1311, APV2311, APV1, APV2, APV5411, A6411, APV5111, APV6111, APV5211, APV6211, APV1324, APV2324, APV1321, APV2321
wet – reduced	APV0050	APV26	APV26C
dry – reduced	APV0060	APV26C	APV26



# Wastes and traps

Products from recycled material	160
Bath wastes and traps	162
Bath waste and traps Basic	162
Bath waste and traps pop-up	162
Bath waste and traps CLICK/CLACK	164
Bath waste and traps with overflow filler	165
Bath waste and traps for whirlpool bathtubs	168
Bath waste and traps – accessories	169
Shower wastes and traps	170
For bathtubs with drain outlet 50 mm	170
For bathtubs with drain outlet 60 mm	172
For bathtubs with drain outlet 90 mm	173
Wash-basin wastes and traps	175
Wash-basin wastes and traps with outlet	175
Wash-basin wastes and traps with coupling nut	176
Wash-basin wastes and traps – outlets	177
Metal program	177
Wash-basin wastes and traps – CLICK/CLACK outlets	177
Angle valves	180
Wash-basin wastes and traps	180
Sink wastes and traps	183
Sink wastes and traps with outlet	183
Sink wastes and traps with coupling nut	186
Sink wastes and traps – outlets	187
Wash-basin and sink wastes and traps – accessories	189
Urinal and bidet traps	191
Traps for household appliances	192
Appliance traps – accessories	194

# We make products from recycled materials

We are a responsible company that thinks about future generations and therefore behaves respectfully towards the environment. We produce from recycled material and thus transform waste into a meaningful product. In addition, we rid the planet of waste plastic. We pack our products in recyclable materials and therefore do not even produce secondary waste.



- **Made in Czech Republic**
- **Low carbon footprint**
- **Zero waste production process**
- **Top quality – strength, tightness, long service life**
- **Sustainable products with a low carbon footprint**
- **We pack products made from recycled material in recyclable LDPE film**

## Plastic recycling process



**A33-ECO**  
Sink waste G 6/4" with stainless steel grid  
Ø 70 mm, rubber plug



Quantity (packing)	100 pcs
Quantity (pallet)	2800 pcs
Material	recycled polypropylene

**A34-ECO**  
Sink waste G 6/4" raised, with stainless  
steel grid Ø 70 mm, rubber plug



Quantity (packing)	100 pcs
Quantity (pallet)	2800 pcs
Material	recycled polypropylene

**A434-ECO**  
Washbasin waste and trap DN 40 space-  
-saving with G 5/4" union nut



Quantity (packing)	12 pcs
Quantity (pallet)	336 pcs
Material	recycled polypropylene

**A44M-DN40-ECO**  
Connector for trap DN 40 with G 6/4" uni-  
on nut and two Ø 17-23 mm connectors,  
length 265 mm, plastic



Quantity (packing)	25 pcs
Quantity (pallet)	700 pcs
Material	recycled polypropylene

**A44MN-DN40-ECO**  
Connector for trap DN 40 with G 6/4"  
union nut, length 265 mm, plastic



Quantity (packing)	25 pcs
Quantity (pallet)	400 pcs
Material	recycled polypropylene

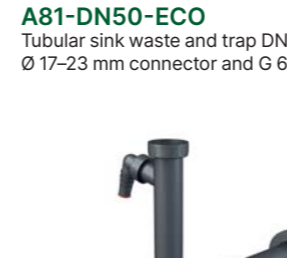
**A80-DN40-ECO**  
Tubular sink waste and trap DN 40 with  
G 6/4" union nut



Quantity (packing)	15 pcs
Quantity (pallet)	420 pcs
Material	recycled polypropylene

**A80-DN50-ECO**  
Tubular sink waste and trap DN 50 with  
G 6/4" union nut

**A81-DN40-ECO**  
Tubular sink waste and trap DN 40 with  
Ø 17-23 mm connector and G 6/4" union nut



Quantity (packing)	15 pcs
Quantity (pallet)	420 pcs
Material	recycled polypropylene

**A872P-ECO**  
Sink waste and trap DN 40 space-saving  
with Ø 17-23 mm connector and G 6/4"  
union nut



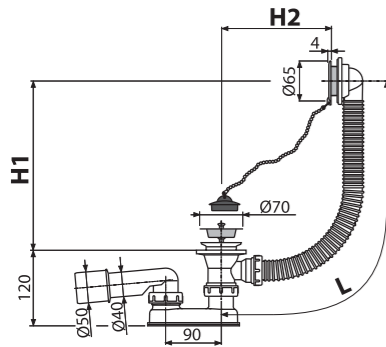
Quantity (packing)	20 pcs
Quantity (pallet)	320 pcs
Material	recycled polypropylene

**A84-DN50/40-ECO**  
Tubular sink waste and trap DN 50/40  
with two Ø 17-23 mm connectors, G 6/4"  
union nut and flexible hose



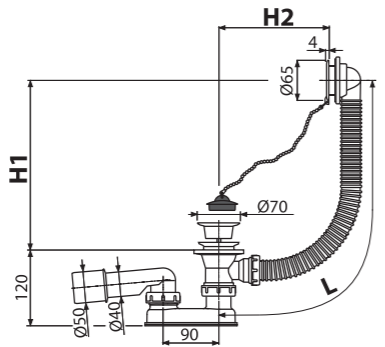
Quantity (packing)	10 pcs
Quantity (pallet)	280 pcs
Material	recycled polypropylene

**A501**  
Bath trap, length 57 cm, rubber plug,  
plastic, chrome-polished



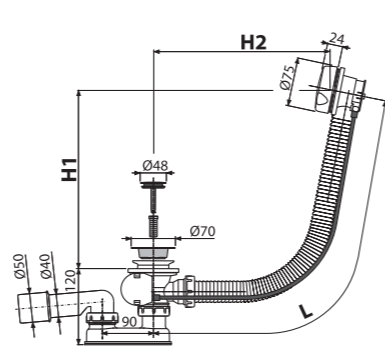
Quantity (packing)	24 pcs
Quantity (pallet)	384 pcs
Material – plug/grid	PVC/plastic

**A502**  
Bath trap, length 57 cm, rubber plug,  
plastic, white-polished



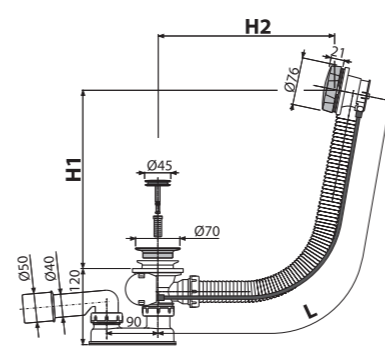
Quantity (packing)	24 pcs
Quantity (pallet)	384 pcs
Material – plug/grid	PVC/plastic

**A51B**  
Bath pop-up waste and trap, length 57  
cm, metal/plastic, chrome-polished/  
white-polished



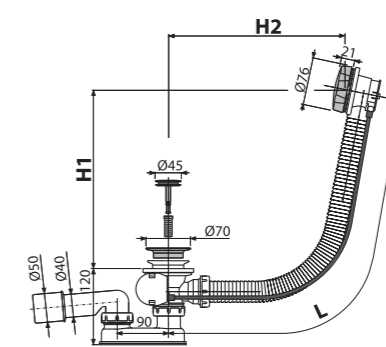
Quantity (packing)	20 pcs
Quantity (pallet)	320 pcs
Material – plug/control knob	metal/plastic

**A55K**  
Bath pop-up waste and trap, length  
57 cm, metal, chrome-polished



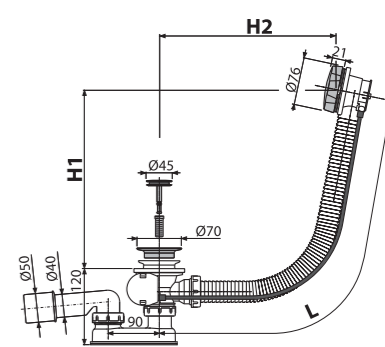
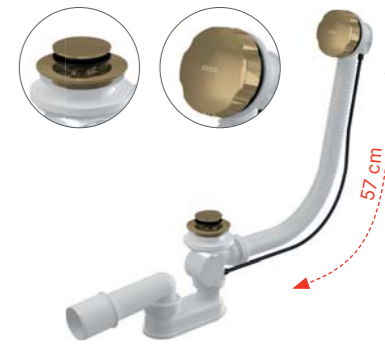
Quantity (packing)	20 pcs
Quantity (pallet)	320 pcs
Material – plug/control knob	metal/metal

**A55BLACK**  
Bath pop-up waste and trap, length  
57 cm, metal, black-matt



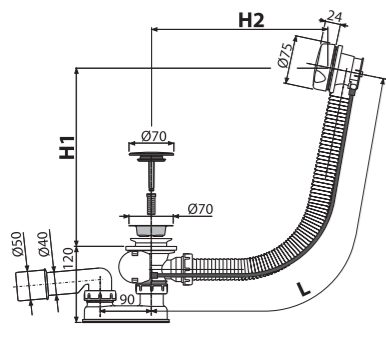
Quantity (packing)	20 pcs
Quantity (pallet)	320 pcs
Material – plug/control knob	metal/metal

**A55K-G-B**  
Bath pop-up waste and trap, length  
57 cm, metal, GOLD-brushed matt



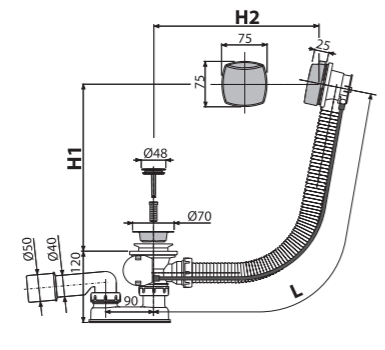
Quantity (packing)	20 pcs
Quantity (pallet)	320 pcs
Material – plug/control knob	metal/metal

**A51BM**  
Bath pop-up waste and trap, length  
57 cm, plastic, white-polished



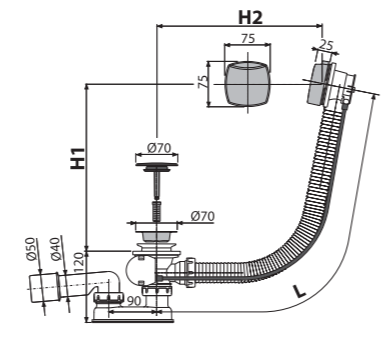
Quantity (packing)	20 pcs
Quantity (pallet)	320 pcs
Material – plug/control knob	plastic/plastic

**A51CR**  
Bath pop-up waste and trap, length  
57 cm, metal/plastic, chrome-polished



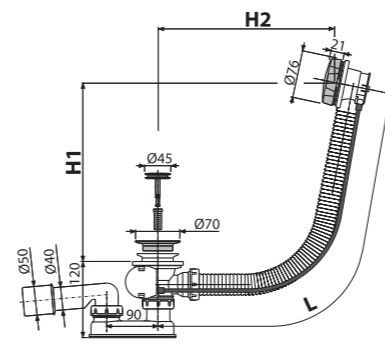
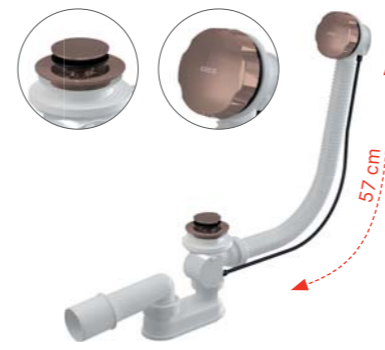
Quantity (packing)	20 pcs
Quantity (pallet)	320 pcs
Material – plug/control knob	metal/plastic

**A51CRM**  
Bath pop-up waste and trap, length  
57 cm, plastic, chrome-polished



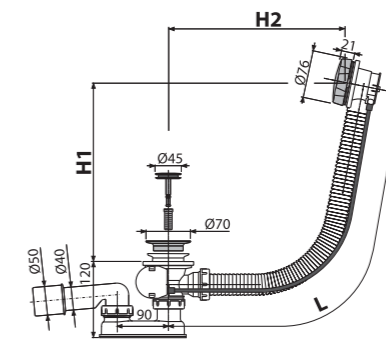
Quantity (packing)	20 pcs
Quantity (pallet)	320 pcs
Material – plug/control knob	plastic/plastic

**A55K-RG-B**  
Bath pop-up waste and trap, length  
57 cm, metal, RED GOLD-brushed matt



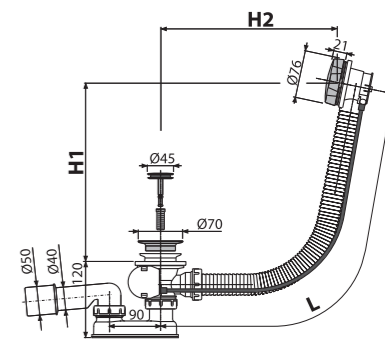
Quantity (packing)	20 pcs
Quantity (pallet)	320 pcs
Material – plug/control knob	metal/metal

**A55K-N-B**  
Bath pop-up waste and trap, length  
57 cm, metal, NICKEL-brushed matt



Quantity (packing)	20 pcs
Quantity (pallet)	320 pcs
Material – plug/control knob	metal/metal

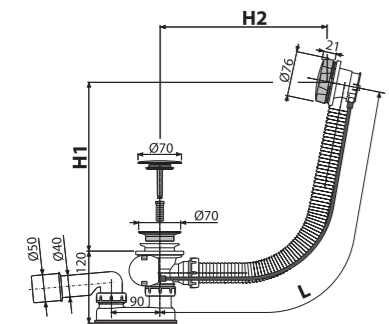
**A55K-GM-B**  
Bath pop-up waste and trap, length  
57 cm, metal, GUN METAL-brushed matt



Quantity (packing)	20 pcs
Quantity (pallet)	320 pcs
Material – plug/control knob	metal/metal

**A55KM**

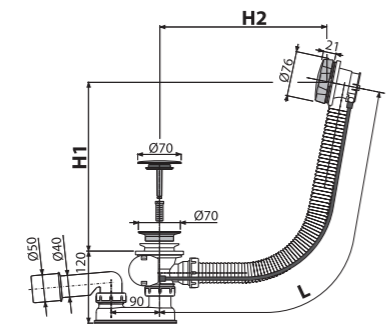
Bath pop-up waste and trap, length 57 cm, plastic/metal, chrome-polished



Quantity (packing)	20 pcs
Quantity (pallet)	320 pcs
Material – plug/control knob	plastic/metal

**A55KM-WHITE**

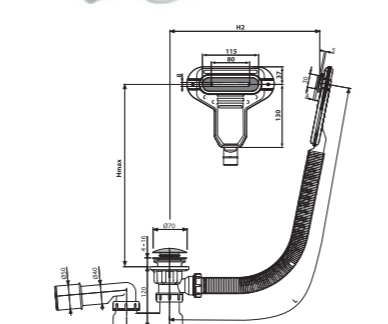
Bath pop-up waste and trap, length 57 cm, metal, white-matt



Quantity (packing)	20 pcs
Quantity (pallet)	320 pcs
Material – plug/control knob	metal/metal

**A516CKM**

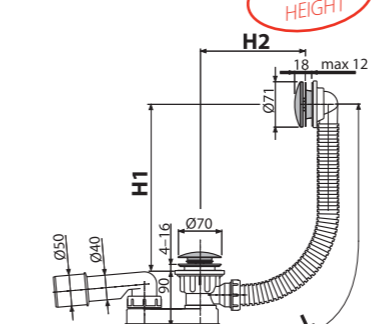
Bath CLICK/CLACK waste and trap with flat overflow, length 57 cm, metal/plastic, chrome-polished



Quantity (packing)	20 pcs
Quantity (pallet)	320 pcs
Material – plug/cap	metal/plastic

**A507BLACK**

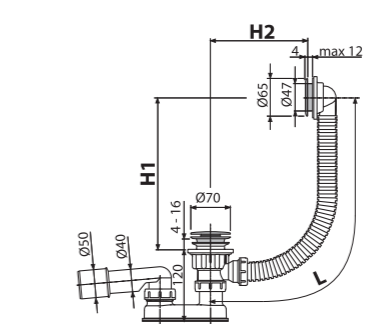
Bath CLICK/CLACK waste and trap, length 57 cm, metal, black-matt



Quantity (packing)	20 pcs
Quantity (pallet)	320 pcs
Material – plug/cap	metal/metal

**A505CRM**

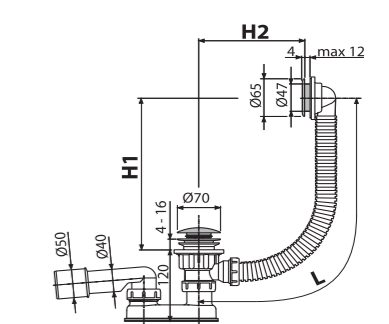
Bath CLICK/CLACK waste and trap, length 57 cm, plastic, chrome-polished



Quantity (packing)	20 pcs
Quantity (pallet)	320 pcs
Material – plug/grid	plastic/plastic

**A505CKM**

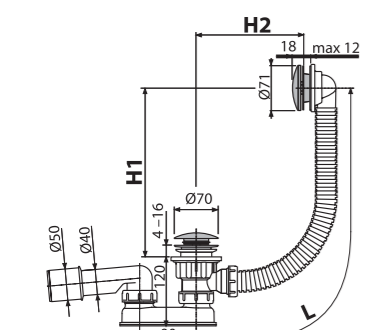
Bath CLICK/CLACK waste and trap, length 57 cm, metal/plastic, chrome-polished



Quantity (packing)	20 pcs
Quantity (pallet)	320 pcs
Material – plug/grid	metal/plastic

**A504CKM**

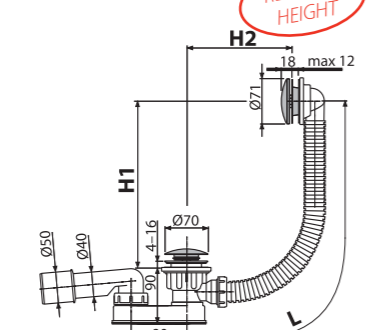
Bath CLICK/CLACK waste and trap, length 57 cm, metal, chrome-polished



Quantity (packing)	20 pcs
Quantity (pallet)	320 pcs
Material – plug/cap	metal/metal

**A507CKM**

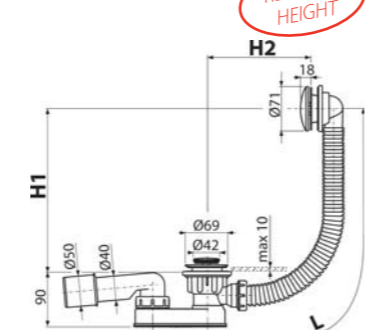
Bath CLICK/CLACK waste and trap, length 57 cm, metal, chrome-polished



Quantity (packing)	20 pcs
Quantity (pallet)	320 pcs
Material – plug/cap	metal/metal

**A507CK**

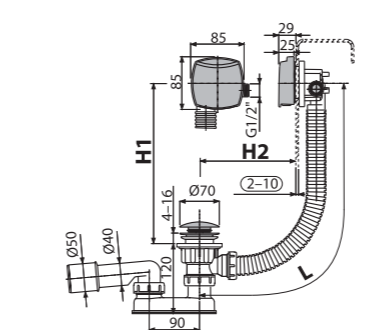
Bath CLICK/CLACK waste and trap, length 57 cm, small plug, metal, chrome-polished



Quantity (packing)	20 pcs
Quantity (pallet)	320 pcs
Material – plug/cap	metal/metal

**A508CKM**

Bath CLICK/CLACK waste and trap with overflow filling, length 57 cm, plastic, chrome-polished



Quantity (packing)	12 pcs
Quantity (pallet)	192 pcs
Material – plug/control knob	plastic/plastic

**Top cleaning**

Products containing the top cleaning waste outlet (A392C, A392BLACK, A504CKM, A505CKM, A507CKM, A507BLACK, A508CKM, A509CKM, A516CKM, A465C-50, A465BLACK-50) now have a new construction design for even easier cleaning of the outlet.

**MECHANISM INNOVATION FOR LONGER LIFETIME**

**EASY CLEANING**

**REMOVABLE WASTE OUTLET**

Easy cleaning of the waste and trap from the top (from the inside bathtub area)

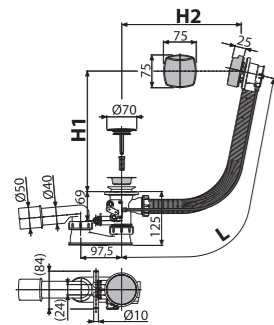
**CLICK/CLACK**

Wastes and traps



**A566-112122-57**

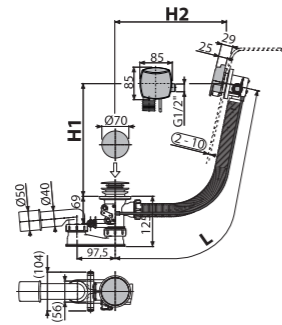
Bath trap for whirlpool baths, length 57 cm, plastic, chrome-polished



Quantity (packing)	12 pcs
Quantity (pallet)	192 pcs
Material – plug/control knob	plastic/plastic

**A566-273133-57**

Bath trap with overflow filling for whirlpool baths, length 57 cm, metal, chrome-polished

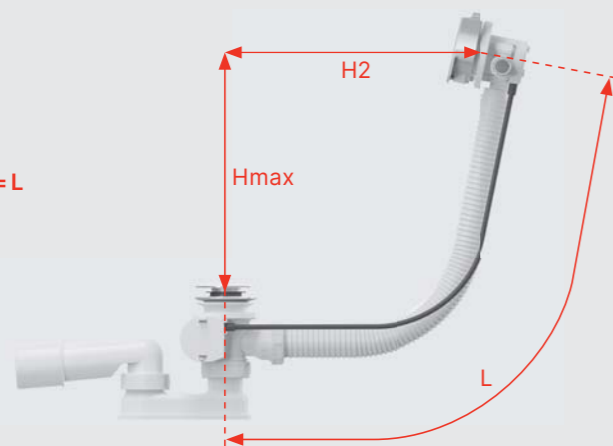


Quantity (packing)	12 pcs
Quantity (pallet)	192 pcs
Material – plug/control knob	metal/metal

**Determining the length of Alca bath wastes**

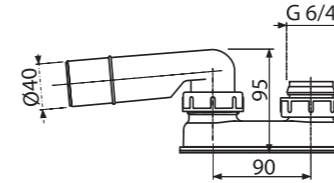
Determining the necessary length of the bath waste for different bathtub models is very easy. The waste hole in the bottom of the tub and an the overflow opening in the wall of the tub are combined perpendiculars (Hmax and H2). By adding the perpendicular lines, then we get the desired waste length (L).

$H_{max} + H2 = L$



**A53-DN40**

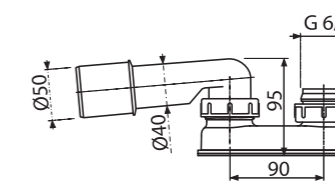
Odour trap for bath traps G 6/4" x DN 40



Quantity (packing)	75 pcs
Quantity (pallet)	1200 pcs
Material	polypropylene

**A53-DN50**

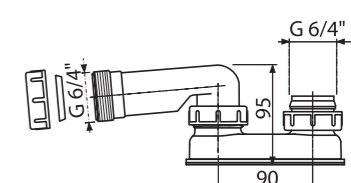
Odour trap for bath traps G 6/4" x DN 40/50



Quantity (packing)	70 pcs
Quantity (pallet)	1120 pcs
Material	polypropylene

**A53-6/4"**

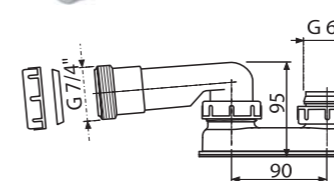
Odour trap for bath traps G 6/4" x G 6/4"



Quantity (packing)	75 pcs
Quantity (pallet)	1200 pcs
Material	polypropylene

**A53-7/4"**

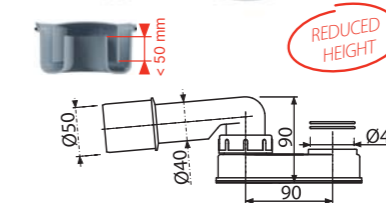
Odour trap for bath traps G 6/4" x G 7/4"



Quantity (packing)	75 pcs
Quantity (pallet)	1200 pcs
Material	polypropylene

**A531**

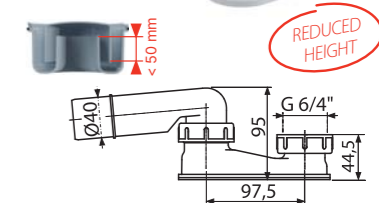
Odour trap for bath traps, low-profile, G 6/4" x DN 40/50



Quantity (packing)	75 pcs
Quantity (pallet)	1200 pcs
Material	polypropylene

**A532-DN40**

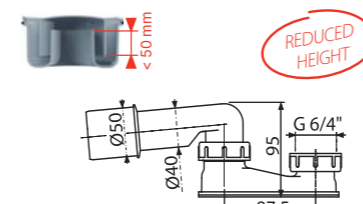
Odour trap for bath traps, low-profile, G 6/4" x DN 40



Quantity (packing)	75 pcs
Quantity (pallet)	1200 pcs
Material	polypropylene

**A532-DN50**

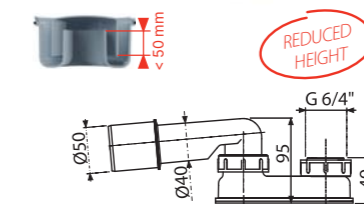
Odour trap for bath traps, low-profile, G 6/4" x DN 40/50



Quantity (packing)	75 pcs
Quantity (pallet)	1200 pcs
Material	polypropylene

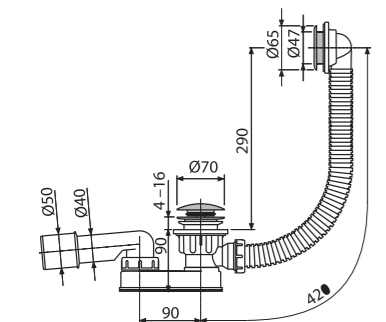
**A533-DN50**

Odour trap for bath traps, low-profile, G 6/4" x DN 40/50



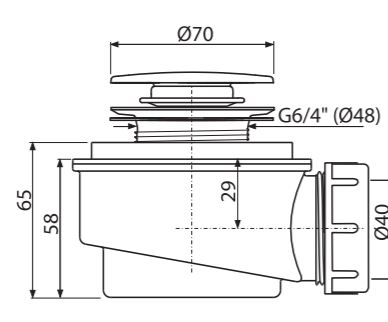
Quantity (packing)	75 pcs
Quantity (pallet)	1200 pcs
Material	polypropylene

**A506KM**  
Shower waste and trap CLICK/CLACK, reduced height, waste outlet 50 mm, DN 40/50, metal, chrome-polished



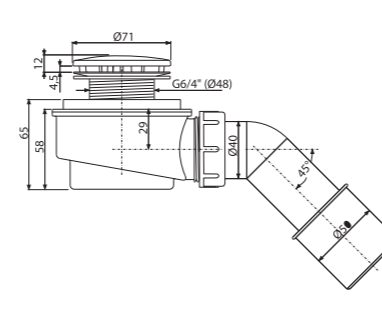
Quantity (packing)	25 pcs
Quantity (pallet)	400 pcs
Material – plug/grid	metal/plastic

**A476**  
Shower waste and trap CLICK/CLACK, waste outlet 50 mm, DN 40, plastic, chrome-polished



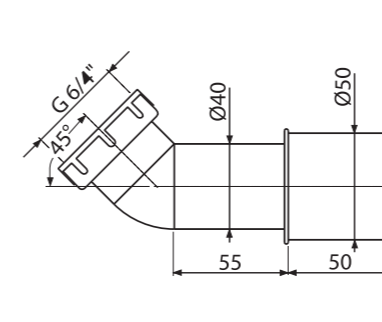
Quantity (packing)	30 pcs
Quantity (pallet)	840 pcs
Material – trap body/body/plug	polypropylene/plastic

**A471CR-50**  
Shower waste and trap, reduced height, waste outlet 50 mm, DN 50, cover Ø 71 mm, plastic, chrome-polished



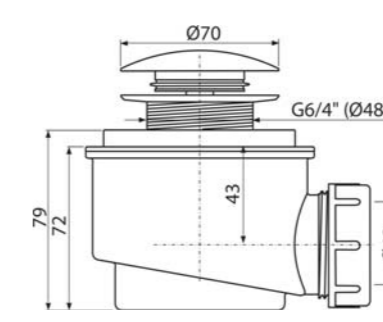
Quantity (packing)	25 pcs
Quantity (pallet)	700 pcs
Material – trap body/cover	polypropylene/plastic

**A52**  
Connection elbow 45° for shower traps, G 6/4" x DN 40/50



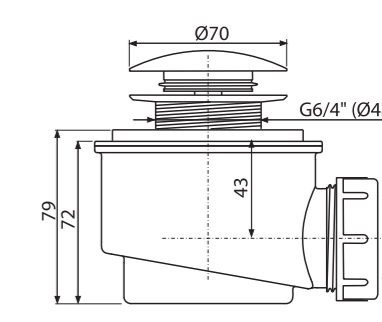
Quantity (packing)	75 pcs
Quantity (pallet)	2100 pcs
Material	ABS

**A465B-50**  
Shower waste and trap CLICK/CLACK, waste outlet 50 mm, DN 40, metal, white-polished



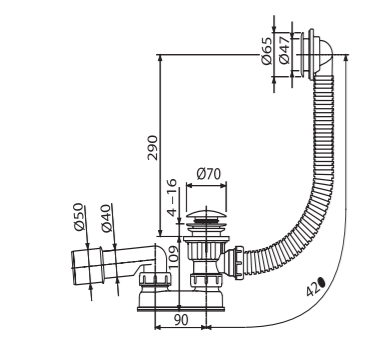
Quantity (packing)	30 pcs
Quantity (pallet)	840 pcs
Material – trap body/plug	polypropylene/metal

**A465C-50**  
Shower waste and trap CLICK/CLACK, waste outlet 50 mm, DN 40, metal, chrome-polished



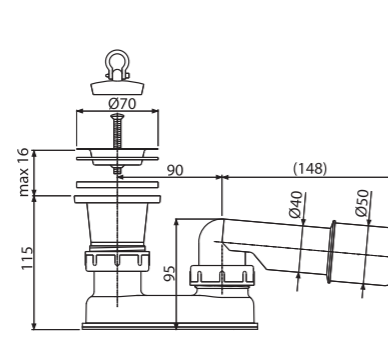
Quantity (packing)	30 pcs
Quantity (pallet)	840 pcs
Material – trap body/plug	polypropylene/metal

**A503KM**  
Shower waste and trap CLICK/CLACK, waste outlet 50 mm, DN 40/50, metal, chrome-polished



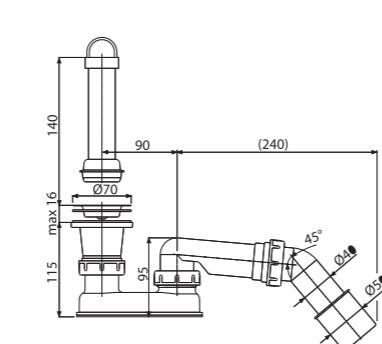
Quantity (packing)	25 pcs
Quantity (pallet)	400 pcs
Material – plug/grid	metal/plastic

**A461-50**  
Shower waste and trap with odour trap, waste outlet 50 mm, DN 40/50, metal, stainless steel-polished



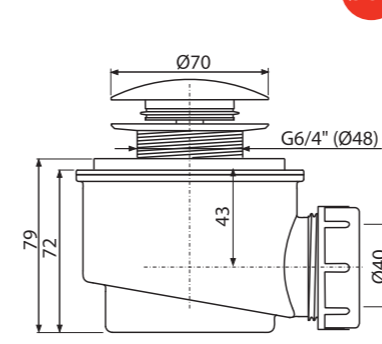
Quantity (packing)	54 pcs
Quantity (pallet)	864 pcs
Material	polypropylene

**A462-50**  
Shower waste and trap with odour trap and elbow 45°, waste outlet 50 mm, DN 40/50, metal, stainless steel-polished



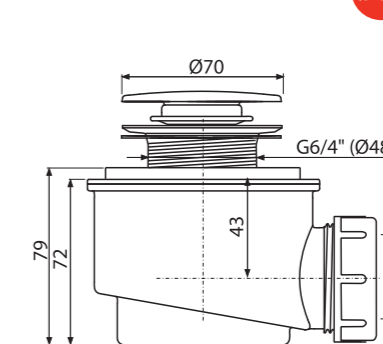
Quantity (packing)	35 pcs
Quantity (pallet)	560 pcs
Material	polypropylene

**A465BLACK-50**  
Shower waste and trap CLICK/CLACK, waste outlet 50 mm, DN 40, metal, black-matt



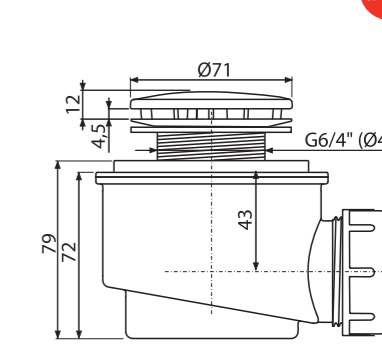
Quantity (packing)	30 pcs
Quantity (pallet)	840 pcs
Material – trap body/plug	polypropylene/metal

**A466-50**  
Shower waste and trap CLICK/CLACK, waste outlet 50 mm, DN 40, plastic, chrome-polished



Quantity (packing)	30 pcs
Quantity (pallet)	840 pcs
Material – trap body/plug	polypropylene/plastic

**A46-50**  
Shower waste and trap, waste outlet 50 mm, DN 40, grid Ø 72 mm, metal, stainless steel-polished

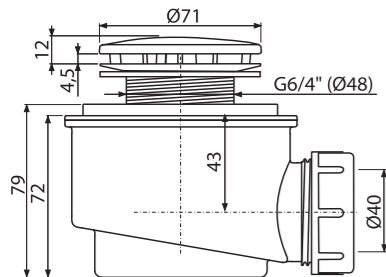


Quantity (packing)	30 pcs
Quantity (pallet)	840 pcs
Material – trap body/cover	polypropylene/metal

**A47B-50**  
Shower waste and trap, waste outlet 50 mm, DN 40, cover Ø 71 mm, plastic, white-polished



Ø50

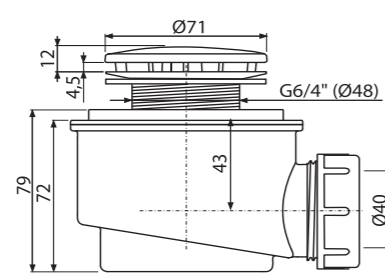


Quantity (packing)	30 pcs
Quantity (pallet)	840 pcs
Material – trap body/cover	polypropylene/ plastic

**A47CR-50**  
Shower waste and trap, waste outlet 50 mm, DN 40, cover Ø 71 mm, plastic, chrome-polished



Ø50

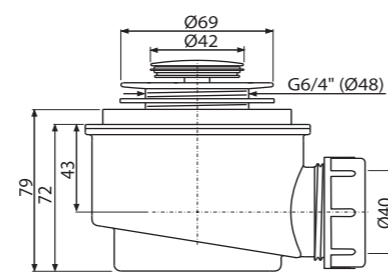


Quantity (packing)	30 pcs
Quantity (pallet)	840 pcs
Material – trap body/cover	polypropylene/ plastic

**A465CK-50**  
Shower waste and trap CLICK/CLACK, waste outlet 50 mm, DN 40, small plug Ø 42 mm, metal, chrome-polished



Ø50

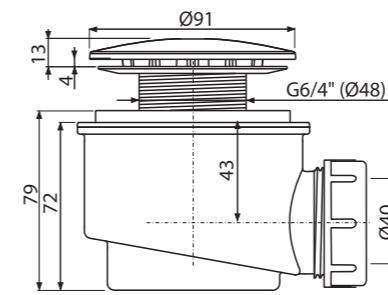


Quantity (packing)	30 pcs
Quantity (pallet)	30 pcs
Material – trap body/cover	polypropylene/ metal

**A47B-60**  
Shower waste and trap, waste outlet 60 mm, DN 40, cover Ø 91 mm, plastic, white-polished

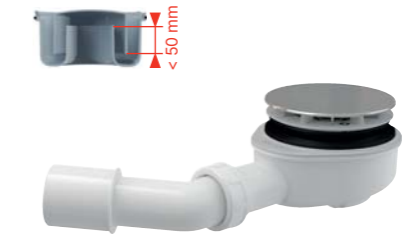


Ø60



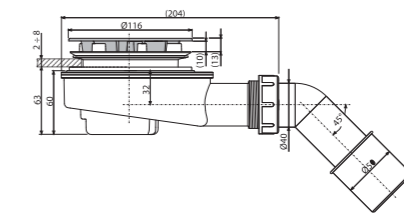
Quantity (packing)	30 pcs
Quantity (pallet)	840 pcs
Material – trap body/cover	polypropylene/ plastic

**A491CR**  
Shower waste and trap, reduced height, waste outlet 90 mm, DN 50, plastic, chrome-polished



REDUCED HEIGHT

Ø90



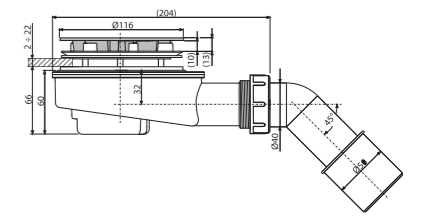
Quantity (packing)	15 pcs
Quantity (pallet)	420 pcs
Material – trap body/cover	polypropylene/ plastic

**A492CR**  
Shower waste and trap for thick-walled trays, reduced height, waste outlet 90 mm, DN 50, plastic, chrome-polished



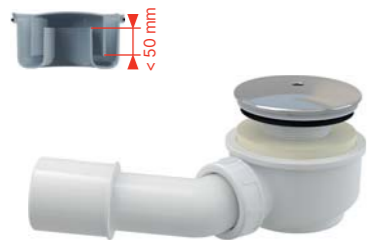
REDUCED HEIGHT

Ø90



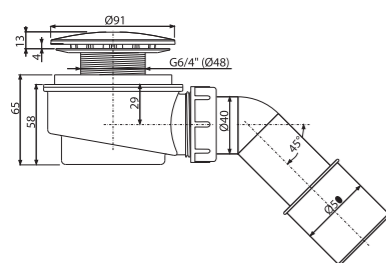
Quantity (packing)	15 pcs
Quantity (pallet)	420 pcs
Material – trap body/cover	polypropylene/ plastic

**A471CR-60**  
Shower waste and trap, reduced height, waste outlet 60 mm, DN 50, cover Ø 91 mm, plastic, chrome-polished



REDUCED HEIGHT

Ø60

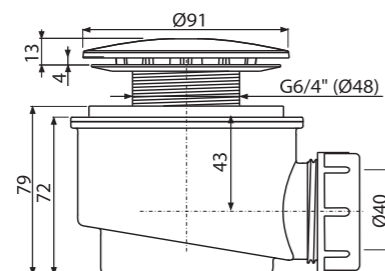


Quantity (packing)	25 pcs
Quantity (pallet)	700 pcs
Material – trap body/cover	polypropylene/ plastic

**A47CR-60**  
Shower waste and trap, waste outlet 60 mm, DN 40, cover Ø 91 mm, plastic, chrome-polished



Ø60

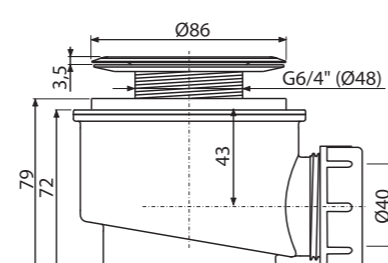


Quantity (packing)	30 pcs
Quantity (pallet)	840 pcs
Material – trap body/cover	polypropylene/ plastic

**A46-60**  
Shower waste and trap, waste outlet 60 mm, DN 40, grid Ø 86 mm, metal, stainless steel-polished

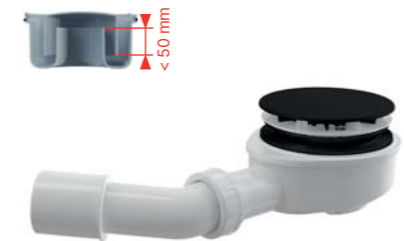


Ø60



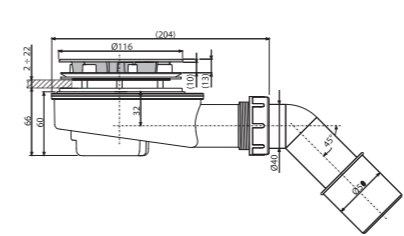
Quantity (packing)	30 pcs
Quantity (pallet)	840 pcs
Material – trap body/cover	polypropylene/ metal

**A491BLACK**  
Shower waste and trap, reduced height, waste outlet 90 mm, DN 50, plastic, black-matt



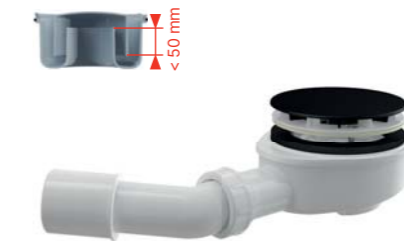
REDUCED HEIGHT

Ø90



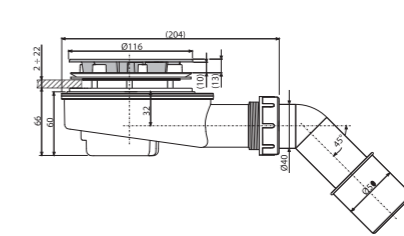
Quantity (packing)	15 pcs
Quantity (pallet)	420 pcs
Material – trap body/cover	polypropylene/ plastic

**A492BLACK**  
Shower waste and trap for thick-walled trays, reduced height, waste outlet 90 mm, DN 50, plastic, black-matt



REDUCED HEIGHT

Ø90

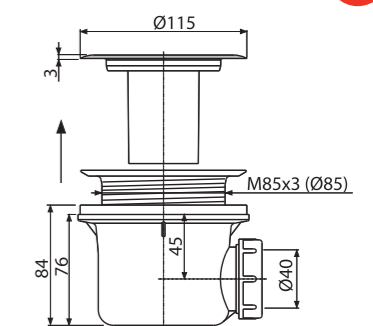


Quantity (packing)	15 pcs
Quantity (pallet)	420 pcs
Material – trap body/cover	polypropylene/ plastic

**A48**  
Shower waste and trap, waste outlet 90 mm, DN 40, grid Ø 115 mm, metal, stainless steel-polished



Ø90

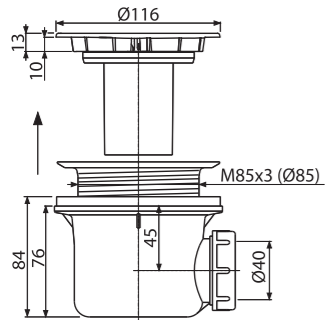


Quantity (packing)	24 pcs
Quantity (pallet)	672 pcs
Material – trap body/cover	polypropylene/ metal

**A49B**  
Shower waste and trap, waste outlet 90 mm, DN 40, plastic, white-polished



Ø90

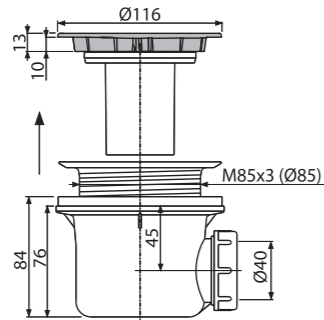


Quantity (packing)	24 pcs
Quantity (pallet)	672 pcs
Material – trap body/cover	polypropylene/plastic

**A49CR**  
Shower waste and trap, waste outlet 90 mm, DN 40, plastic, chrome-polished



Ø90

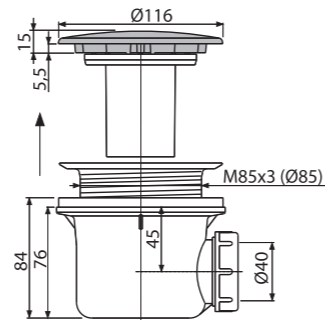


Quantity (packing)	24 pcs
Quantity (pallet)	672 pcs
Material – trap body/cover	polypropylene/plastic

**A49K**  
Shower waste and trap, waste outlet 90 mm, DN 40, metal, chrome-polished



Ø90

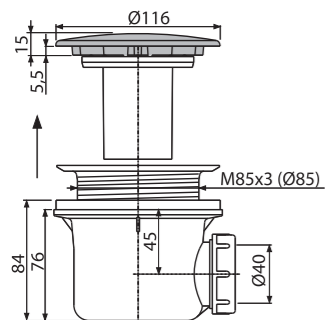


Quantity (packing)	24 pcs
Quantity (pallet)	672 pcs
Material – trap body/cover	polypropylene/metal

**A49K MAT**  
Shower waste and trap, waste outlet 90 mm, DN 40, metal, chrome-matt



Ø90

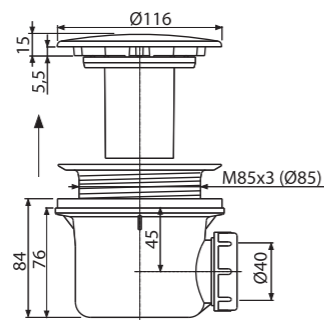


Quantity (packing)	24 pcs
Quantity (pallet)	672 pcs
Material – trap body/cover	polypropylene/metal

**A49K-B**  
Shower waste and trap, waste outlet 90 mm, DN 40, metal, white-polished



Ø90

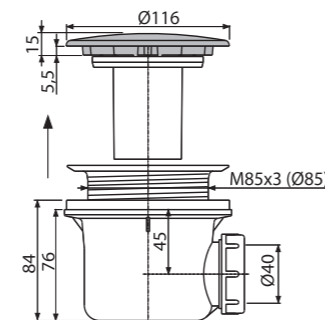


Quantity (packing)	24 pcs
Quantity (pallet)	672 pcs
Material – trap body/cover	polypropylene/metal

**A49BLACK**  
Shower waste and trap, waste outlet 90 mm, DN 40, metal, black-matt



Ø90



Quantity (packing)	24 pcs
Quantity (pallet)	672 pcs
Material – trap body/cover	polypropylene/metal

**A41**  
Washbasin trap DN 40 with stainless steel grid Ø 62 mm, rubber plug



Quantity (packing)	25 pcs
Quantity (pallet)	700 pcs
Material	polypropylene

**A410**  
Washbasin trap DN 32 with stainless steel grid Ø 62 mm, rubber plug



Quantity (packing)	25 pcs
Quantity (pallet)	700 pcs
Material	polypropylene

**A412-DN40**  
Washbasin trap DN 40 space-saving with stainless steel grid Ø 62 mm, rubber plug



Quantity (packing)	20 pcs
Quantity (pallet)	560 pcs
Material	polypropylene

**A42**  
Washbasin trap DN 40 with plastic grid Ø 62 mm, rubber plug



Quantity (packing)	25 pcs
Quantity (pallet)	700 pcs
Material	polypropylene

**A420**  
Washbasin trap DN 32 with plastic grid Ø 62 mm, rubber plug



Quantity (packing)	25 pcs
Quantity (pallet)	700 pcs
Material	polypropylene

**A421**  
Washbasin trap DN 32 with plastic grid Ø 62 mm, rubber plug



Quantity (packing)	25 pcs
Quantity (pallet)	700 pcs
Material	polypropylene

**A411**  
Washbasin trap DN 32 with stainless steel grid Ø 62 mm, rubber plug



Quantity (packing)	25 pcs
Quantity (pallet)	700 pcs
Material	polypropylene

**A41P**  
Washbasin trap DN 40 with Ø 17–23 mm connector and stainless steel grid Ø 62 mm, rubber plug



**A410P**  
Washbasin trap DN 32 with Ø 17–23 mm connector and stainless steel grid Ø 62 mm, rubber plug



Quantity (packing)	20 pcs
Quantity (pallet)	560 pcs
Material	polypropylene

**A42P**  
Washbasin trap DN 40 with Ø 17–23 mm connector and plastic grid Ø 62 mm, rubber plug



Quantity (packing)	20 pcs
Quantity (pallet)	560 pcs
Material	polypropylene

**A413**  
Washbasin trap DN 40 space-saving with stainless steel grid Ø 62 mm



Quantity (packing)	20 pcs
Quantity (pallet)	320 pcs
Material	polypropylene

**A41R**  
Washbasin trap DN 40 with stainless steel grid Ø 62 mm, chain, rubber plug



Quantity (packing)	25 pcs
Quantity (pallet)	700 pcs
Material	polypropylene

**A42R**  
Washbasin trap DN 40 with plastic grid  
Ø 62 mm, chain, rubber plug



Quantity (packing) 25 pcs  
Quantity (pallet) 700 pcs  
Material polypropylene

**A41PR**  
Washbasin trap DN 40 with Ø 17-23 mm  
connector and stainless steel grid  
Ø 62 mm, chain, rubber plug



Quantity (packing) 20 pcs  
Quantity (pallet) 560 pcs  
Material polypropylene

**A45F-DN40**  
Washbasin and bidet trap DN 40 with  
G 5/4" union nut, plastic



Quantity (packing) 25 pcs  
Quantity (pallet) 700 pcs  
Material polypropylene

**A45F-DN32**  
Washbasin and bidet trap DN 32 with  
G 5/4" union nut, plastic

**A43**  
Washbasin trap DN 40 with G 5/4" union  
nut



Quantity (packing) 25 pcs  
Quantity (pallet) 700 pcs  
Material polypropylene

**A430**  
Washbasin trap DN 32 with G 5/4" union  
nut

**A43P**  
Washbasin trap DN 40 with Ø 17-23 co-  
nnector and G 5/4" union nut



Quantity (packing) 25 pcs  
Quantity (pallet) 700 pcs  
Material polypropylene

**A430P**  
Washbasin trap DN 32 with Ø 17-23 co-  
nnector and G 5/4" union nut

**A43S-DN32** new  
Washbasin furniture trap DN 32 with  
G 5/4" union nut



Quantity (packing) 25 pcs  
Quantity (pallet) 700 pcs  
Material polypropylene

**A43S-DN40**  
Washbasin furniture trap DN 40 with  
G 5/4" union nut

**A43SD-DN32** new  
Wash-basin furniture trap DN 32 with  
union nut 5/4", double washbasin



Quantity (packing) 12 pcs  
Quantity (pallet) 336 pcs  
Material polypropylene

**A434**  
Washbasin trap DN 40 space-saving with  
G 5/4" union nut



Quantity (packing) - pcs  
Quantity (pallet) - pcs  
Material polypropylene

**A434-DN32**  
Washbasin trap DN 32 space-saving with  
G 5/4" union nut

**A80-DN32**  
Tubular washbasin trap DN 32 with G 5/4"  
union nut



Quantity (packing) 15 pcs  
Quantity (pallet) 420 pcs  
Material polypropylene

**P066-ND**  
Replacement seal set for washbasin traps



Quantity (packing) -  
Quantity (pallet) -  
Material rubber

**A31**  
Washbasin waste G 5/4" with stainless  
steel grid Ø 62 mm, rubber plug



Quantity (packing) 100 pcs  
Quantity (pallet) 2800 pcs  
Material polypropylene

**A32**  
Washbasin waste G 5/4" with plastic grid  
Ø 62 mm, rubber plug



Quantity (packing) 100 pcs  
Quantity (pallet) 2800 pcs  
Material polypropylene

**A439**  
Washbasin waste G 5/4" metal, rubber  
plug



Quantity (packing) 40 pcs  
Quantity (pallet) 640 pcs  
Material stainless steel

**A750+A31**  
Flexi pipe G 5/4" × DN 32/40, plastic +  
Washbasin waste G 5/4" with stainless  
steel grid Ø 62 mm, rubber plug



Quantity (packing) 60 pcs  
Quantity (pallet) 960 pcs  
Material polypropylene

**A391**  
Washbasin waste CLICK/CLACK G 5/4"  
with overflow, small plug, metal, chrome-  
-polished



Quantity (packing) 40 pcs  
Quantity (pallet) 1280 pcs  
Material metal with chrome finish

**A392C**  
Washbasin waste CLICK/CLACK G 5/4"  
with overflow, large plug, metal, chrome-  
-polished



Quantity (packing) 30 pcs  
Quantity (pallet) 960 pcs  
Material metal with chrome finish

**A392B**  
Washbasin waste CLICK/CLACK G 5/4"  
with overflow, large plug, metal, white-  
-polished



Quantity (packing) 30 pcs  
Quantity (pallet) 960 pcs  
Material metal with white-polished finish

**A392BLACK**  
Washbasin waste CLICK/CLACK G 5/4"  
with overflow, large plug, metal, black-  
-matt



Quantity (packing) 30 pcs  
Quantity (pallet) 960 pcs  
Material metal with black-matt finish

**A392-G-B**  
Washbasin waste CLICK/CLACK G 5/4" with overflow, large plug, metal, GOLD-brushed matt



Quantity (packing) 30 pcs  
Quantity (pallet) 960 pcs  
Material metal with PVD finish

**A392-RG-B**  
Washbasin waste CLICK/CLACK G 5/4" with overflow, large plug, metal, RED GOLD-brushed matt



Quantity (packing) 30 pcs  
Quantity (pallet) 960 pcs  
Material metal with PVD finish

**A392-N-B**  
Washbasin waste CLICK/CLACK G 5/4" with overflow, large plug, metal, NICKEL-brushed matt



Quantity (packing) 30 pcs  
Quantity (pallet) 960 pcs  
Material metal with PVD finish

**A390**  
Washbasin waste CLICK/CLACK G 5/4" with overflow, large plug, metal, chrome-polished



Quantity (packing) 40 pcs  
Quantity (pallet) 1120 pcs  
Material metal with chrome finish

**A396**  
Washbasin waste G 5/4" for basins without overflow, large non-closing plug, metal, chrome-polished



Quantity (packing) 30 pcs  
Quantity (pallet) 840 pcs  
Material metal with chrome finish

**A396SN**  
Washbasin waste G 5/4" lowered, for basins without overflow, large non-closing plug, metal, chrome-polished



Quantity (packing) 30 pcs  
Quantity (pallet) 840 pcs  
Material metal with chrome finish

**A392-GM-B**  
Washbasin waste CLICK/CLACK G 5/4" with overflow, large plug, metal, GUN METAL-brushed matt



Quantity (packing) 30 pcs  
Quantity (pallet) 960 pcs  
Material metal with PVD finish

**A393**  
Washbasin waste CLICK/CLACK G 5/4" with overflow, square plug, metal, chrome-polished



Quantity (packing) 30 pcs  
Quantity (pallet) 840 pcs  
Material metal with chrome finish

**A394**  
Washbasin waste CLICK/CLACK G 5/4" without overflow, small plug, metal, chrome-polished



Quantity (packing) 40 pcs  
Quantity (pallet) 1120 pcs  
Material metal with chrome finish

**A396BLACK**  
Washbasin waste G 5/4", for basins without overflow, large non-closing plug, metal, black-matt



Quantity (packing) 30 pcs  
Quantity (pallet) 840 pcs  
Material metal with black-matt finish

**A396B**  
Washbasin waste G 5/4", for basins without overflow, large non-closing plug, metal, white-polished



Quantity (packing) 30 pcs  
Quantity (pallet) 840 pcs  
Material metal with white-polished finish

**A328B**  
Washbasin overflow for basins without integrated overflow, white



Quantity (packing) 70 pcs  
Quantity (pallet) 1120 pcs  
Material – body/cap polypropylene/plastic

**A395**  
Washbasin waste CLICK/CLACK G 5/4" without overflow, large plug, metal, chrome-polished



Quantity (packing) 30 pcs  
Quantity (pallet) 840 pcs  
Material metal with chrome finish

**A395B**  
Washbasin waste CLICK/CLACK G 5/4" without overflow, large plug, metal, white-polished



Quantity (packing) 30 pcs  
Quantity (pallet) 840 pcs  
Material metal with white-polished finish

**A39**  
Washbasin waste CLICK/CLACK G 5/4" with overflow, small plug, metal, chrome-polished



Quantity (packing) 40 pcs  
Quantity (pallet) 1120 pcs  
Material metal with chrome finish

**A328CR**  
Washbasin overflow for basins without integrated overflow, chrome



Quantity (packing) 70 pcs  
Quantity (pallet) 1120 pcs  
Material – body/cap polypropylene/chrome-plated plastic

**ARV001**  
Angle valve with filter 1/2" x 3/8", round, chrome-polished



Quantity (packing) 60 pcs  
Quantity (pallet) 1680 pcs  
Material metal with chrome finish

**ARV001-BLACK**  
Angle valve 1/2" x 3/8", square, chrome-polished



**ARV003-BLACK**  
Angle valve with filter 1/2" x 1/2", round, black-matt

**ARV001B**  
Angle valve with filter 1/2" x 3/8", round, white-polished



**ARV003B**  
Angle valve with filter 1/2" x 1/2", round, white-polished

Quantity (packing) 72 pcs  
Quantity (pallet) 1680 pcs  
Material metal with white-polished finish

**A400BLACK**  
Washbasin trap DN 32 DESIGN, round, metal, black-matt



Quantity (packing) 12 pcs  
Quantity (pallet) 336 pcs  
Material chrome-plated brass with black-matt finish

**A400B**  
Washbasin trap DN 32 DESIGN, round, metal, white-polished



Quantity (packing) 12 pcs  
Quantity (pallet) 336 pcs  
Material chrom-plated brass with white-polished finish

**A400-G-B**  
Washbasin trap DN 32 DESIGN, round, metal, GOLD-brushed matt



Quantity (packing) 12 pcs  
Quantity (pallet) 336 pcs  
Material brass with PVD finish

**ARV001-G-B**  
Angle valve with filter 1/2" x 3/8", round, GOLD-brushed matt



Quantity (packing) 60 pcs  
Quantity (pallet) 1680 pcs  
Material metal with PVD finish

**ARV001-RG-B**  
Angle valve with filter 1/2" x 3/8", round, bronze-antic



Quantity (packing) 60 pcs  
Quantity (pallet) 1680 pcs  
Material metal with PVD finish

**ARV001-N-B**  
Angle valve with filter 1/2" x 3/8", round, RED GOLD-brushed matt



Quantity (packing) 60 pcs  
Quantity (pallet) 1680 pcs  
Material metal with PVD finish

**A400-RG-B**  
Washbasin trap DN 32 DESIGN, round, metal, RED GOLD-brushed matt



Quantity (packing) 12 pcs  
Quantity (pallet) 336 pcs  
Material brass with PVD finish

**A400-N-B**  
Washbasin trap DN 32 DESIGN, round, metal, NICKEL-brushed matt



Quantity (packing) 12 pcs  
Quantity (pallet) 336 pcs  
Material brass with PVD finish

**A400-GM-B**  
Washbasin trap DN 32 DESIGN, round, metal, GUN METAL-brushed matt



Quantity (packing) 12 pcs  
Quantity (pallet) 336 pcs  
Material brass with PVD finish

**ARV001-GM-B**  
Angle valve with filter 1/2" x 3/8", round, NICKEL-brushed matt



Quantity (packing) 60 pcs  
Quantity (pallet) 1680 pcs  
Material metal with PVD finish

**ARV002**  
Angle valve 1/2" x 3/8", square, chrome-polished



**ARV004**  
Angle valve 1/2" x 1/2", square, chrome-polished

**A400**  
Washbasin trap DN 32 DESIGN, round, metal, chrome-polished



Quantity (packing) 12 pcs  
Quantity (pallet) 336 pcs  
Material chrome-plated brass

**A401**  
Washbasin trap DN 32 DESIGN, square, metal, chrome-polished



Quantity (packing) 12 pcs  
Quantity (pallet) 336 pcs  
Material chrome-plated brass

**A402**  
Washbasin trap DN 32 DESIGN, solid, metal, chrome-polished



Quantity (packing) 7 pcs  
Quantity (pallet) 252 pcs  
Material chrome-plated brass

**A403**  
Washbasin trap DN 32 DESIGN, space-saving, metal, chrome-polished



Quantity (packing) 10 pcs  
Quantity (pallet) 160 pcs  
Material chrome-plated brass

**A431**  
Washbasin trap DN 32 with G 5/4" union nut, metal, chrome-polished



Quantity (packing) 20 pcs  
Quantity (pallet) 560 pcs  
Material chrome-plated brass

**A437**  
Washbasin trap DN 32 with G 5/4" waste, rubber plug, metal, chrome-polished



Quantity (packing) 20 pcs  
Quantity (pallet) 560 pcs  
Material chrome-plated brass

**A432**  
Tubular washbasin trap DN 32 with G 5/4" union nut, metal, chrome-polished



Quantity (packing) 25 pcs  
Quantity (pallet) 700 pcs  
Material chrome-plated brass

**A4320**  
Tubular washbasin trap DN 32 with G 5/4" union nut, extended, metal, chrome-polished



Quantity (packing) 20 pcs  
Quantity (pallet) 560 pcs  
Material chrome-plated brass

**A4320BLACK**  
Tubular washbasin trap DN 32 with G 5/4" union nut, metal, black-matt



Quantity (packing) 20 pcs  
Quantity (pallet) 320 pcs  
Material chrome-plated brass with black-matt finish

**A438**  
Metal elbow for concealed trap DN 32 with G 5/4" union nut



Quantity (packing) 15 pcs  
Quantity (pallet) 420 pcs  
Material chrome-plated metal

**A4000**  
Extension piece for metal washbasin traps DN 32, length 150 mm, metal, chrome-polished



Quantity (packing) 50 pcs  
Quantity (pallet) 1400 pcs  
Material chrome-plated brass

**A4000BLACK**  
Extension piece for metal washbasin traps DN 32, length 150 mm, metal, black-matt



Quantity (packing) 50 pcs  
Quantity (pallet) 1400 pcs  
Material chrome-plated brass with black-matt finish

**A4000B**  
Extension piece for metal washbasin traps DN 32, length 150 mm, metal, white-polished



Quantity (packing) 15 pcs  
Quantity (pallet) 420 pcs  
Material chrom-plated brass with white-polished finish

**A31P**  
Sink waste G 6/4" with Ø 17-23 mm connector, stainless steel grid Ø 62 mm, rubber plug



Quantity (packing) 75 pcs  
Quantity (pallet) 2100 pcs  
Material polypropylene

**A441-DN50/40**  
Sink waste and trap DN 40/50 with stainless steel grid Ø 70 mm, rubber plug



Quantity (packing) 25 pcs  
Quantity (pallet) 700 pcs  
Material polypropylene

**A441P-DN50/40**  
Sink waste and trap DN 40/50 with Ø 17-23 mm connector and stainless steel grid Ø 70 mm, rubber plug



Quantity (packing) 20 pcs  
Quantity (pallet) 560 pcs  
Material polypropylene

**A442-DN50/40**  
Sink waste and trap DN 40/50 with plastic grid Ø 70 mm, rubber plug



Quantity (packing) 25 pcs  
Quantity (pallet) 700 pcs  
Material polypropylene

**A442P-DN50/40**  
Sink waste and trap DN 40/50 with Ø 17-23 mm connector and plastic grid Ø 70 mm, rubber plug



Quantity (packing) 20 pcs  
Quantity (pallet) 560 pcs  
Material polypropylene

**A444-DN50/40**  
Sink waste and trap DN 40/50 with stainless steel grid Ø 70 mm and flexible overflow, rubber plug



Quantity (packing) 15 pcs  
Quantity (pallet) 420 pcs  
Material polypropylene

**A444P-DN50/40**  
Sink waste and trap DN 40/50 with Ø 17-23 mm connector, stainless steel grid Ø 70 mm and flexible overflow, rubber plug



Quantity (packing) 15 pcs  
Quantity (pallet) 420 pcs  
Material polypropylene

**A446-DN50/40**  
Sink waste and trap DN 40/50 with stainless steel grid Ø 115 mm



Quantity (packing) 15 pcs  
Quantity (pallet) 420 pcs  
Material polypropylene

**A446P-DN50/40**  
Sink waste and trap DN 40/50 with Ø 17-23 connector and stainless steel grid Ø 115



Quantity (packing) 15 pcs  
Quantity (pallet) 420 pcs  
Material polypropylene

**A447-DN50/40**

Sink waste and trap DN 40/50 with stainless steel grid Ø 115 mm and flexible overflow



Quantity (packing)	15 pcs
Quantity (pallet)	420 pcs
Material	polypropylene

**A447P-DN50/40**

Sink waste and trap DN 40/50 with Ø 17-23 mm connector, stainless steel grid Ø 115 mm and flexible overflow



Quantity (packing)	14 pcs
Quantity (pallet)	392 pcs
Material	polypropylene

**A449-DN50/40**

Double-sink waste and trap DN 40/50 with stainless steel grids Ø 70 mm, rubber plug



Quantity (packing)	10 pcs
Quantity (pallet)	280 pcs
Material	polypropylene

**A820-DN40**

Tubular sink waste and trap DN 40 with stainless steel grid Ø 70 mm and two Ø 17-23 mm connectors, rubber plug



Quantity (packing)	20 pcs
Quantity (pallet)	320 pcs
Material	polypropylene

**A830-DN50/40**

Tubular sink waste and trap DN 50/40 with Ø 17-23 mm connector, stainless steel grid Ø 70 mm and flexible hose, rubber plug



Quantity (packing)	10 pcs
Quantity (pallet)	280 pcs
Material	polypropylene

**A840-DN50/40**

Tubular sink waste and trap DN 50/40 with stainless steel grid Ø 70 mm, two Ø 17-23 mm connectors and flexible hose, rubber plug



Quantity (packing)	10 pcs
Quantity (pallet)	280 pcs
Material	polypropylene

**A449P-DN50/40**

Double-sink waste and trap DN 40/50 with Ø 17-23 mm connector, stainless steel grids Ø 70 mm, rubber plug



Quantity (packing)	10 pcs
Quantity (pallet)	280 pcs
Material	polypropylene

**A453P**

Double-sink waste and trap DN 40/50 with Ø 17-23 mm connector and stainless steel grids Ø 115



Quantity (packing)	10 pcs
Quantity (pallet)	160 pcs
Material	polypropylene

**A454P**

Double-sink waste and trap DN 40/50 two-level, with Ø 17-23 mm connector and stainless steel grids Ø 115 mm



Quantity (packing)	12 pcs
Quantity (pallet)	192 pcs
Material	polypropylene

**A870P-DN40**

Sink waste and trap DN 40 space-saving with Ø 17-23 mm connector and stainless steel grid Ø 70 mm, rubber plug



Quantity (packing)	20 pcs
Quantity (pallet)	320 pcs
Material	polypropylene

**A464-DN50**

Sink waste and trap DN 50 with stainless steel grid Ø 80 mm, rubber plug



Quantity (packing)	25 pcs
Quantity (pallet)	400 pcs
Material	polypropylene

**A8000**

Double-sink waste and trap DN 40/50 universal, with two Ø 17-23 mm connectors, stainless steel grids Ø 70 mm and Ø 115 mm, rubber plug



Quantity (packing)	5 pcs
Quantity (pallet)	80 pcs
Material	polypropylene

**A456P**

Double-sink waste and trap DN 40/50 two-level, with Ø 17-23 mm connector, stainless steel grids Ø 115 mm and flexible overflow



Quantity (packing)	8 pcs
Quantity (pallet)	128 pcs
Material	polypropylene

**A800-DN40**

Tubular sink waste and trap DN 40 with stainless steel grid Ø 70 mm, rubber plug



Quantity (packing)	15 pcs
Quantity (pallet)	420 pcs
Material	polypropylene

**A800-DN50**

Tubular sink waste and trap DN 50 with stainless steel grid Ø 70 mm, rubber plug



**A810-DN40**

Tubular sink waste and trap DN 40 with stainless steel grid Ø 70 mm and Ø 17-23 mm connector, rubber plug



Quantity (packing)	15 pcs
Quantity (pallet)	420 pcs
Material	polypropylene

**A810-DN50**

Tubular sink waste and trap DN 50 with stainless steel grid Ø 70 mm and Ø 17-23 mm connector, rubber plug

**P067-ND**

Replacement seal set for sink traps



Quantity (packing)	-
Quantity (pallet)	-
Material	rubber

**P046**

Tube with rosette DN 40 for plastic wastes and traps



Quantity (packing)	50 pcs
Quantity (pallet)	1400 pcs
Material	PVC

**P047**

Tube with rosette DN 50 for plastic wastes and traps



Quantity (packing)	40 pcs
Quantity (pallet)	1120 pcs
Material	PVC

**P109**  
Space-saving connection G 6/4" x G 6/4" for sink wastes and traps



Quantity (packing) 25 pcs  
Quantity (pallet) 400 pcs  
Material polypropylene

**A443-DN50/40**  
Sink waste and trap DN 40/50 with G 6/4" union nut



Quantity (packing) 25 pcs  
Quantity (pallet) 700 pcs  
Material polypropylene

**A443P-DN50/40**  
Sink waste and trap DN 40/50 with G 6/4" union nut and Ø 17-23 mm connector



Quantity (packing) 25 pcs  
Quantity (pallet) 700 pcs  
Material polypropylene

**A81-DN40**  
Tubular sink waste and trap DN 40 with Ø 17-23 mm connector and G 6/4" union nut



Quantity (packing) 15 pcs  
Quantity (pallet) 420 pcs  
Material polypropylene

**A81-DN50**  
Tubular sink waste and trap DN 50 with Ø 17-23 mm connector and G 6/4" union nut



Quantity (packing) 15 pcs  
Quantity (pallet) 420 pcs  
Material polypropylene

**A82-DN40**  
Tubular sink waste and trap DN 40 with two Ø 17-23 mm connectors and G 6/4" union nut



Quantity (packing) 20 pcs  
Quantity (pallet) 320 pcs  
Material polypropylene

**A82-DN50**  
Tubular sink waste and trap DN 50 with two Ø 17-23 mm connectors and G 6/4" union nut



Quantity (packing) 20 pcs  
Quantity (pallet) 320 pcs  
Material polypropylene

**A83-DN50/40**  
Tubular sink waste and trap DN 50/40 with Ø 17-23 mm connector, G 6/4" union nut and flexible hose

**A448-DN50/40**  
Double-sink waste and trap DN 40/50 with G 6/4" union nuts



Quantity (packing) 10 pcs  
Quantity (pallet) 280 pcs  
Material polypropylene

**A448P-DN50/40**  
Double-sink waste and trap DN 40/50 with Ø 17-23 mm connector and G 6/4" union nuts



Quantity (packing) 10 pcs  
Quantity (pallet) 280 pcs  
Material polypropylene

**A80-DN40 / A80-DN50**  
Tubular sink waste and trap DN 40 with G 6/4" union nut



Quantity (packing) 15 pcs  
Quantity (pallet) 420 pcs  
Material polypropylene

**A84-DN50/40**  
Tubular sink waste and trap DN 50/40 with two Ø 17-23 mm connectors, G 6/4" union nut and flexible hose



Quantity (packing) 10 pcs  
Quantity (pallet) 280 pcs  
Material polypropylene

**A872P**  
Sink waste and trap DN 40 space-saving with Ø 17-23 mm connector and G 6/4" union nut



Quantity (packing) 20 pcs  
Quantity (pallet) 320 pcs  
Material polypropylene

**A873**  
Universal sink waste and trap DN 40/50 for concealed installation, space-saving, with G 6/4" / G 5/4" union nut



Quantity (packing) 10 pcs  
Quantity (pallet) 280 pcs  
Material polypropylene

**A80-DN50/40**  
Tubular sink waste and trap DN 50/40 with G 6/4" union nut and flexible hose



Quantity (packing) 10 pcs  
Quantity (pallet) 280 pcs  
Material polypropylene

**A80V-DN40** new FROM I.L.Q.  
Pipe trap with coupling nut G 6/4" x DN 40



Quantity (packing) 20 pcs  
Quantity (pallet) 560 pcs  
Material polypropylene

**A80V-DN50** new FROM I.L.Q.  
Pipe trap with coupling nut G 6/4" x DN 50

**A81V-DN40** new FROM I.L.Q.  
Pipe trap with coupling nut G 6/4" x DN 40 and connector



Quantity (packing) 20 pcs  
Quantity (pallet) 560 pcs  
Material polypropylene

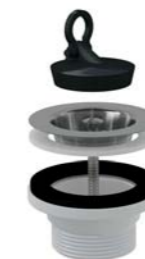
**A81V-DN50** new FROM I.L.Q.  
Pipe trap with coupling nut G 6/4" x DN 50 and connector

**A770+A33**  
Flexible connection G 6/4" x DN 40/50 plastic + Sink waste G 6/4" with stainless steel grid Ø 70 mm, rubber plug



Quantity (packing) 50 pcs  
Quantity (pallet) 800 pcs  
Material polypropylene

**A33**  
Sink waste G 6/4" with stainless steel grid Ø 70 mm, rubber plug



Quantity (packing) 100 pcs  
Quantity (pallet) 2800 pcs  
Material polypropylene

**A33P**  
Sink waste G 6/4" with Ø 17-23 mm connector and stainless steel grid Ø 70 mm, rubber plug



Quantity (packing) 75 pcs  
Quantity (pallet) 2100 pcs  
Material polypropylene

**A331**

Sink waste G 6/4" with stainless steel grid Ø 70 mm and flexible overflow, rubber plug



Quantity (packing)	40 pcs
Quantity (pallet)	1120 pcs
Material	polypropylene

**A34**

Sink waste G 6/4" raised, with stainless steel grid Ø 70 mm, rubber plug



Quantity (packing)	100 pcs
Quantity (pallet)	2800 pcs
Material	polypropylene

**A37**

Sink waste G 6/4" with stainless steel grid Ø 115 mm



Quantity (packing)	50 pcs
Quantity (pallet)	1400 pcs
Material	polypropylene

**A38**

Sink waste G 6/4" with stainless steel grid Ø 115 and flexible overflow



Quantity (packing)	25 pcs
Quantity (pallet)	700 pcs
Material	polypropylene

**A30**

Pipe adapter for trap G 6/4" x G 6/4" with Ø 17-23 mm connector, plastic



Quantity (packing)	75 pcs
Quantity (pallet)	2100 pcs
Material	polypropylene

**A44MN-DN40**

Pipe adapter for trap DN 40 with G 6/4" union nut, length 265 mm, plastic



Quantity (packing)	25 pcs
Quantity (pallet)	400 pcs
Material	polypropylene

**A44MS-DN40**

Pipe adapter for trap DN 40 with G 6/4" union nut and Ø 17-23 mm connector, length 265 mm, plastic



Quantity (packing)	40 pcs
Quantity (pallet)	1120 pcs
Material	polypropylene

**A44MS-DN32**

Adapter pipe with coupling nut 5/4" and connector



Quantity (packing)	50 pcs
Quantity (pallet)	800 pcs
Material	polypropylene

**A44M-DN40**

Pipe adapter for trap DN 40 with G 6/4" union nut and two Ø 17-23 mm connectors, length 265, plastic



Quantity (packing)	25 pcs
Quantity (pallet)	700 pcs
Material	polypropylene

**P212-DN40**

Extension piece for plastic traps DN 40, length 265 mm, plastic, white-polished



Quantity (packing)	100 pcs
Quantity (pallet)	1600 pcs
Material	polypropylene

new

**A300**

Pipe adapter for trap with double-sided combined threads G 6/4" / G 5/4" and Ø 17-23 connector, plastic



Quantity (packing)	60 pcs
Quantity (pallet)	1680 pcs
Material	polypropylene

**S0556-ND**

Reducer for trap G 5/4" x G 6/4", plastic



Quantity (packing)	100 pcs
Quantity (pallet)	3200 pcs
Material	polypropylene

**S0506-ND**

Reducer for trap G 6/4" x G 5/4", plastic



Quantity (packing)	100 pcs
Quantity (pallet)	3200 pcs
Material	polypropylene

**S0507-ND**

Reducer for trap G 5/4" x G 6/4", plastic



Quantity (packing)	100 pcs
Quantity (pallet)	3200 pcs
Material	polypropylene

**P0048-ND**

Connector G 1" x Ø 17-23 mm for connecting washing machine or dishwasher to trap



Quantity (packing)	100 pcs
Quantity (pallet)	1600 pcs
Material	polypropylene

**P0049-ND**

Connector G 1" x Ø 8-16 mm for connecting dryer to trap



Quantity (packing)	100 pcs
Quantity (pallet)	1600 pcs
Material	polypropylene

**P148**

Double connector G 1" x Ø 17-23 mm for connecting washing machine and dishwasher to trap



Quantity (packing)	70 pcs
Quantity (pallet)	1960 pcs
Material	polypropylene

**P155Z-G1**

Double connector G 1" x Ø 17-23 mm for connecting washing machine and dishwasher to trap, with non-return valves



Quantity (packing)	70 pcs
Quantity (pallet)	1960 pcs
Material	polypropylene

**P156Z-G1**

Double connector G 1" x Ø 8–23 mm for connecting washing machine and dryer to trap, with non-return valves

new



Quantity (packing)	70 pcs
Quantity (pallet)	1960 pcs
Material	polypropylene

**P155Z**

Double connector DN 40/32 x Ø 17–23 mm for connecting washing machine and dishwasher to trap, with non-return valves



Quantity (packing)	50 pcs
Quantity (pallet)	800 pcs
Material	polypropylene

**P156Z**

Double connector DN 40/32 x Ø 8–23 mm for connecting washing machine and dryer to trap, with non-return valves



Quantity (packing)	50 pcs
Quantity (pallet)	800 pcs
Material	polypropylene

**S1606-ND**

Rubber pipe sealing 63/40



Quantity (packing)	1 pcs
Quantity (pallet)	–
Material	rubber

**Z0026-ND**

Rubber reducing insert Ø 60/32 mm



Quantity (packing)	1 pcs
Quantity (pallet)	–
Material	rubber

**A22**

Rosette DN 33 – washbasin overflow cover, plastic, chrome-polished



Quantity (packing)	200 pcs
Quantity (pallet)	5600 pcs
Material	chrome-plated plastic

**P066-ND**

Replacement seal set for washbasin traps



Quantity (packing)	1 pcs
Quantity (pallet)	–
Material	rubber

**P067-ND**

Replacement seal set for sink traps



Quantity (packing)	1 pcs
Quantity (pallet)	–
Material	rubber

**S0156-ND**

Rubber reducing insert Ø 50/40 mm



Quantity (packing)	1 pcs
Quantity (pallet)	–
Material	rubber

**A21**

Rosette DN 35 – washbasin overflow cover, plastic, chrome-polished



Quantity (packing)	200 pcs
Quantity (pallet)	5600 pcs
Material	chrome-plated plastic

**A45A**

Urinal trap DN 40 with Ø 55 mm gasket, plastic



Quantity (packing)	25 pcs
Quantity (pallet)	700 pcs
Material	polypropylene

**A45B**

Urinal trap DN 40 horizontal with rubber reducing insert Ø 50, plastic



Quantity (packing)	25 pcs
Quantity (pallet)	700 pcs
Material	polypropylene

**S0688-ND**

Rubber reducing insert Ø 36/10 mm



Quantity (packing)	1 pcs
Quantity (pallet)	–
Material	rubber

**Z0003-ND**

Rubber reducing insert Ø 40/32 mm



Quantity (packing)	1 pcs
Quantity (pallet)	–
Material	rubber

**Z0004-ND**

Rubber reducing insert Ø 50/32 mm



Quantity (packing)	1 pcs
Quantity (pallet)	–
Material	rubber

**A45C**

Urinal trap DN 40/50 vertical with rubber reducing insert Ø 50, plastic



Quantity (packing)	25 pcs
Quantity (pallet)	700 pcs
Material	polypropylene

**A438**

Metal elbow for concealed trap DN 32 with G 5/4" union nut



Quantity (packing)	15 pcs
Quantity (pallet)	420 pcs
Material	chrome-plated metal

**A45E**

Tubular bidet trap DN 32 extended with G 5/4" union nut, metal, chrome-polished



Quantity (packing)	25 pcs
Quantity (pallet)	700 pcs
Material	chrome-plated metal

**A45F-DN32**

Washbasin and bidet trap DN 32 with G 5/4" union nut, plastic

**A45F-DN40**

Washbasin and bidet trap DN 40 with G 5/4" union nut, plastic



Quantity (packing)	25 pcs
Quantity (pallet)	700 pcs
Material	polypropylene

**A45G**

Tubular bidet trap DN 32 with G 5/4" union nut, metal, chrome-polished



Quantity (packing)	25 pcs
Quantity (pallet)	800 pcs
Material	chrome-plated metal

**ATS001**

Urinal pressure flush valve



Quantity (packing)	20 pcs
Quantity (pallet)	560 pcs
Material	chrome-plated metal

**AKS6**

HT 40/50 x G 1/2" connection reducer for traps for dripping condensate



Quantity (packing)	100 pcs
Quantity (pallet)	2800 pcs
Material	polypropylene

**AKS7**

Concealed trap for dripping condensate DN 40/50 with Ø 17-23 mm connector, stainless steel



Quantity (packing)	25 pcs
Quantity (pallet)	400 pcs
Material	polypropylene

**AKS8-DN40**

Tubular funnel trap for dripping condensate DN 40

**AKS8-DN50**

Tubular funnel trap for dripping condensate DN 50



Quantity (packing)	20 pcs
Quantity (pallet)	320 pcs
Material	polypropylene

**AKS1**

Funnel trap DN 32 for dripping condensate



Quantity (packing)	70 pcs
Quantity (pallet)	1120 pcs
Material	polypropylene

**AKS1Z**

Funnel trap DN 32 for dripping condensate, with ball-type dry odour trap



Quantity (packing)	70 pcs
Quantity (pallet)	1120 pcs
Material	polypropylene

**AKS2**

Tubular trap for dripping condensate DN 40, rubber reducing insert 10-32 mm



Quantity (packing)	15 pcs
Quantity (pallet)	420 pcs
Material	polypropylene

**APS1**

External trap for washing machine or dishwasher, DN 32, chrome



Quantity (packing)	100 pcs
Quantity (pallet)	2800 pcs
Material	chrome-plated ABS

**APS2**

External trap for washing machine or dishwasher, DN 32, white



Quantity (packing)	100 pcs
Quantity (pallet)	2800 pcs
Material	ABS

**APS3**

Concealed trap for washing machine or dishwasher, DN 40/50, stainless steel



Quantity (packing)	40 pcs
Quantity (pallet)	1120 pcs
Material	polypropylene

**AKS3**

Tubular trap for dripping condensate DN 40 with G 6/4" / G 5/4" union nut



Quantity (packing)	15 pcs
Quantity (pallet)	420 pcs
Material	polypropylene

**AKS4**

Concealed trap for dripping condensate DN 40/50, stainless steel



Quantity (packing)	25 pcs
Quantity (pallet)	400 pcs
Material	polypropylene

**AKS5**

Funnel trap DN 32 for dripping condensate, with ball-type dry trap seal and hose holder



Quantity (packing)	60 pcs
Quantity (pallet)	960 pcs
Material	polypropylene

**APS3P**

Concealed trap for washing machine or dishwasher with air-admittance valve, DN 40/50, stainless steel



Quantity (packing)	25 pcs
Quantity (pallet)	400 pcs
Material	polypropylene

**APS4**

Concealed trap for washing machine or dishwasher, DN 40/50, white



Quantity (packing)	40 pcs
Quantity (pallet)	1120 pcs
Material	polypropylene

**APS5**

External trap for washing machine or dishwasher with air-admittance valve, DN 32, white



Quantity (packing)	100 pcs
Quantity (pallet)	1600 pcs
Material	ABS

**APS6**

Concealed trap for washing machine and dryer, DN 50/40, stainless steel



Quantity (packing)	18 pcs
Quantity (pallet)	288 pcs
Material	polypropylene

**APS7-DN40**

Tubular trap for washing machine or dishwasher with Ø 17–23 mm connector, DN 40



Quantity (packing)	15 pcs
Quantity (pallet)	420 pcs
Material	polypropylene

**APS7-DN50**

Tubular trap for washing machine or dishwasher with Ø 17–23 mm connector, DN 50

**P210**

Extension for concealed washing machine trap G 1" x G 1"



Quantity (packing)	100 pcs
Quantity (pallet)	1600 pcs
Material	polypropylene

**APS6V**

Concealed washing machine trap with water inlet, stainless steel, DN 40 and DN 50



Quantity (packing)	18 pcs
Quantity (pallet)	288 pcs
Material	polypropylene

**P148**

Double connector G 1" x Ø 17–23 mm for connecting washing machine and dishwasher to trap



Quantity (packing)	70 pcs
Quantity (pallet)	1960 pcs
Material	polypropylene

**P155Z**

Double connector DN 40/32 x Ø 17–23 mm for connecting washing machine and dishwasher to trap, with non-return valves



Quantity (packing)	50 pcs
Quantity (pallet)	800 pcs
Material	polypropylene

**P156Z**

Double connector DN 40/32 x Ø 8–23 mm for connecting washing machine and dryer to trap, with non-return valves



Quantity (packing)	50 pcs
Quantity (pallet)	800 pcs
Material	polypropylene

**P157Z**

Double connector DN 40/32 x Ø 8–16 mm for connecting two appliances to trap, with non-return valves



Quantity (packing)	50 pcs
Quantity (pallet)	1400 pcs
Material	polypropylene



# Space-saving furniture trap

The innovative design saves space in your washbasin cabinet. The trap shape is designed to provide maximum space under the washbasin. Despite its compact design, our trap has high flow rate. The water drains quickly, thus ensuring cleanliness and hygiene.



**A43S-DN32**  
Washbasin furniture trap  
DN 32 with G 5/4" union nut

## Benefits

-  Especially suitable for cabinets under the washbasin
-  Connection to waste pipe DN 40 and DN 32 mm
-  Flow rate up to 34 l/min
-  Odour trap 50 mm
-  Union nut G 5/4"
-  Adjustable, adjustable height
-  Easy to clean

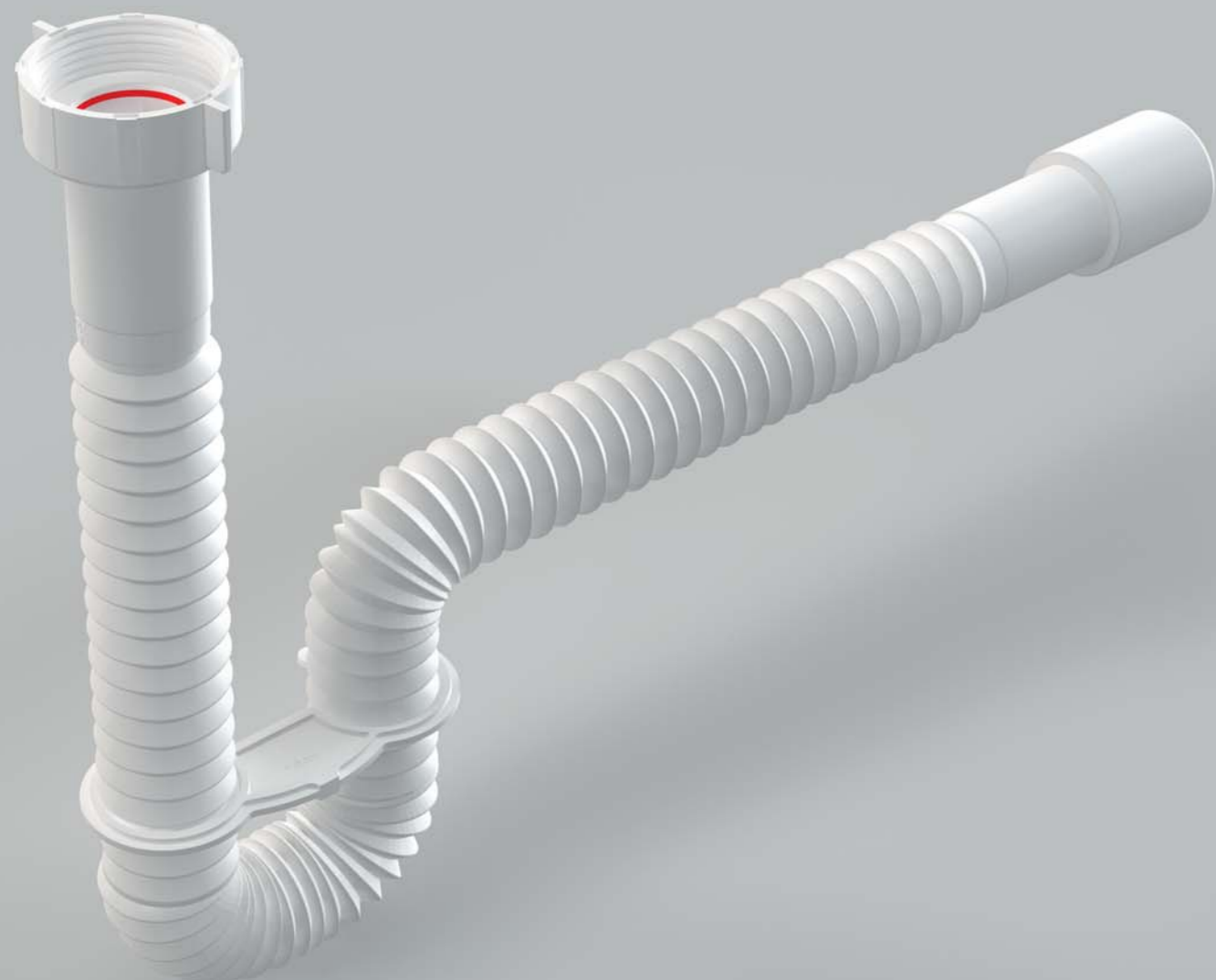
## Variant for double sink



**A43SD-DN32**  
Wash-basin furniture trap  
DN 32 with union nut 5/4",  
double washbasin

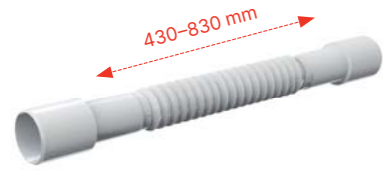
# Flexi pipes

Flexi pipes	198
Flexi pipes - accessories	199



VIDEO

**A794**  
Flexi pipe 40–32×32–40



Quantity (packing)	110 pcs
Quantity (pallet)	1760 pcs
Material	polypropylene

**A710**  
Flexi pipe 40×40



Quantity (packing)	130 pcs
Quantity (pallet)	2080 pcs
Material	polypropylene

**A720**  
Flexi pipe 50/40×40/50



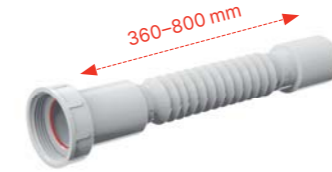
Quantity (packing)	70 pcs
Quantity (pallet)	1120 pcs
Material	polypropylene

**A780**  
Flexi pipe 6/4"×40/50 metal



Quantity (packing)	90 pcs
Quantity (pallet)	1440 pcs
Material	polypropylene

**A791**  
Flexi pipe 6/4"×40 plastic



Quantity (packing)	110 pcs
Quantity (pallet)	1760 pcs
Material	polypropylene

**A792**  
Flexi pipe 6/4"×40 metal



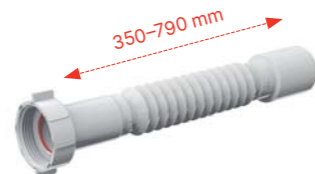
Quantity (packing)	110 pcs
Quantity (pallet)	1760 pcs
Material	polypropylene

**A795**  
Flexi pipe 50/40×40



Quantity (packing)	120 pcs
Quantity (pallet)	1920 pcs
Material	polypropylene

**A730**  
Flexi pipe 5/4"×40 plastic



Quantity (packing)	120 pcs
Quantity (pallet)	1920 pcs
Material	polypropylene

**A740**  
Flexi pipe 5/4"×40 metal



Quantity (packing)	120 pcs
Quantity (pallet)	1920 pcs
Material	polypropylene

**A793**  
Flexi pipe 6/4" with reduction to 5/4"×50/40 plastic



Quantity (packing)	80 pcs
Quantity (pallet)	1280 pcs
Material	polypropylene

**A7990**  
Two-component seal 5/4" (10 pcs)



Quantity (packing)	10 pcs
Quantity (pallet)	–
Material	elastomer

**A7991**  
Two-component seal 6/4" (10 pcs)



Quantity (packing)	10 pcs
Quantity (pallet)	–
Material	elastomer

**A750**  
Flexi pipe 5/4"×32/40 plastic



Quantity (packing)	120 pcs
Quantity (pallet)	1920 pcs
Material	polypropylene

**A760**  
Flexi pipe 5/4"×32/40 metal



Quantity (packing)	120 pcs
Quantity (pallet)	1920 pcs
Material	polypropylene

**A770**  
Flexi pipe 6/4"×40/50 plastic



Quantity (packing)	90 pcs
Quantity (pallet)	1440 pcs
Material	polypropylene

**A7992**  
Two-component seal 1" (10 pcs)



Quantity (packing)	10 pcs
Quantity (pallet)	–
Material	elastomer

**A7993**  
Flexi pipe holder (10 pcs)



Quantity (packing)	10 pcs
Quantity (pallet)	–
Material	polypropylene



# WC accessories

WC flexi connectors	202
WC connectors	202
Air admittance heads	204
Bath access doors	205



VIDEO

**A97**

Flexible connector for floor-standing WC, 80–110 mm × 90–110 mm, length 280–550 mm, PP, white



Quantity (packing)	20 pcs
Quantity (pallet)	320 pcs
Material	polypropylene

**A97L**

Flexible connector for floor-standing WC, 70–110 mm × 90–110 mm, length 260–645 mm, PP, white



Quantity (packing)	14 pcs
Quantity (pallet)	–
Material	polypropylene

**A97SN**

Flexible connector for floor-standing WC, 70–110 mm × 90–110 mm, length 230–530 mm, PP, white



Quantity (packing)	20 pcs
Quantity (pallet)	320 pcs
Material	polypropylene

**A90-90P50A**

Connector for floor-standing WC, 90° elbow with DN 50 inlet, DN 110, length 230 mm, PP, white



Quantity (packing)	12 pcs
Quantity (pallet)	192 pcs
Material	polypropylene

**A90-90P40/50A** new

Connector for floor-standing WC, 90° elbow with DN 40/50 inlet, DN 110, length 230 mm, PP, white



Quantity (packing)	12 pcs
Quantity (pallet)	192 pcs
Material	polypropylene

**A90-90R** new

Connector for floor-standing WC, adjustable elbow 0–90°, DN 110, length 275 mm, PP, white



Quantity (packing)	10 pcs
Quantity (pallet)	160 pcs
Material	polypropylene

**A970**

Flexible connector for floor-standing WC, 80–110 mm × 90–110 mm, length 280–550 mm, PP, white



Quantity (packing)	20 pcs
Quantity (pallet)	320 pcs
Material	polypropylene

**M9006**

Flexible elbow waste connector for wall-hung WC, 90 mm × 90–110 mm, length 450 mm, PP, white



Quantity (packing)	25 pcs
Quantity (pallet)	400 pcs
Material	polypropylene

**A90-22**

Connector for floor-standing WC, elbow 22°, DN 110, length 165 mm, PP, white



Quantity (packing)	20 pcs
Quantity (pallet)	320 pcs
Material	polypropylene

**A91-150**

Connector for floor-standing WC, straight, DN 110, length 150 mm, PP, white



Quantity (packing)	30 pcs
Quantity (pallet)	480 pcs
Material	polypropylene

**A91-250**

Connector for floor-standing WC, straight, DN 110, length 250 mm, PP, white



Quantity (packing)	20 pcs
Quantity (pallet)	320 pcs
Material	polypropylene

**A91-400**

Connector for floor-standing WC, straight, DN 110, length 400 mm, PP, white



Quantity (packing)	14 pcs
Quantity (pallet)	224 pcs
Material	polypropylene

**A90-45**

Connector for floor-standing WC, 45° elbow, DN 110, length 90 mm, PP, white



Quantity (packing)	20 pcs
Quantity (pallet)	320 pcs
Material	polypropylene

**A90-90A**

Connector for floor-standing WC, 90° elbow, DN 110, length 230 mm, PP, white



Quantity (packing)	12 pcs
Quantity (pallet)	192 pcs
Material	polypropylene

**A90-90P40A**

Connector for floor-standing WC, 90° elbow with DN 40 inlet, DN 110, length 230 mm, PP, white



Quantity (packing)	12 pcs
Quantity (pallet)	192 pcs
Material	polypropylene

**A92**

Connector for floor-standing WC, eccentric 15 mm, DN 110, length 158 mm, PP, white



Quantity (packing)	30 pcs
Quantity (pallet)	480 pcs
Material	polypropylene

**A98**

WC small rosette 110 mm, PP, white



Quantity (packing)	75 pcs
Quantity (pallet)	1200 pcs
Material	polypropylene

**A980**

WC large rosette 110 mm, PP, white



Quantity (packing)	30 pcs
Quantity (pallet)	840 pcs
Material	polypropylene

**A991**  
Connector for floor-standing WC, straight, 110 mm, length 125 mm, PP, white



Quantity (packing)	35 pcs
Quantity (pallet)	560 pcs
Material	polypropylene

**A991-20**  
Connector for floor-standing WC, eccentric 20 mm, 110 mm, length 125 mm, PP, white



Quantity (packing)	35 pcs
Quantity (pallet)	560 pcs
Material	polypropylene

**S1642-ND**  
WC connection cuff



Quantity (packing)	120 pcs
Quantity (pallet)	-
Material	TPE

**APH110**  
Air admittance valve DN 110



Quantity (packing)	50 pcs
Quantity (pallet)	800 pcs
Material	polypropylene

**AVD001**  
Bath access door 150x150, white



Quantity (packing)	60 pcs
Quantity (pallet)	1680 pcs
Material	polypropylene

**AVD002**  
Bath access door 150x300, white



Quantity (packing)	30 pcs
Quantity (pallet)	360 pcs
Material	polypropylene

**A991-40**  
Connector for floor-standing WC, eccentric 40 mm, 110 mm, length 125 mm, PP, white



Quantity (packing)	35 pcs
Quantity (pallet)	560 pcs
Material	polypropylene

**A99**  
WC gasket for floor-standing WC, straight, 90-110 mm, length 100 mm, PVC, white



Quantity (packing)	50 pcs
Quantity (pallet)	800 pcs
Material	PVC

**A990**  
WC gasket for floor-standing WC, eccentric 20 mm, 90-110 mm, length 100 mm, PVC, white



Quantity (packing)	50 pcs
Quantity (pallet)	800 pcs
Material	PVC

**AVD003**  
Bath access door 300x300, white



Quantity (packing)	20 pcs
Quantity (pallet)	320 pcs
Material	polypropylene

**AVD004**  
Bath access door magnetic (under the tiles), adjustable height



Quantity (packing)	100 pcs
Quantity (pallet)	-
Material	metal

**AVD005**  
Bath access door magnetic (under the tiles), basic



Quantity (packing)	100 pcs
Quantity (pallet)	-
Material	metal

**APH40**  
Air admittance valve DN 40



Quantity (packing)	75 pcs
Quantity (pallet)	2100 pcs
Material	polypropylene

**APH50**  
Air admittance valve DN 50



Quantity (packing)	50 pcs
Quantity (pallet)	1200 pcs
Material	polypropylene

**APH75**  
Air admittance valve DN 75



Quantity (packing)	50 pcs
Quantity (pallet)	800 pcs
Material	polypropylene

**APX-B1** new  
PureX - Blue Line 1"

**APX-B3/4**  
PureX - Blue Line 3/4"

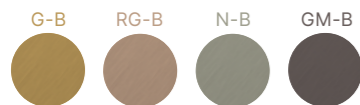


Quantity (packing)	1 pcs
Quantity (pallet)	- pcs
Material	-

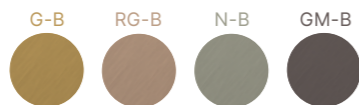
# Product lines

## PROGRAM INDIVIDUAL

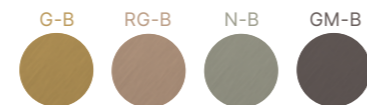
**FUN-RG-B**  
Flush plate for pre-wall installation systems, RED GOLD-brushed matt



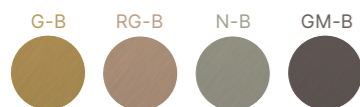
**APZ19-RG-B**  
Shower drain with an edge for two-sided grid, RED GOLD-brushed matt



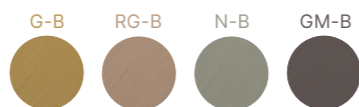
**A400-RG-B**  
Washbasin trap DN 32 DESIGN, round, metal, RED GOLD-brushed matt



**A392-RG-B**  
Washbasin waste CLICK/CLACK G 5/4" with overflow, large plug, metal, RED GOLD-brushed matt



**A55K-RG-B**  
Bath pop-up waste and trap, length 57 cm, metal, RED GOLD-brushed matt



**ARV001-RG-B**  
Angle valve with filter 1/2" x 3/8", round, bronze-antic



# INDIVIDUAL

## YOURS IN EVERY DETAIL

### Perfect match

It is possible that we can match your personal taste with charming pink tones. Or you might prefer a dazzling gold colour? Maybe your natural match is the gun metal. No matter what you decide, you can always rely on certain things. The perfect colour fastness and the resistance to abrasion. And so even your bathroom can be brought to perfection in every last detail.

### CODES FOR COLOUR VARIANTS

<b>G-B</b>	Gold-brushed matt
<b>RG-B</b>	Red gold-brushed matt
<b>N-B</b>	Nickel-brushed matt
<b>GM-B</b>	Gun metal-brushed matt

## PROGRAM BLACK-MATT

**APZ1BLACK**  
Shower drain with an edge for perforated grids, black-matt



**APZ101BLACK Low**  
Shower drain with an edge for perforated grids, black-matt



**PURE BLACK**  
Grid for shower drain, black-matt



**APZ10BLACK Simple**  
Shower drain with an edge for perforated grids, black-matt



**APZ19BLACK Simple**  
Shower drain with an edge for two-sided grid, black-matt (550, 650, 750, 850, 950 mm)



**M1878**  
Flush plate for pre-wall installation systems, black-matt



**M1878-7**  
Flush plate for pre-wall installation systems, black-matt/gold-matt



**M1978**  
Flush plate for pre-wall installation systems, black-matt



**M1978-7**  
Flush plate for pre-wall installation systems, black-matt/gold-matt



**M578**  
Flush plate for pre-wall installation systems, black-matt



**M678**  
Flush plate for pre-wall installation systems, black-matt



**M778**  
Flush plate for pre-wall installation systems, black-matt/chrome-polished



**M778-5**  
Flush plate for pre-wall installation systems, black-matt/gold-polished



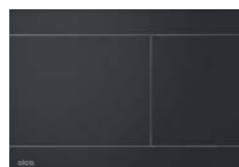
**MOON-BLACK**  
Flush plate for pre-wall installation systems, inox-black matt



**TURN-BLACK**  
Flush plate for pre-wall installation systems, inox-black matt



**FUN-BLACK**  
Flush plate for pre-wall installation systems, inox-black matt



**M278**  
Flush plate for pre-wall installation systems, black-matt



**A400BLACK**  
Washbasin trap DN 32 DESIGN, round, metal, black-matt



**A4320BLACK**  
Tubular washbasin trap DN 32 with G 5/4" union nut, metal, black-matt



**A4000BLACK**  
Extension piece for metal washbasin traps DN 32, length 150 mm, metal, black-matt



**A55BLACK**  
Bath pop-up waste and trap, length 57 cm, metal, black-matt



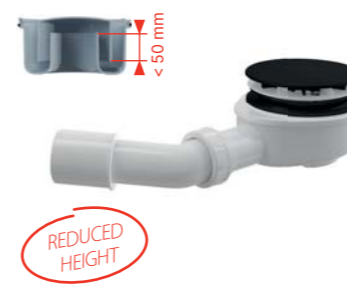
**A507BLACK**  
Bath CLICK/CLACK waste and trap, length 57 cm, metal, black-matt



**A564BLACK**  
Bath pop-up waste and trap with overflow filling, length 57 cm, metal, black-matt



**A491BLACK**  
Shower waste and trap, reduced height, waste outlet 90 mm, DN 50, plastic, black-matt



**A492BLACK**  
Shower waste and trap for thick-walled trays, reduced height, waste outlet 90 mm, DN 50, plastic, black-matt



**A465BLACK-50**  
Shower waste and trap CLICK/CLACK, waste outlet 50 mm, DN 40, metal, black-matt



**A49BLACK**  
Shower waste and trap, waste outlet 90 mm, DN 40, metal, black-matt



**A392BLACK**  
Washbasin waste CLICK/CLACK G 5/4" with overflow, large plug, metal, black-matt



**A396BLACK**  
Washbasin waste G 5/4", for basins without overflow, large non-closing plug, metal, black-matt



**APV31BLACK**  
Floor drain 105x105/50 mm side outlet, stainless steel grid black-matt, combined odour trap SMART



**APV32BLACK**  
Floor drain 105x105/50 mm straight outlet, stainless steel grid black-matt, combined odour trap SMART



**MPV004-BLACK**  
Grid 102x102 mm stainless steel, black-matt



**ARV001-BLACK**  
Angle valve with filter 1/2" x 3/8", square, chrome-polished



**ARV003-BLACK**  
Angle valve with filter 1/2" x 1/2", round, black-matt



**A51B**  
Bath pop-up waste and trap, length 57 cm, metal/plastic, chrome-polished/white-polished



**A51BM**  
Bath pop-up waste and trap, length 57 cm, plastic, white-polished



**A564B**  
Bath pop-up waste and trap with overflow filling, length 57 cm, metal, white-polished



**GL1200**  
GLASS – Grid for shower drain, glass-white



**A400B**  
Washbasin trap DN 32 DESIGN, round, metal, white-polished



**A4000B**  
Extension piece for metal washbasin traps DN 32, length 150 mm, metal, white-polished



**ARV001B**  
Angle valve with filter 1/2" x 3/8", round, white-polished



**ARV003B**  
Angle valve with filter 1/2" x 1/2", round, white-polished

**PROGRAM WHITE-POLISHED**

**M570**  
Flush plate for pre-wall installation systems, white-polished



**M670**  
Flush plate for pre-wall installation systems, white-polished



**M770**  
Flush plate for pre-wall installation systems, white-polished/ chrome-polished



**M775**  
Flush plate for pre-wall installation systems, white-polished/ gold-polished



**MOON-WHITE**  
Flush plate for pre-wall installation systems, inox-white polished



**TURN-WHITE**  
Flush plate for pre-wall installation systems, inox-white polished



**RAY-GL1200**  
Flush plate for pre-wall installation systems, alunox-matt



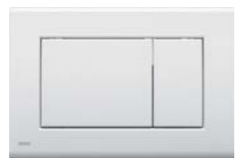
**FUN-WHITE**  
Flush plate for pre-wall installation systems, inox-white polished



**M70**  
Flush plate for pre-wall installation systems, white-polished



**M270**  
Flush plate for pre-wall installation systems, white-polished



**A392B**  
Washbasin waste CLICK/CLACK G 5/4" with overflow, large plug, metal, white-polished



**A395B**  
Washbasin waste CLICK/CLACK G 5/4" without overflow, large plug, metal, white-polished



**A396B**  
Washbasin waste G 5/4", for basins without overflow, large non-closing plug, metal, white-polished



**A47B-50**  
Shower waste and trap, waste outlet 50 mm, DN 40, cover Ø 71 mm, plastic, white-polished



**A47B-60**  
Shower waste and trap, waste outlet 60 mm, DN 40, cover Ø 91 mm, plastic, white-polished



**A49B**  
Shower waste and trap, waste outlet 90 mm, DN 40, plastic, white-polished



**A49K-B**  
Shower waste and trap, waste outlet 90 mm, DN 40, metal, white-polished



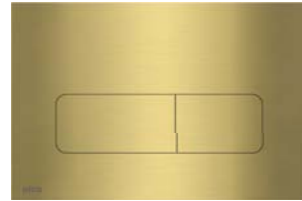
**A465B-50**  
Shower waste and trap CLICK/CLACK, waste outlet 50 mm, DN 40, metal, white-polished



## PROGRAM BRASS

### MOON-BRASS

Flush plate for pre-wall installation systems, brass



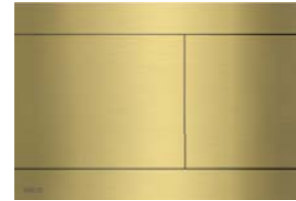
### TURN-BRASS

Flush plate for pre-wall installation systems, brass



### FUN-BRASS

Flush plate for pre-wall installation systems, brass



### M57-BR-M

Flush plate for pre-wall installation systems, BRASS-matt



### APZ10BLACK-BRASS

Simple Shower drain with an edge for perforated grids, brass



## Product news 2026

### AS120/1120 Sádromodul

Pre-wall installation system for toilets with bidet function



### AM122/1120D Sádromodul

Pre-wall installation system for dry build up (plasterboard), split frame



### AM123/1120E

Pre-wall installation system for dry build up (plasterboard), freestanding



### A108F 5:1 SET-01

Set: mounting frame, waste sink inc. grid, insulation, flush plate



### WC AURA

Wall-hung WC



### WS AURA

Waste sink with cover grid



### M9000K-DN110

Connector kit for wall-hung WC, DN 110, length 300 mm, PE, chrome



### M976

Bracket for fixing to the wall, 2 pcs



### V0285-ND

Seal 64x30x2, silicone



**A150PDF-3/8"**

Side inlet fill valve with delayed filling for plastic WC cisterns



**A160PDF-3/8"**

Side inlet fill valve with delayed filling, metal thread, for plastic WC cisterns and pre-wall installation systems



**A02A**

Flush valve for low level cistern (since 2025)



**A930-H-3/8"-F**

Toilet cistern UNI DUAL universal, white + hose



dual  
3 l/6 l

**A940-H-3/8"-F**

Toilet cistern UNI START-STOP universal, white + hose



start  
stop

**A930E-M-3/8"**

Low level toilet cistern ECO DUAL, white (6 l)



dual  
3 l/6 l

**A940E-M-3/8"**

Low level toilet cistern ECO START-STOP, white (6 l)



start  
stop

**P198**

Template for APV3513



**A43S-DN32**

Washbasin furniture trap DN 32 with G 5/4" union nut



**A43SD-DN32**

Wash-basin furniture trap DN 32 with union nut 5/4", double washbasin



**A44MS-DN32**

Adapter pipe with coupling nut 5/4" and connector



**P212-DN40**

Extension piece for plastic traps DN 40, length 265 mm, plastic, white-polished



**A80V-DN40**

Pipe trap with coupling nut G 6/4" x DN 40

FROM  
II.Q



**A80V-DN50**

Pipe trap with coupling nut G 6/4" x DN 50

FROM  
II.Q



**A81V-DN40**

Pipe trap with coupling nut G 6/4" x DN 40 and connector

FROM  
II.Q

**A81V-DN50**

Pipe trap with coupling nut G 6/4" x DN 50 and connector

FROM  
II.Q



**P155Z-G1**

Double connector G 1" x Ø 17-23 mm for connecting washing machine and dishwasher to trap, with non-return valves

**P156Z-G1**

Double connector G 1" x Ø 8-23 mm for connecting washing machine and dryer to trap, with non-return valves



**P210**

Extension for concealed washing machine trap G 1" x G 1"



**APS6V**

Concealed washing machine trap with water inlet, stainless steel, DN 40 and DN 50



**A90-90P40/50A**

Connector for floor-standing WC, 90° elbow with DN 40/50 inlet, DN 110, length 230 mm, PP, white



**A90-90R**

Connector for floor-standing WC, adjustable elbow 0-90°, DN 110, length 275 mm, PP, white



**APX-B1**

PureX - Blue Line 1"

**APX-B3/4**

PureX - Blue Line 3/4"



**PM02022UNI-BOX**  
Wooden stand for pre-wall installation system and flush plates



**PM02024UNI-BOX**  
Stand for flush plates Flat, white



**PM02025EN**  
Exposed WC cisterns stand



**PM02023EN**  
Stand for APZ13 Fit and Go



**PM01006UNI-BLACK**  
Plexi stand for bath trap – A564BLACK



**PM01006EN**  
Plexi large stand for bathtub waste and traps



**PM01007UNI-BLACK**  
Plexi stand for metal program



**PM01003EN**  
Plexi large stand for reduced shower wastes and traps



**PM01005UNI**  
Plexi stand for fill and flush valves



**PM02004EN**  
Large stand for plastic linear shower drains



**PM02021UNI**  
Stand for stainless steel linear shower drains



**PM03004UNI**  
Stand for WC seats



**PM03008UNI**  
Stand for outdoor drains



**PM03001UNI**  
Large wire stand including hooks, legs



**PM04021UNI**  
Presentation board with flush plates



**PM02027EN**  
Stand for APZ115 Marble Low plates



Table of size variants for bath wastes and traps

L=570 • Hmax=370	L=800 • Hmax=600	L=1000 • Hmax=800	L=1200 • Hmax=1000
A501	-	-	-
A502	-	-	-
A51B	A51B-80	A51B-100	A51B-120
A51BM	A51BM-80	A51BM-100	A51BM-120
A51CR	A51CR-80	A51CR-100	A51CR-120
A51CRM	A51CRM-80	A51CRM-100	A51CRM-120
A55K	A55K-80	A55K-100	A55K-120
A55BLACK	A55BLACK-80	A55BLACK-100	A55BLACK-120
A55K-G-P	A55K-G-P-80	A55K-G-P-100	A55K-G-P-120
A55K-G-B	A55K-G-B-80	A55K-G-B-100	A55K-G-B-120
A55K-RG-P	A55K-RG-P-80	A55K-RG-P-100	A55K-RG-P-120
A55K-RG-B	A55K-RG-B-80	A55K-RG-B-100	A55K-RG-B-120
A55K-N-P	A55K-N-P-80	A55K-N-P-100	A55K-N-P-120
A55K-N-B	A55K-N-B-80	A55K-N-B-100	A55K-N-B-120
A55K-GM-P	A55K-GM-P-80	A55K-GM-P-100	A55K-GM-P-120
A55K-GM-B	A55K-GM-B-80	A55K-GM-B-100	A55K-GM-B-120
A55KM	A55KM-80	A55KM-100	A55KM-120
A55KM-WHITE	A55KM-WHITE-80	-	-
A504CKM	A504CKM-80	A504CKM-100	A504CKM-120
A507CKM	A507CKM-80	A507CKM-100	A507CKM-120
A516CKM	A516CKM-80	A516CKM-100	A516CKM-120
A507BLACK	A507BLACK-80	A507BLACK-100	A507BLACK-120
A505CRM	A505CRM-80	A505CRM-100	A505CRM-120
A505CKM	A505CKM-80	A505CKM-100	A505CKM-120

These products can be found on pages 162–165

Table of size variants for bath wastes and traps with an overflow filler mechanism

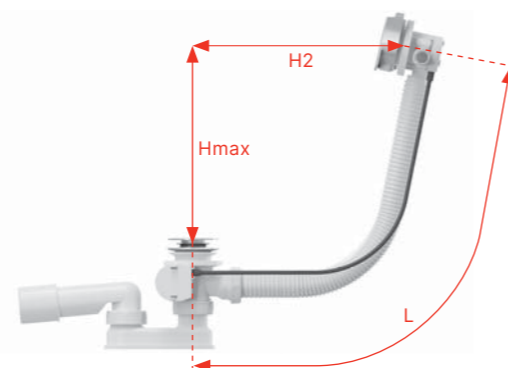
L=570 • Hmax=370	L=800 • Hmax=600	L=1000 • Hmax=800	L=1200 • Hmax=1000
A508CKM	A508CKM-80	A508CKM-100	A508CKM-120
A509CKM	A509CKM-80	A509CKM-100	A509CKM-120
A564B	A564B-80	-	-
A564BLACK	A564BLACK-80	A564BLACK-100	A564BLACK-120
A564CRM1	A564CRM1-80	A564CRM1-100	A564CRM1-120
A564CRM2	A564CRM2-80	A564CRM2-100	A564CRM2-120
A564CRM3	A564CRM3-80	A564CRM3-100	A564CRM3-120
A564KM1	A564KM1-80	A564KM1-100	A564KM1-120
A564KM3	A564KM3-80	A564KM3-100	A564KM3-120
A565CRM1	A565CRM1-80	A565CRM1-100	A565CRM1-120
A565KM1	A565KM1-80	A565KM1-100	A565KM1-120
A565KM3	A565KM3-80	A565KM3-100	A565KM3-120
A566-112122-57	A566-112122-80	A566-112122-100	A566-112122-120
A566-273133-57	A566-273133-80	A566-273133-100	A566-273133-120

These products can be found on pages 165–168

### Determining the length of Alca bath wastes

Determining the necessary length of the bath waste for different bathtub models is very easy. The waste hole in the bottom of the tub and an overflow opening in the wall of the tub are combined perpendiculars (Hmax and H2). By adding the perpendicular lines, then we get the desired waste length (L).

**Hmax + H2 = L**



Maximum bathtub wall thickness for each type of bath waste and trap

Bath wastes and traps	Bathtub wall thickness around the waste (mm)	Bathtub wall thickness around the overflow (mm)	Bath wastes and traps	Bathtub wall thickness around the waste (mm)	Bathtub wall thickness around the overflow (mm)
A501	13	10	A564CRM1	2–10	10
A502	13	10	A564CRM2	2–10	10
A51B	2–10	10	A564CRM3	2–10	10
A51BM	2–10	10	A564KM1	2–10	10
A51CR	2–10	10	A564BLACK	2–10	10
A51CRM	2–10	10	A564KM3	2–10	10
A55K	2–10	10	A565CRM3	10–18	12–26
A55BLACK	2–10	10	A565KM1	10–18	12–26
A55KM	2–10	10	A565KM3	10–18	12–26
A504CKM	12	4–16	A566-112122-57	2–10	10
A507CKM	12	4–16	A566-112122-80	2–10	10
A516CKM	8	4–16	A566-112122-100	2–10	10
A507BLACK	12	4–16	A566-273133-57	2–10	10
A505CRM	12	4–16	A566-112122-120	2–10	10
A505CKM	12	4–16	A566-273133-80	2–10	10
A508CKM	2–10	4–16	A566-273133-100	2–10	10
A509CKM	10–18	4–16	A566-273133-120	2–10	10

Table of variants for shower drains and grids

Width of the shower corner (mm)								
-	600	700	800	900	1000	1100	1200	1500
<b>Linear shower drains: APZ1, APZ1BLACK, APZ101, APZ101BLACK, APZ1001, APZ1101, APZ4, APZ104, APZ1004, APZ1104, APZ2001, APZ12, APZ2012</b>								
APZ1-300	APZ1-550	APZ1-650	APZ1-750	APZ1-850	APZ1-950	APZ1-1050	APZ1-1150	APZ1-1450
APZ1BLACK-300	APZ1BLACK-550	APZ1BLACK-650	APZ1BLACK-750	APZ1BLACK-850	APZ1BLACK-950	APZ1BLACK-1050	APZ1BLACK-1150	APZ1BLACK-1450
APZ101-300	APZ101-550	APZ101-650	APZ101-750	APZ101-850	APZ101-950	APZ101-1050	APZ101-1150	APZ101-1450
APZ101BLACK-300	APZ101BLACK-550	APZ101BLACK-650	APZ101BLACK-750	APZ101BLACK-850	APZ101BLACK-950	APZ101BLACK-1050	APZ101BLACK-1150	APZ101BLACK-1450
-	APZ4-550	APZ4-650	APZ4-750	APZ4-850	APZ4-950	APZ4-1050	APZ4-1150	-
-	APZ104-550	APZ104-650	APZ104-750	APZ104-850	APZ104-950	APZ104-1050	APZ104-1150	-
APZ1001-300	APZ1001-550	APZ1001-650	APZ1001-750	APZ1001-850	APZ1001-950	APZ1001-1050	APZ1001-1150	-
APZ1101-300	APZ1101-550	APZ1101-650	APZ1101-750	APZ1101-850	APZ1101-950	APZ1101-1050	APZ1101-1150	-
-	APZ1004-550	APZ1004-650	APZ1004-750	APZ1004-850	APZ1004-950	APZ1004-1050	APZ1004-1150	-
-	APZ1104-550	APZ1104-650	APZ1104-750	APZ1104-850	APZ1104-950	APZ1104-1050	APZ1104-1150	-
APZ2001-300	APZ2001-550	APZ2001-650	APZ2001-750	APZ2001-850	APZ2001-950	APZ2001-1050	APZ2001-1150	-
-	-	APZ12-650	APZ12-750	APZ12-850	APZ12-950	APZ12-1050	-	-
-	APZ2012-550	APZ2012-650	APZ2012-750	APZ2012-850	-	-	-	-
<b>Grids for: APZ1, APZ1BLACK, APZ101, APZ101BLACK, APZ1001, APZ1101, APZ4, APZ104, APZ1004, APZ1104, APZ2001, APZ12, APZ2012</b>								
LINE-300M	LINE-550M	LINE-650M	LINE-750M	LINE-850M	LINE-950M	LINE-1050M	LINE-1150M	LINE-1450M
PURE-300M	PURE-550M	PURE-650M	PURE-750M	PURE-850M	PURE-950M	PURE-1050M	PURE-1150M	PURE-1450M
PURE-300BLACK	PURE-550BLACK	PURE-650BLACK	PURE-750BLACK	PURE-850BLACK	PURE-950BLACK	PURE-1050BLACK	PURE-1150BLACK	PURE-1450BLACK
BUBLE-300M	BUBLE-550M	BUBLE-650M	BUBLE-750M	BUBLE-850M	BUBLE-950M	BUBLE-1050M	BUBLE-1150M	BUBLE-1450M
<b>Linear shower drains: APZ6, APZ106, APZ1006, APZ1106, APZ16, APZ116, APZ1016, APZ1116</b>								
APZ6-300	APZ6-550	APZ6-650	APZ6-750	APZ6-850	APZ6-950	APZ6-1050	APZ6-1150	-
APZ106-300	APZ106-550	APZ106-650	APZ106-750	APZ106-850	APZ106-950	APZ106-1050	APZ106-1150	-
APZ1006-300	APZ1006-550	APZ1006-650	APZ1006-750	APZ1006-850	APZ1006-950	APZ1006-1050	APZ1006-1150	-
APZ1106-300	APZ1106-550	APZ1106-650	APZ1106-750	APZ1106-850	APZ1106-950	APZ1106-1050	APZ1106-1150	-
APZ16-300	APZ16-550	APZ16-650	APZ16-750	APZ16-850	APZ16-950	APZ16-1050	APZ16-1150	-
APZ116-300	APZ116-550	APZ116-650	APZ116-750	APZ116-850	APZ116-950	APZ116-1050	APZ116-1150	-
APZ1016-300	APZ1016-550	APZ1016-650	APZ1016-750	APZ1016-850	APZ1016-950	APZ1016-1050	APZ1016-1150	-
APZ1116-300	APZ1116-550	APZ1116-650	APZ1116-750	APZ1116-850	APZ1116-950	APZ1116-1050	APZ1116-1150	-
<b>Grids for: APZ6, APZ106, APZ1006, APZ1106, APZ16, APZ116, APZ1016, APZ1116</b>								
DESIGN-300MN	DESIGN-550MN	DESIGN-650MN	DESIGN-750MN	DESIGN-850MN	DESIGN-950MN	DESIGN-1050MN	DESIGN-1150MN	-
POSH-300MN	POSH-550MN	POSH-650MN	POSH-750MN	POSH-850MN	POSH-950MN	POSH-1050MN	POSH-1150MN	-
GL1200-300	GL1200-550	GL1200-650	GL1200-750	GL1200-850	GL1200-950	GL1200-1050	GL1200-1150	-
GL1204-300	GL1204-550	GL1204-650	GL1204-750	GL1204-850	GL1204-950	GL1204-1050	GL1204-1150	-
FLOOR-300	FLOOR-550	FLOOR-650	FLOOR-750	FLOOR-850	FLOOR-950	FLOOR-1050	FLOOR-1150	-

Linear shower drains: APZ15, APZ115 (grid is included)								
APZ15-300	APZ15-550	APZ15-650	APZ15-750	APZ15-850	APZ15-950	APZ15-1050	APZ15-1150	-
APZ115-300	APZ115-550	APZ115-650	APZ115-750	APZ115-850	APZ115-950	APZ115-1050	APZ115-1150	-
Linear shower drains: APZ13-DOUBLE9 Fit and Go, APZ23-DOUBLE9 Fit and Go Wall (grid is included)								
-	APZ13-DOUBLE9-550	APZ13-DOUBLE9-650	APZ13-DOUBLE9-750	APZ13-DOUBLE9-850	APZ13-DOUBLE9-950	-	-	-
-	-	-	APZ23-DOUBLE9-750	APZ23-DOUBLE9-850	APZ23-DOUBLE9-950	-	-	-
Linear shower drains: APZ13 Modular, APZ23 Modular Wall								
-	-	-	APZ13-750	APZ13-850	APZ13-950	-	-	-
-	-	-	APZ23-750	APZ23-850	APZ23-950	-	-	-
Grids for: APZ13 Modular, APZ23 Modular Wall								
-	-	-	DOUBLE-750M	DOUBLE-850M	DOUBLE-950M	-	-	-
-	-	-	ZIP-750M	ZIP-850M	ZIP-950M	-	-	-
Waste system: APZ5 (the cover is included in the waste system)								
-	-	APZ5-EDEN-650	APZ5-EDEN-750	APZ5-EDEN-850	APZ5-EDEN-950	APZ5-EDEN-1050	-	-
-	-	APZ5-SHADE-650	APZ5-SHADE-750	APZ5-SHADE-850	APZ5-SHADE-950	APZ5-SHADE-1050	-	-
-	-	APZ5-TWIN-650	APZ5-TWIN-750	APZ5-TWIN-850	APZ5-TWIN-950	APZ5-TWIN-1050	-	-
Linear shower drains: APZ11, APZ111 (grid is included)								
APZ11-300M	APZ11-550M	APZ11-650M	APZ11-750M	APZ11-850M	APZ11-950M	APZ11-1050M	APZ11-1150M	-
APZ111-300M	APZ111-550M	APZ111-650M	APZ111-750M	APZ111-850M	APZ111-950M	APZ111-1050M	APZ111-1150M	-
Plastic linear shower drains: APZ9, APZ10, APZ10BLACK, APZ10BLACK-BRASS, APZ19, APZ19BLACK, APZ20, APZ30 Wall, APZ2012-OPTION6, APZ2012-OPTION9 (grid is included)								
-	APZ9-550M	APZ9-650M	APZ9-750M	APZ9-850M	APZ9-950M	-	-	-
-	APZ10-550M	APZ10-650M	APZ10-750M	APZ10-850M	APZ10-950M	-	-	-
-	APZ10BLACK-550M	APZ10BLACK-650M	APZ10BLACK-750M	APZ10BLACK-850M	APZ10BLACK-950M	-	-	-
-	APZ10BLACK-550BRASS	APZ10BLACK-650BRASS	APZ10BLACK-750BRASS	APZ10BLACK-850BRASS	APZ10BLACK-950BRASS	-	-	-
-	APZ19-550	APZ19-650	APZ19-750	APZ19-850	APZ19-950	-	-	-
-	APZ19BLACK-550	APZ19BLACK-650	APZ19BLACK-750	APZ19BLACK-850	APZ19BLACK-950	-	-	-
-	APZ19BLACK-550-G-B	APZ19BLACK-650-G-B	APZ19BLACK-750-G-B	APZ19BLACK-850-G-B	APZ19BLACK-950-G-B	-	-	-
-	APZ19BLACK-550-RG-B	APZ19BLACK-650-RG-B	APZ19BLACK-750-RG-B	APZ19BLACK-850-RG-B	APZ19BLACK-950-RG-B	-	-	-
-	APZ19BLACK-550-N-B	APZ19BLACK-650-N-B	APZ19BLACK-750-N-B	APZ19BLACK-850-N-B	APZ19BLACK-950-N-B	-	-	-
-	APZ19BLACK-550-GM-B	APZ19BLACK-650-GM-B	APZ19BLACK-750-GM-B	APZ19BLACK-850-GM-B	APZ19BLACK-950-GM-B	-	-	-
-	APZ20-550	APZ20-650	APZ20-750	APZ20-850	APZ20-950	-	-	-
-	-	APZ30-650M	APZ30-750M	APZ30-850M	-	-	-	-
-	APZ2012-OPTION9-550	APZ2012-OPTION9-650	APZ2012-OPTION9-750	APZ2012-OPTION9-850	-	-	-	-
-	APZ2012-OPTION6-550	APZ2012-OPTION6-650	APZ2012-OPTION6-750	APZ2012-OPTION6-850	-	-	-	-

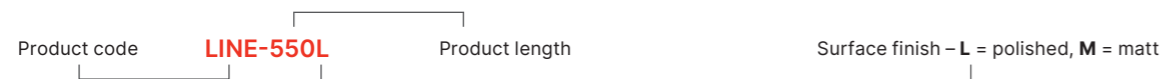
ARZ1 – grids TIME, LIFE, GRACE

These products can be found on pages 86–117

Waste systems: APZ5 with lighting (cover and lighting are included in the waste system package)

APZ5-EDEN+AEZ120-650	White	APZ5-SHADE+AEZ120-650	White	APZ5-TWIN+AEZ120-650	White
APZ5-EDEN+AEZ120-750	White	APZ5-SHADE+AEZ120-750	White	APZ5-TWIN+AEZ120-750	White
APZ5-EDEN+AEZ120-850	White	APZ5-SHADE+AEZ120-850	White	APZ5-TWIN+AEZ120-850	White
APZ5-EDEN+AEZ120-950	White	APZ5-SHADE+AEZ120-950	White	APZ5-TWIN+AEZ120-950	White
APZ5-EDEN+AEZ120-1050	White	APZ5-SHADE+AEZ120-1050	White	APZ5-TWIN+AEZ120-1050	White
APZ5-EDEN+AEZ121-650	Blue	APZ5-SHADE+AEZ121-650	Blue	APZ5-TWIN+AEZ121-650	Blue
APZ5-EDEN+AEZ121-750	Blue	APZ5-SHADE+AEZ121-750	Blue	APZ5-TWIN+AEZ121-750	Blue
APZ5-EDEN+AEZ121-850	Blue	APZ5-SHADE+AEZ121-850	Blue	APZ5-TWIN+AEZ121-850	Blue
APZ5-EDEN+AEZ121-950	Blue	APZ5-SHADE+AEZ121-950	Blue	APZ5-TWIN+AEZ121-950	Blue
APZ5-EDEN+AEZ121-1050	Blue	APZ5-SHADE+AEZ121-1050	Blue	APZ5-TWIN+AEZ121-1050	Blue
APZ5-EDEN+AEZ122-650	Green	APZ5-SHADE+AEZ122-650	Green	APZ5-TWIN+AEZ122-650	Green
APZ5-EDEN+AEZ122-750	Green	APZ5-SHADE+AEZ122-750	Green	APZ5-TWIN+AEZ122-750	Green
APZ5-EDEN+AEZ122-850	Green	APZ5-SHADE+AEZ122-850	Green	APZ5-TWIN+AEZ122-850	Green
APZ5-EDEN+AEZ122-950	Green	APZ5-SHADE+AEZ122-950	Green	APZ5-TWIN+AEZ122-950	Green
APZ5-EDEN+AEZ122-1050	Green	APZ5-SHADE+AEZ122-1050	Green	APZ5-TWIN+AEZ122-1050	Green
APZ5-EDEN+AEZ123-650	Red	APZ5-SHADE+AEZ123-650	Red	APZ5-TWIN+AEZ123-650	Red
APZ5-EDEN+AEZ123-750	Red	APZ5-SHADE+AEZ123-750	Red	APZ5-TWIN+AEZ123-750	Red
APZ5-EDEN+AEZ123-850	Red	APZ5-SHADE+AEZ123-850	Red	APZ5-TWIN+AEZ123-850	Red
APZ5-EDEN+AEZ123-950	Red	APZ5-SHADE+AEZ123-950	Red	APZ5-TWIN+AEZ123-950	Red
APZ5-EDEN+AEZ123-1050	Red	APZ5-SHADE+AEZ123-1050	Red	APZ5-TWIN+AEZ123-1050	Red
APZ5-EDEN+AEZ124-650	Rainbow	APZ5-SHADE+AEZ124-650	Rainbow	APZ5-TWIN+AEZ124-650	Rainbow
APZ5-EDEN+AEZ124-750	Rainbow	APZ5-SHADE+AEZ124-750	Rainbow	APZ5-TWIN+AEZ124-750	Rainbow
APZ5-EDEN+AEZ124-850	Rainbow	APZ5-SHADE+AEZ124-850	Rainbow	APZ5-TWIN+AEZ124-850	Rainbow
APZ5-EDEN+AEZ124-950	Rainbow	APZ5-SHADE+AEZ124-950	Rainbow	APZ5-TWIN+AEZ124-950	Rainbow
APZ5-EDEN+AEZ124-1050	Rainbow	APZ5-SHADE+AEZ124-1050	Rainbow	APZ5-TWIN+AEZ124-1050	Rainbow

The above codes of waste systems with coloured lighting refer to page 117



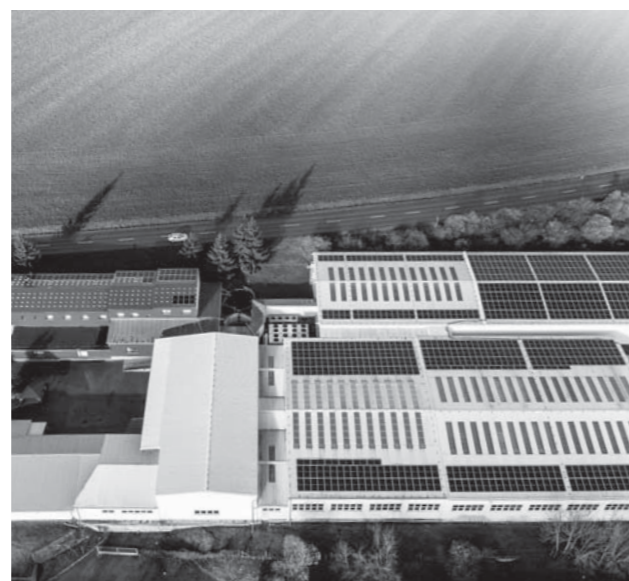
Spare Parts Catalogue

The complete spare parts catalogue is available on our website.

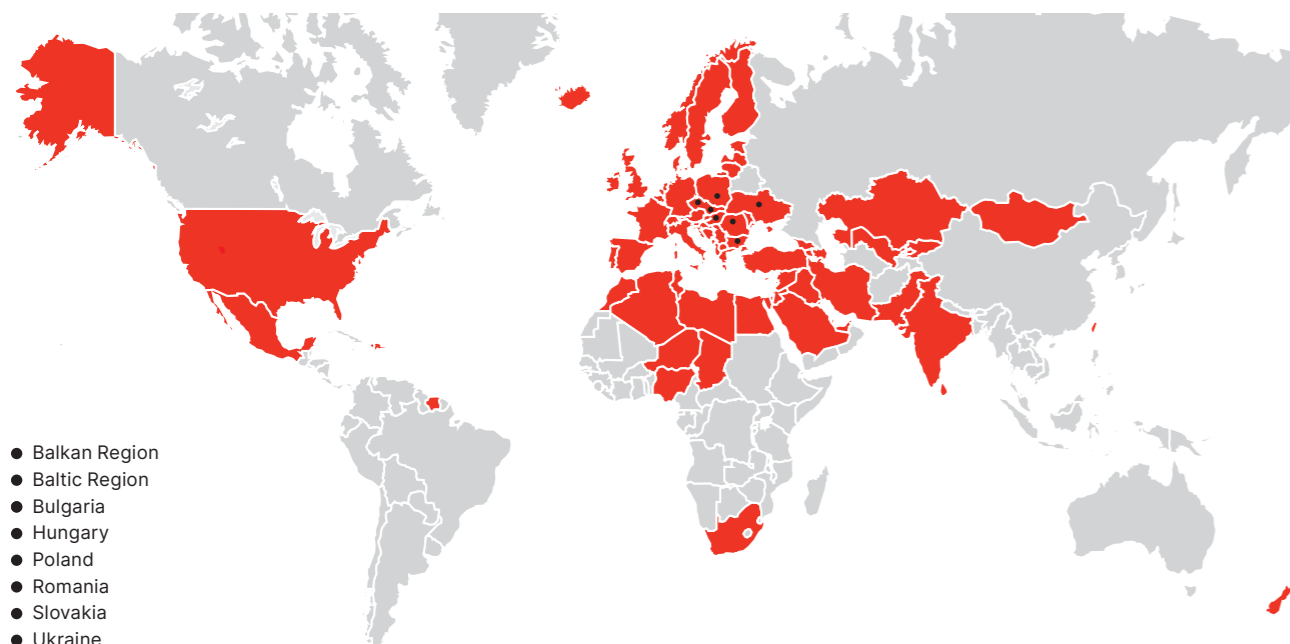


# alca GROUP

Respect, reliability, innovation.  
These are our values. We are Alca Group.



## International branches



Complete assortment of sanitary technology,  
system walls and piping systems

## alca

### Sanitary technology, system walls

Alca was founded in 1998, since 2021 it is part of the Alca Group. The largest manufacturer of sanitary ware in Central and Eastern Europe on an area of over 110,000 m<sup>2</sup>, it produces more than 1,000 sanitary products – valves, traps, WC systems, shower drains, floor drains, toilet seats and other assortment.

Furthermore it is a manufacturer of prefabricated system walls Alcasystem. This modular system for dry construction offers a complex solution for water supply, waste, electrical installation, sanitary technology and sound insulation, making it ideal for medium and large projects.



### Piping systems, floor heating and ceiling cooling systems

FV – Plast was founded in 1990 and has been part of the Alca Group since 2021. Since its establishment, it has been involved in the production of a complete range of pipe systems for water distribution and heating. The product portfolio also includes floor heating and ceiling cooling systems. Currently, FV – Plast is the largest producer of PP-RCT pipes in Central Europe and the only Czech producer of PERT and AL-PERT pipes.

Code	Page	Code	Page	Code	Page	Code	Page
A02	60	A400-RG-B	181	A49K	174	A820-DN40	185
A02A	60	A401	181	A49K MAT	174	A820-DN50	185
A03	60	A402	181	A49K-B	174	A82-DN40	187
A03A	60	A403	181	A501	162	A82-DN50	187
A05-CHROM	59	A41	175	A502	162	A830-DN50/40	185
A06	60	A410	175	A503KM	170	A83-DN50/40	187
A06-850	60	A410P	175	A504CKM	164	A840-DN50/40	185
A06E	60	A411	175	A505CKM	165	A84-DN50/40	187
A07	60	A412-DN40	175	A505CRM	165	A84-DN50/40-ECO	161
A08A	59	A413	175	A506KM	170	A870P-DN40	185
A09B	60	A41P	175	A507BLACK	165	A872P	187
A104/1120	40	A41PR	176	A507CK	164	A872P-ECO	161
A104/850	40	A41R	175	A507CKM	164	A873	187
A104A/1120	40	A42	175	A508CKM	165	A930E-M-3/8"	61
A104AVS/1120	40	A420	175	A509CKM	166	A930-H-1/2"	61
A104B/1120	40	A420P	175	A516CKM	164	A930-H-3/8"	61
A104PB/1120	40	A421	175	A51B	162	A930-H-3/8"-F	61
A105/1120	41	A42P	175	A51BM	162	A930-M-1/2"	61
A105/450	41	A42R	176	A51CR	162	A930-M-3/8"	61
A105/850	41	A43	176	A51CRM	162	A940E-M-3/8"	61
A106/1120	41	A430	176	A52	171	A940-H-1/2"	61
A107/1120	41	A430P	176	A531	169	A940-H-3/8"	61
A107S/1120	41	A431	182	A532-DN40	169	A940-H-3/8"-F	61
A108/1300	42	A432	182	A532-DN50	169	A940-M-1/2"	61
A108F 5:1 SET-01	42	A4320	182	A533-DN50	169	A940-M-3/8"	61
A108F/1100	42	A4320BLACK	182	A53-6/4"	169	A95	61
A108F/1500	42	A434	176	A53-7/4"	169	A950	62
A113/1120	42	A434-DN32	176	A53-DN40	169	A951-230	62
A114/1120	42	A434-ECO	161	A53-DN50	169	A951-390	62
A114S/1120	43	A437	182, 191	A55BLACK	163	ADZ101V	140
A117B	43	A438	182	A55K	163	ADZ101VR	142
A117PB	43	A439	177	A55K-G-B	163	ADZ102V	141
A150-1/2"	58	A43P	176	A55K-GM-B	163	ADZ102VR	143
A150-3/8"	58	A43SD-DN32	176	A55KM	164	ADZ104V-1000	137
A150P-1/2"	58	A43S-DN32	176	A55KM-WHITE	164	ADZ301V	140
A150P-3/8"	58	A43S-DN40	176	A55K-N-B	163	ADZ301VR	142
A150PDF-3/8"	59	A441-DN50/40	183	A55K-RG-B	163	ADZ302V	141
A150UNI	58	A441P-DN50/40	183	A564B	166	ADZ302VR	143
A160-1/2"	58	A442-DN50/40	183	A564BLACK	167	ADZ304V-1000	137
A160-3/8"	58	A442P-DN50/40	183	A564CRM1	166	ADZ331V	140
A160P-3/8"	58	A443-DN50/40	186	A564CRM2	166	ADZ331VR	142
A160PDF-3/8"	59	A443P-DN50/40	186	A564CRM3	166	ADZ332V	141
A160UNI	58	A444-DN50/40	183	A564KM1	166	ADZ332VR	143
A17-1/2"	59	A444P-DN50/40	183	A564KM3	167	ADZ351V	138
A17-3/8"	59	A446-DN50/40	183	A565CRM1	167	ADZ352V	139
A18-1/2"	59	A446P-DN50/40	183	A565KM1	167	ADZ-NA101	137
A18-3/8"	59	A447-DN50/40	184	A566-112122-57	168	ADZ-NA301	137
A2000-CHROM	59	A447P-DN50/40	184	A566-273133-57	168	ADZ-P001	140
A21	191	A448-DN50/40	186	A60	74	ADZ-P002	141
A22	191	A448P-DN50/40	186	A601	74	ADZ-P003	140
A30	188	A449-DN50/40	184	A602	75	ADZ-P004	141
A300	189	A449P-DN50/40	184	A603	75	ADZ-P005	138, 140
A31	177	A44M-DN40	188	A604	75	ADZ-P006	139, 141
A31P	183	A44M-DN40-ECO	161	A604 FLOWER	76	ADZ-P007	138, 140
A32	177	A44MN-DN40	188	A604 SHELL	76	ADZ-P008	139, 141
A328B	179	A44MN-DN40-ECO	161	A604 ZEN	76	ADZ-P011	138, 140
A328CR	179	A44MS-DN32	188	A606	75	ADZ-P012	139, 141
A33	187	A44MS-DN40	188	A64SLIM	77	ADZ-PT101	137
A331	188	A453P	184	A6550	74	ADZ-PT301	137
A33-ECO	161	A454P	184	A6551	74	ADZ-R101	138, 140
A33P	187	A456P	184	A66	75	ADZ-R101R	142
A34	188	A45A	191	A67	76	ADZ-R102	138, 140
A34-ECO	161	A45B	191	A674S	76	ADZ-R102R	142
A3553	74	A45C	191	A678S	75	ADZ-R103	138, 140
A37	188	A45E	191	A67SLIM	76	ADZ-R103R	142
A38	188	A45F-DN32	176, 192	A68	74	ADZ-R121	139, 141
A39	178	A45F-DN40	176, 192	A710	198	ADZ-R121R	143
A390	179	A45G	192	A730	198	ADZ-R122	139, 141
A391	177	A461-50	170	A750	198	ADZ-R122R	143
A392B	177	A462-50	177	A750+A31	177	ADZ-R123	139, 141
A392BLACK	177	A464-DN50	185	A760	198	ADZ-R123R	143
A392C	177	A46-50	171	A770+A33	187	ADZ-R301	138, 140
A392-G-B	178	A465B-50	171	A794	198	ADZ-R301R	142
A392-GM-B	178	A465BLACK-50	171	A795	198	ADZ-R302	138, 140
A392-N-B	178	A465C-50	171	A8000	185	ADZ-R302R	142
A392-RG-B	178	A465CK-50	172	A800-DN40	184	ADZ-R303	138, 140
A393	178	A46-60	172	A800-DN50	184	ADZ-R303R	142
A394	178	A466-50	171	A80-DN32	176	ADZ-R304	138, 140
A395	178	A471CR-50	170	A80-DN40	186	ADZ-R304R	142
A395B	178	A471CR-60	172	A80-DN50	186	ADZ-R321	139, 141
A396	179	A476	170	A80-DN40-ECO	161	ADZ-R321R	143
A396B	179	A47B-50	172	A80-DN50/40	186	ADZ-R322	139, 141
A396BLACK	179	A47B-60	173	A80-DN50-ECO	161	ADZ-R322R	143
A396SN	179	A47CR-50	172	A80V-DN40	186	ADZ-R323	139, 141
A400	180	A47CR-60	172	A80V-DN50	186	ADZ-R323R	143
A4000	182	A48	173	A810-DN40	184	ADZ-R324	139, 141
A4000B	182	A491BLACK	173	A810-DN50	184	AEZ310	51
A4000BLACK	182	A491CR	173	A81-DN40	187	AEZ320	51
A400B	181	A492BLACK	173	A81-DN40-ECO	161	AGV1	134
A400BLACK	181	A492CR	173	A81-DN50	187	AGV1S	134
A400-G-B	181	A49B	174	A81-DN50-ECO	161	AGV2	134
A400-GM-B	181	A49BLACK	174	A81V-DN40	186	AGV2S	134
A400-N-B	181	A49CR	174	A81V-DN50	186		

Code	Page	Code	Page	Code	Page	Code	Page
AGV3	134	APV1324	148	APZ10-950M	103	APZ12-850	109
AGV3S	134	APV140	147	APZ106-300	91	APZ12-950	109
AGV4	134	APV15	153	APZ106-550	91	APZ12-1050	109
AGV4S	134	APV16	153	APZ106-650	91	APZ13-750	97
AGV911	134	APV2	150	APZ106-750	91	APZ13-850	97
AGV911S	135	APV201	151	APZ106-850	91	APZ13-950	97
AGV941	135	APV202	152	APZ106-950	91	APZ13-DOUBLE6-750	96
AGV942	135	APV203	152	APZ106-1050	91	APZ13-DOUBLE6-850	96
AHP80	99	APV2311	149	APZ106-1150	91	APZ13-DOUBLE6-950	96
AIR	50	APV2321	149	APZ10BLACK-550BRASS	102	APZ13-DOUBLE9-550	96
AIR-INOX	50	APV2324	148	APZ10BLACK-650BRASS	102	APZ13-DOUBLE9-650	96
AIR LIGHT	50	APV240	147	APZ10BLACK-750BRASS	102	APZ13-DOUBLE9-750	96
AIZ1	156	APV26	148	APZ10BLACK-850BRASS	102	APZ13-DOUBLE9-850	96
AIZ3	156	APV26C	148	APZ10BLACK-950BRASS	102	APZ13-DOUBLE9-950	96
AKS1	192	APV3	153	APZ10BLACK-550M	102	APZ15-300	93
AKS1Z	192	APV31	149	APZ10BLACK-650M	102	APZ15-550	93
AKS2	192	APV31BLACK	149	APZ10BLACK-750M	102	APZ15-650	93
AKS3	192	APV32	150	APZ10BLACK-850M	102	APZ15-750	93
AKS4	192	APV32BLACK	150	APZ10BLACK-950M	102	APZ15-850	93
AKS5	192	APV3344	147	APZ1101-300	88	APZ15-950	93
AKS6	193	APV3444	148	APZ1101-550	88	APZ15-1050	93
AKS7	193	APV3513	147	APZ1101-650	88	APZ15-1150	93
AKS8-DN40	193	APV4	153	APZ1101-750	88	APZ16-300	90
AKS8-DN50	193	APV4344	147	APZ1101-850	88	APZ16-550	90
ALCA LIGHT	117	APV4444	148	APZ1101-950	88	APZ16-650	90
AM100/1000 Alcamodul	18	APV5111	152	APZ1101-1050	88	APZ16-750	90
AM100/850 Alcamodul	18	APV5211	153	APZ1101-1150	88	APZ16-850	90
AM101/1000 Sádromodul	20	APV5411	150	APZ1104-550	88	APZ16-950	90
AM101/1000-0005 WRAS	29	APV6111	152	APZ1104-650	88	APZ16-1050	90
AM101/1120 Sádromodul	19	APV6211	153	APZ1104-750	88	APZ16-1150	90
AM101/1120-0005 WRAS	29	APV6411	150	APZ1104-850	88	APZ19-550	104
AM101/1120-0006 KIWA	30	APVNO1000	147	APZ1104-950	88	APZ19-650	104
AM101/1120E Sádromodul	24	APZ1001-300	86	APZ1104-1050	88	APZ19-750	104
AM101/1120F Sádromodul	19	APZ1001-550	86	APZ1104-1150	88	APZ19-850	104
AM101/1120W Sádromodul	23	APZ1001-650	86	APZ1-300	86	APZ19-950	104
AM101/1300H Sádromodul	28	APZ1001-750	86	APZ1-550	86	APZ19BLACK-550	105
AM101/850 Sádromodul	20	APZ1001-850	86	APZ1-650	86	APZ19BLACK-650	105
AM101/850-0005 WRAS	29	APZ1001-950	86	APZ1-750	86	APZ19BLACK-750	105
AM101/850W Sádromodul	23	APZ1001-1050	86	APZ1-850	86	APZ19BLACK-850	105
AM102/1000 Jádromodul	21	APZ1001-1150	86	APZ1-950	86	APZ19BLACK-950	105
AM102/1120 Jádromodul	20	APZ1001-1450	86	APZ1-1050	86	APZ19BLACK-550-G-B	104
AM102/1120E Jádromodul	24	APZ1004-650	87	APZ1-1150	86	APZ19BLACK-650-G-B	104
AM102/850 Jádromodul	21	APZ1004-550	87	APZ1-1450	86	APZ19BLACK-750-G-B	104
AM1101/1200 Sádromodul Slim	25	APZ1004-750	87	APZ1004-750	87	APZ19BLACK-850-G-B	104
AM1101P/1200 Sádromodul Slim	25	APZ1004-850	87	APZ1004-850	87	APZ19BLACK-950-G-B	104
AM1112 Basicmodul Slim	25	APZ1004-950	87	APZ1004-950	87	APZ19BLACK-550-N-B	105
AM1112P Basicmodul Slim	26	APZ1004-1050	87	APZ1004-1050	87	APZ19BLACK-650-N-B	105
AM1115/1000 Renovmodul Slim	25	APZ1004-1150	87	APZ1006-300	90	APZ19BLACK-750-N-B	105
AM1115P/1000 Renovmodul Slim	26	APZ1006-300	90	APZ1006-550	91	APZ19BLACK-850-N-B	105
AM112 Basicmodul	140	APZ1006-550	90	APZ1006-650	90	APZ19BLACK-950-N-B	105
AM112-0005 WRAS	30	APZ1006-650	90	APZ1006-750	90	APZ19BLACK-550-RG-B	104
AM115/1000 Renovmodul	19	APZ1006-750	90	APZ1006-850	90	APZ19BLACK-650-RG-B	104
AM115/1000E Renovmodul	24	APZ100					

Code	Page	Code	Page	Code	Page	Code	Page
APZ23-750	97	ASP3-KB	51	M90	35	NIGHT LIGHT-1-SLIM	50
APZ23-850	97	ASP3-KBT	51	M270	48	NIGHT LIGHT-2	50
APZ23-950	97	ASP3-KT	51	M271	48	NIGHT LIGHT-2-SLIM	50
APZ23-DOUBLE9-750	96	ASP4	51	M272	48	NIGHT LIGHT-3	50
APZ23-DOUBLE9-850	96	ASP4-B	51	M275	48	NIGHT LIGHT-3-SLIM	50
APZ23-DOUBLE9-950	96	ASP4-K	51	M278	48	P0009-ND	78
APZ30-650M	103	ASP4-KB	51	M279	50	P0014-ND	64
APZ30-750M	103	ASP4-KT	51	M279S	50	P0048-ND	189
APZ30-850M	103	ATS001	52, 192	M279SB	50	P0049-ND	189
APZ4-550	87	AVZ101-R121	129	M279S-SLIM	50	P046	185
APZ4-650	87	AVZ101-R122	130	M370S	50	P047	185
APZ4-750	87	AVZ101-R123	131	M370SB	50	P066-ND	177, 190
APZ4-850	87	AVZ101-R124	132	M370S-SLIM	50	P067-ND	185, 190
APZ4-950	87	AVZ101-R321	129	M371S	50	P095	99
APZ4-1050	87	AVZ101-R322	130	M371SB	50	P096	78
APZ4-1150	87	AVZ101-R323	131	M371S-SLIM	50	P102	77
APZ5-EDEN-650	117	AVZ101-R324	132	M57-BR-M	48	P103	33
APZ5-EDEN-750	117	AVZ101R-R121R	129	M57-G-M	48	P105	78
APZ5-EDEN-850	117	AVZ101R-R122R	130	M57-GM-B	48	P105B	78
APZ5-EDEN-950	117	AVZ101R-R123R	131	M57-N-M	48	P106	78
APZ5-EDEN-1050	117	AVZ101R-R124R	132	M57-RG-M	48	P106B	78
APZ5-SHADE-650	117	AVZ101R-R321R	129	M570	48	P109	186
APZ5-SHADE-750	117	AVZ101R-R322R	130	M571	48	P113	79
APZ5-SHADE-850	117	AVZ101R-R323R	131	M572	48	P115	33
APZ5-SHADE-950	117	AVZ101R-R324R	132	M575	48	P118	35
APZ5-SHADE-1050	117	AVZ101S-R121R	129	M576	48	P120	52
APZ5-TWIN-650	117	AVZ101S-R122R	130	M578	48	P128	33
APZ5-TWIN-750	117	AVZ101S-R123R	131	M670	48	P138	113
APZ5-TWIN-850	117	AVZ101S-R124R	132	M671	48	P142	113
APZ5-TWIN-950	117	AVZ101S-R321R	129	M672	48	P143	99, 155
APZ5-TWIN-1050	117	AVZ101S-R322R	130	M675	48	P144	99, 155
APZ6-300	90	AVZ101S-R323R	131	M676	48	P145	99, 155
APZ6-550	90	AVZ101S-R324R	132	M678	48	P148	189, 194
APZ6-650	90	AVZ102-R102	124	M70	48	P155Z	190, 194
APZ6-750	90	AVZ102-R103	126	M71	48	P155Z-G1	189
APZ6-850	90	AVZ102-R501	125	M72	48	P156Z	190, 194
APZ6-950	90	AVZ102R-R102S	124	M75	48	P156Z-G1	190
APZ6-1050	90	AVZ102R-R103S	126	M770	48	P157	79
APZ6-1150	90	AVZ103-R104	128	M771	48	P157Z	194
APZ9-550M	102	AVZ103-R201	128	M772	48	P169	33
APZ9-650M	102	AVZ103-R202	127	M775	48	P170	79
APZ9-750M	102	AVZ103-R403	127	M776	48	P179	78
APZ9-850M	102	AVZ103R-R104S	128	M778	48	P192	35
APZ9-950M	102	AVZ103R-R201	128	M778-5	48	P193	35
APZ-S6	98	AVZ103R-R202	127	M900	34	P198	155
APZ-S9	98	AVZ103R-R403	127	M9000	34	P210	194
APZ-S12	98	AVZ104-R401	124	M9000K-DN110	34	P212-DN40	189
ARV001	180	AVZ104-R402	126	M9000K-DN90	34	PM01003EN	217
ARV001B	180	AVZ104R-R401	124	M9001	35	PM01005UNI	217
ARV001-BLACK	180	AVZ104R-R402	126	M9006	33	PM01006EN	217
ARV001-G-B	180	AVZ112-G102	122	M900K-DN110	34	PM01006UNI-BLACK	217
ARV001-GM-B	180	AVZ112-G501	122	M900K-DN90	34	PM01007UNI-BLACK	217
ARV001-N-B	180	AVZ112-R102	122	M900KE-DN110	34	PM02004EN	216
ARV001-RG-B	180	AVZ112-R103	123	M900KE-DN90	34	PM02021UNI	216
ARV002	180	AVZ112-R402	123	M901	34	PM02022UNI-BOX	216
ARV003	180	AVZ112-R501	122	M902	35	PM02023EN	216
ARV003B	180	AVZ-P001	133	M906	33	PM02025EN	216
ARV003-BLACK	180	AVZ-P002	133	M907	33	PM02024UNI-BOX	216
ARV004	180	AVZ-P003	133	M908	33	PM02027EN	217
ARZ1	116	AVZ-P004	133	M909	33	PM03001UNI	217
AS101 Sádromodul	15	AVZ-P007	133	M91	37	PM03004UNI	216
AS101-SET01	15	AVZ-P008	133	M910	37	PM03008UNI	216
AS101-SET01-PR		AVZ-P009	133	M910CR	37	PM04021UNI	217
AS101-SET02	15	AVZ-P010	133	M918	35	RAY	49
AS101-SET02-PR	15	AVZ-P012	133	M920	37	RAY-GL1200	49
AS105/850	15	AVZ-P013	133	M930	37	RAY-GL1204	49
AS120/1120 Sádromodul	14	AVZ-P015	123	M930CR	37	S0156-ND	190
AS-4500	12	AVZ-P016	123	M940	37	S0506-ND	189
AS-P001	12	AVZ-P017	123	M950	37	S0507-ND	189
AS-P002	12	AVZ-P018	123	M968	34	S0556-ND	189
AS-P003	12	FUN	49	M972	43	S0688-ND	190
AS-P004	12	FUN-BLACK	49	M976	36	S1606-ND	191
AS-P005	12	FUN-BRASS	49	MOON	49	SA08A 1/2" CHROM	63
AS-P105	12	FUN-G-B	50	MOON-WHITE	49	SA08A 3/8" CHROM	63
AS-P205	12	FUN-G-P	50	MOON-BLACK	49	SA08AK 1/2" CHROM	63
AS-P305	12	FUN-GM-B	50	MOON-BRASS	49	SA08AK 3/8" CHROM	63
AS-P011	12	FUN-GM-P	50	MPO10	52	SA08AS 1/2" CHROM	63
AS-P012	12	FUN-INOX	49	MPO11	52	SA08AS 3/8" CHROM	63
AS-P013	12	FUN-N-B	50	MPO12	52	SA08ASK 1/2" CHROM	64
AS-P014	13	FUN-N-P	50	MPO13	52	SA08ASK 3/8" CHROM	64
AS-P015	13	FUN-RG-B	50	MPV001	154	SA2000 1/2" CHROM	62
AS-P016	13	FUN-RG-P	50	MPV002	154	SA2000 3/8" CHROM	62
AS-P018	13	FUN-WHITE	49	MPV003	154	SA2000K 1/2" CHROM	62
AS-P021	13	M147	35	MPV004	154	SA2000K 3/8" CHROM	62
AS-P023	13	M148	35	MPV004-BLACK	154	SA2000S 1/2" CHROM	62
AS-P025	13	M1876	49	MPV01	146	SA2000S 3/8" CHROM	63
AS-P031	13	M1876-1	49	MPV012	146	SA2000SK 1/2" CHROM	63
AS-P041	14	M1878	49	MPV013	146	SA2000SK 3/8" CHROM	63
AS-P124	13	M1878-5	49	MPV014	146	SPZ06-ND	103
AS-P215	13	M1976	49	MPV015	146	TURN	49
ASP3	51	M1976-2	49	MPV016	146	TURN-BLACK	49
ASP3-B	51	M1978	49	N0020-ND	64	TURN-BRASS	49
ASP3-K	51	M1978-7	49	NIGHT LIGHT-1	50	TURN-INOX	49

Code	Page
TURN-WHITE	49
V0011-ND	64
V0015-ND	36, 64
V0018-ND	64
V0285-ND	36, 64
V0296-ND	64
WC Alca MEDIC	32
WC AURA	32
WC RIMFLOW	32
WC SOLID	32
WS AURA	32
Z0003-ND	190
Z0004-ND	190
Z0026-ND	62
Z0026-ND	191
Z0137B-ND	78
Z0952-ND	78
Z1023-ND	99
Z1024-ND	99
Z1025-ND	99
Z1272-ND	79

# alca GROUP

alca

Sanitary technology,  
system walls

Czech Republic  
Alcadrain s.r.o.  
Bratislavská 2846  
690 02 Břeclav  
T: +420 519 821 117 – Sales Dept. CZ  
T: +420 519 821 041 – Export Dept.  
alcadrain@alcadrain.cz  
www.alcadrain.com

FV  
PLAST

Piping systems, floor heating  
and ceiling cooling systems

Czech Republic  
FV – Plast, a.s.  
Kozovazská 1049/3  
250 88 Čelákovice  
T: +420 326 706 711  
fv-plast@fv-plast.cz  
www.fvplast.com

Our team of specialists is always on hand to help with design, installation and quote project prices.

The warranty stated for individual products applies only to the functional technical properties of the product, does not apply to wear and tear of the product caused by its normal use or defects caused by non-compliance with general product handling principles or non-compliance with product instructions. Complete warranty conditions at [www.alcadrain.com/guarantee](http://www.alcadrain.com/guarantee).



Czech manufacturer, ISO 9001:2015  
Edition 1/2026/2027 EN, © Alcadrain s.r.o.  
Changes in dimensions and design reserved.